



Chipsmall Limited consists of a professional team with an average of over 10 year of expertise in the distribution of electronic components. Based in Hongkong, we have already established firm and mutual-benefit business relationships with customers from,Europe,America and south Asia,supplying obsolete and hard-to-find components to meet their specific needs.

With the principle of "Quality Parts,Customers Priority,Honest Operation,and Considerate Service",our business mainly focus on the distribution of electronic components. Line cards we deal with include Microchip,ALPS,ROHM,Xilinx,Pulse,ON,Everlight and Freescale. Main products comprise IC,Modules,Potentiometer,IC Socket,Relay,Connector.Our parts cover such applications as commercial,industrial, and automotives areas.

We are looking forward to setting up business relationship with you and hope to provide you with the best service and solution. Let us make a better world for our industry!



Contact us

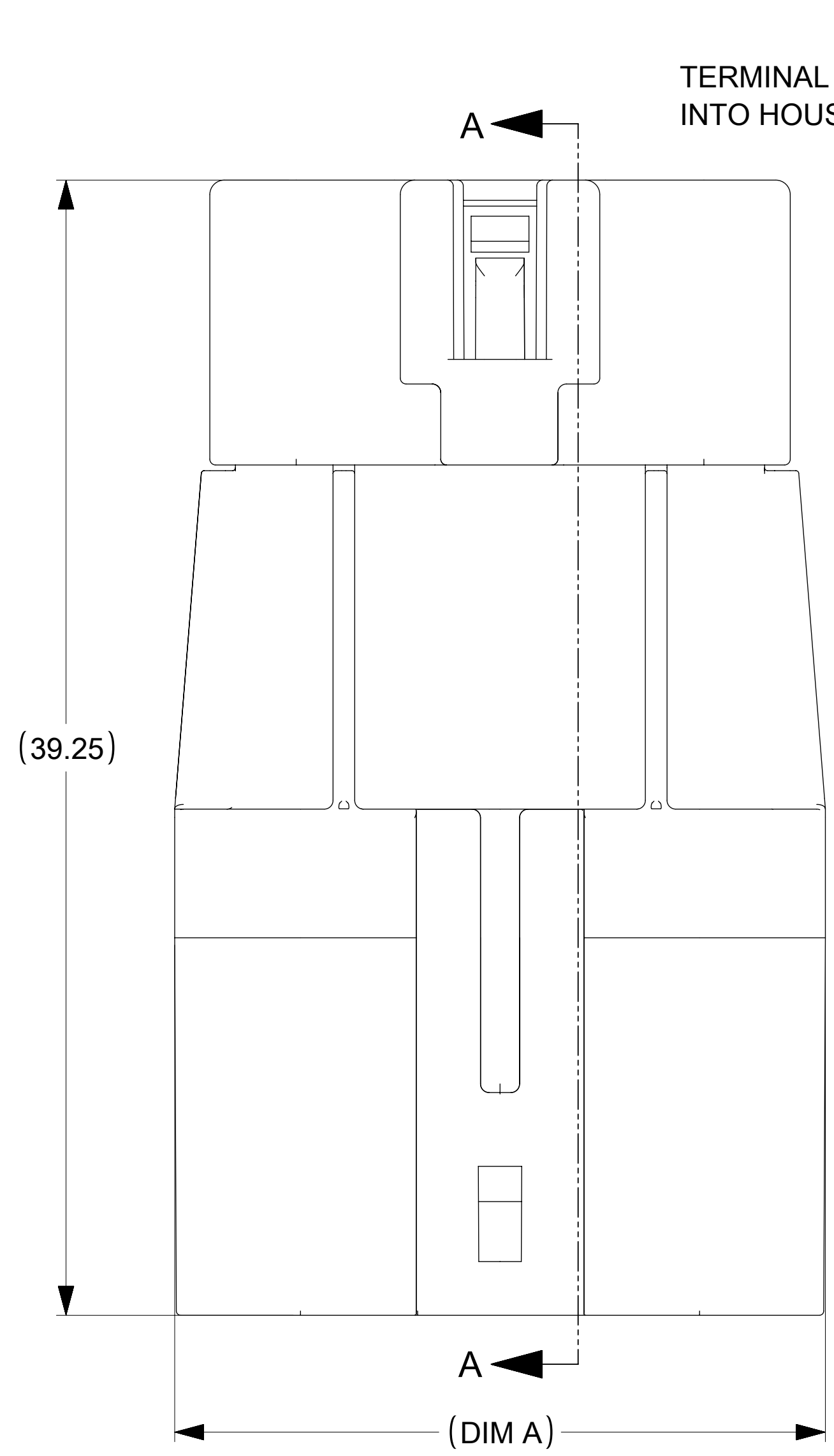
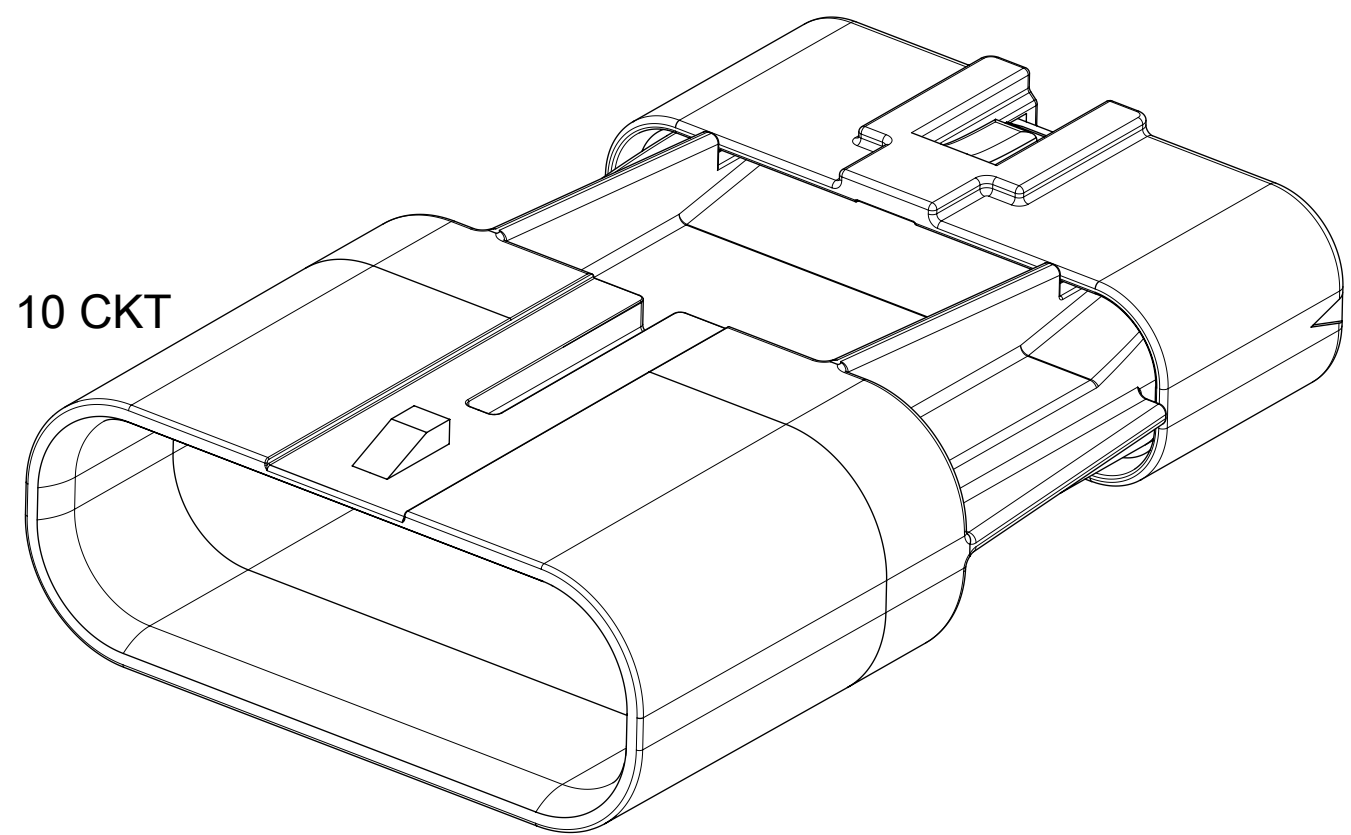
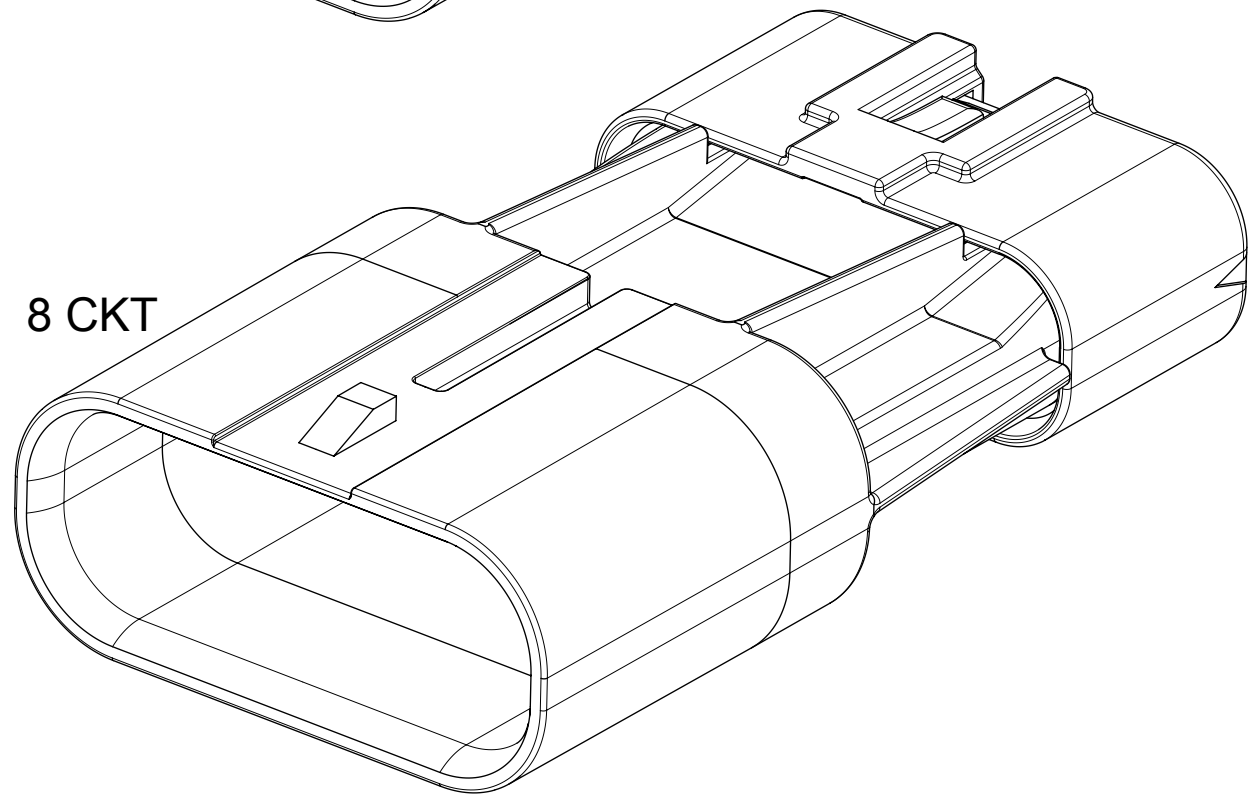
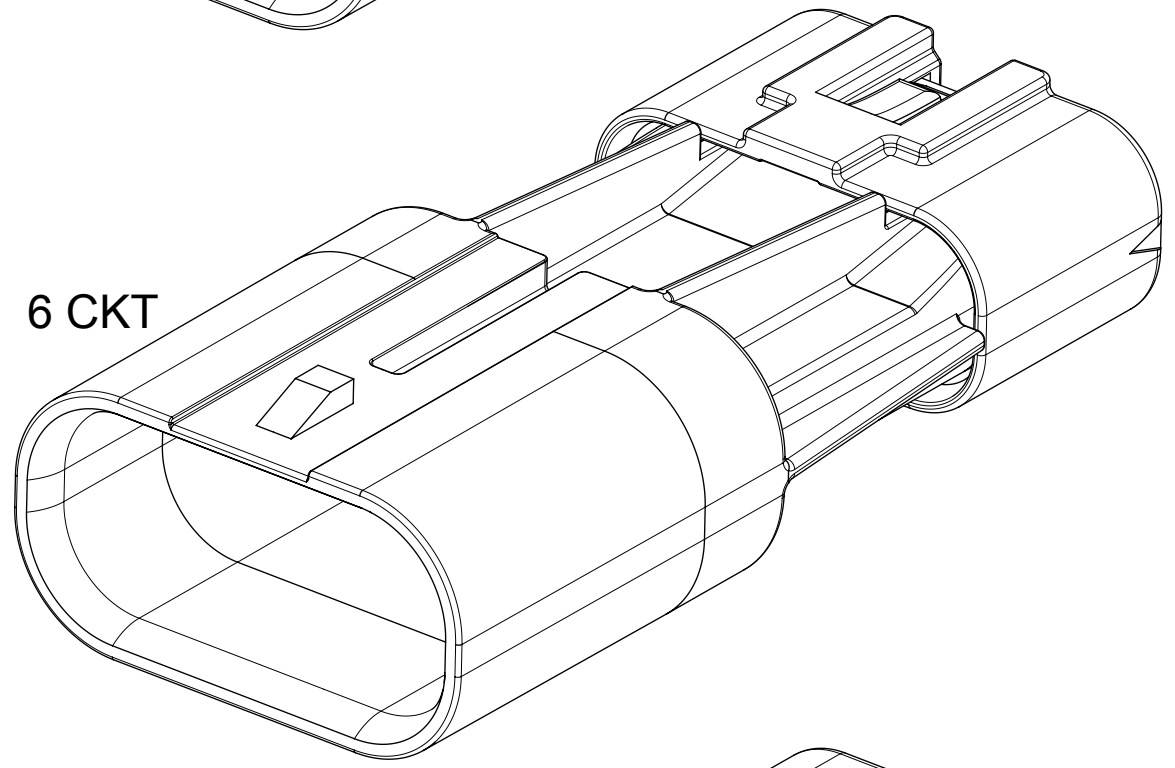
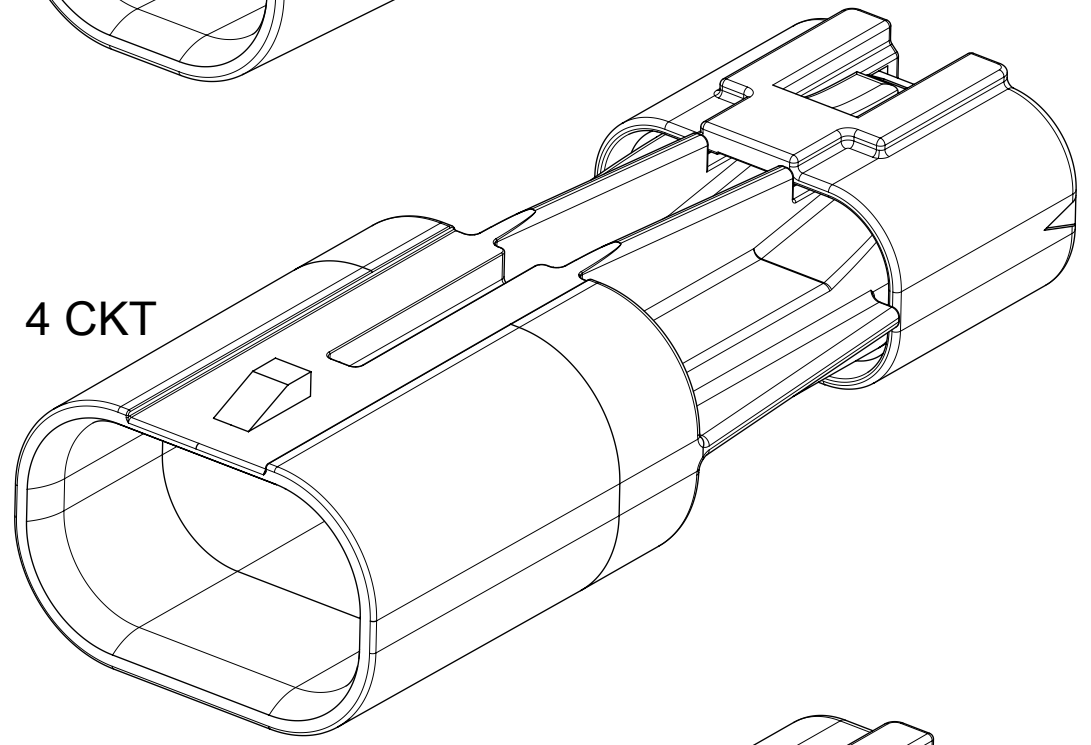
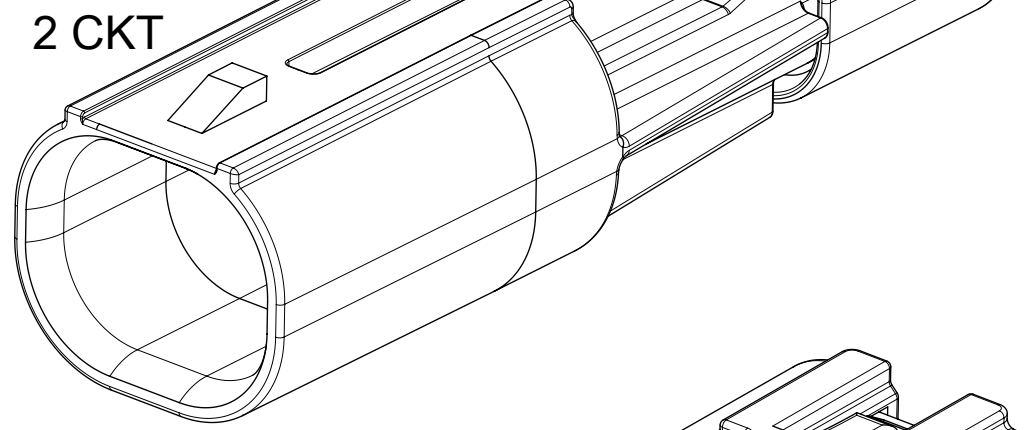
Tel: +86-755-8981 8866 Fax: +86-755-8427 6832

Email & Skype: info@chipsmall.com Web: www.chipsmall.com

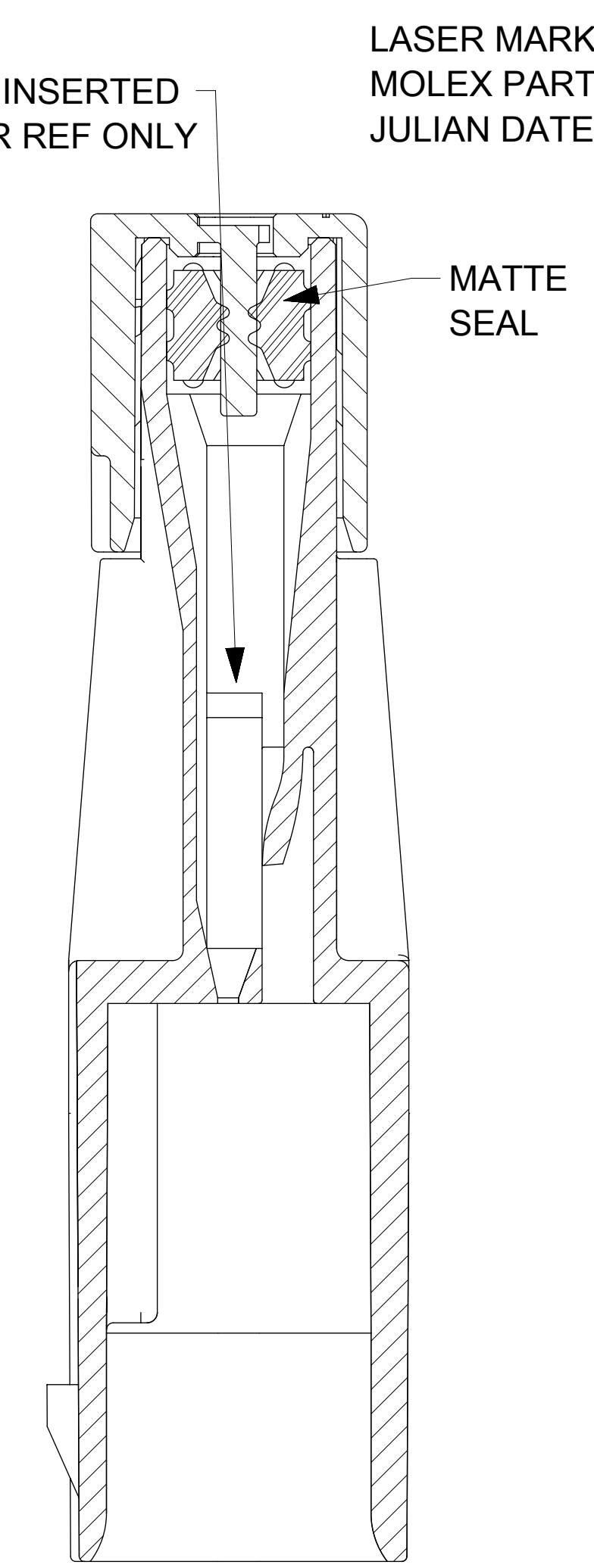
Address: A1208, Overseas Decoration Building, #122 Zhenhua RD., Futian, Shenzhen, China



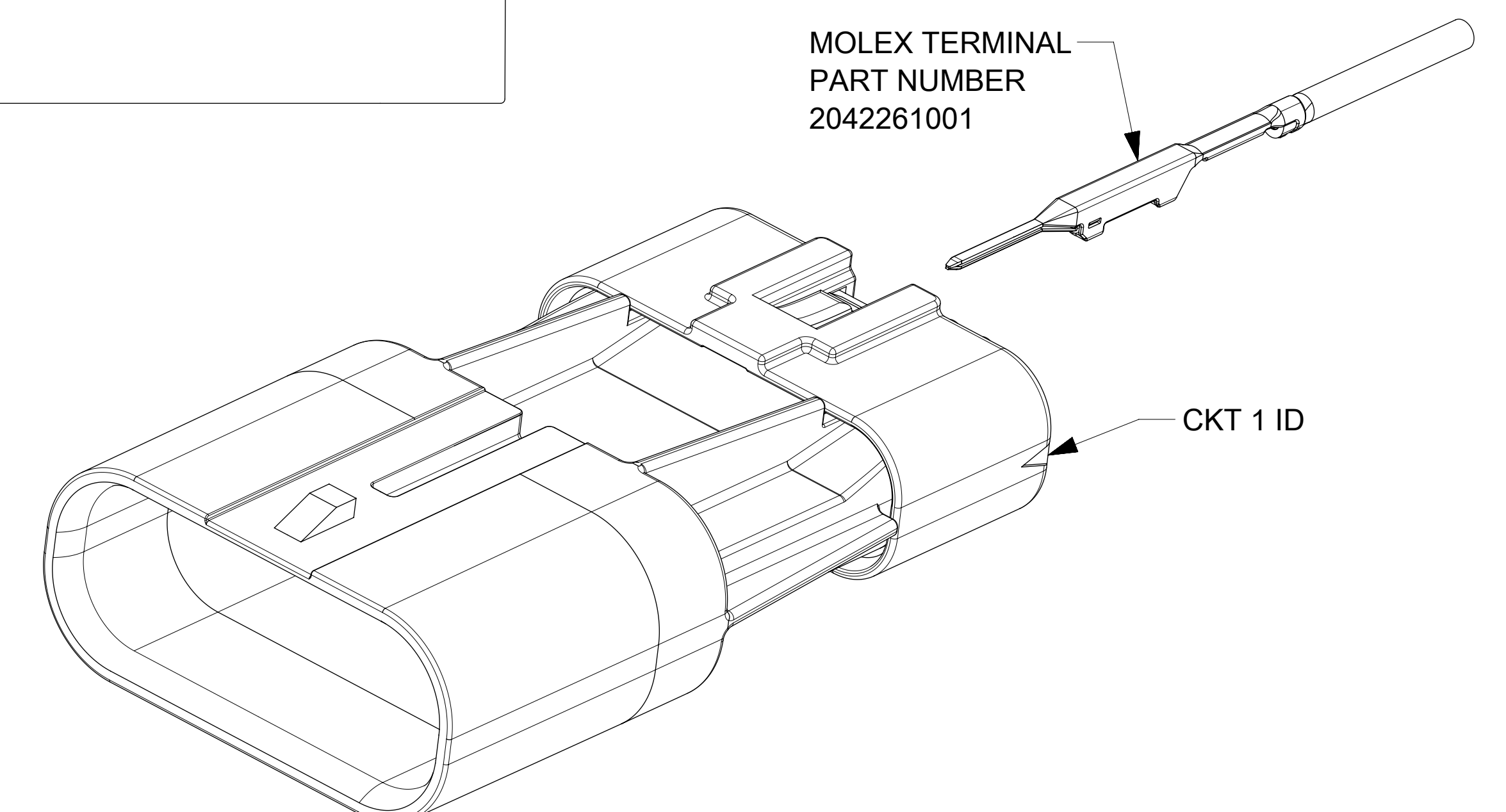
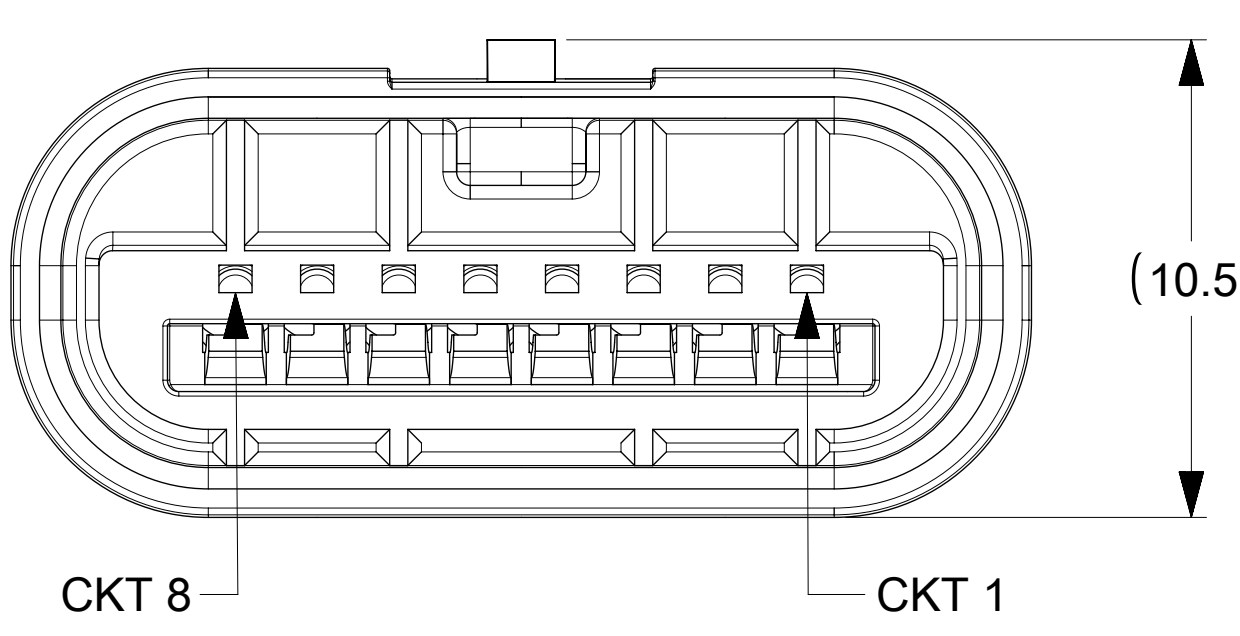
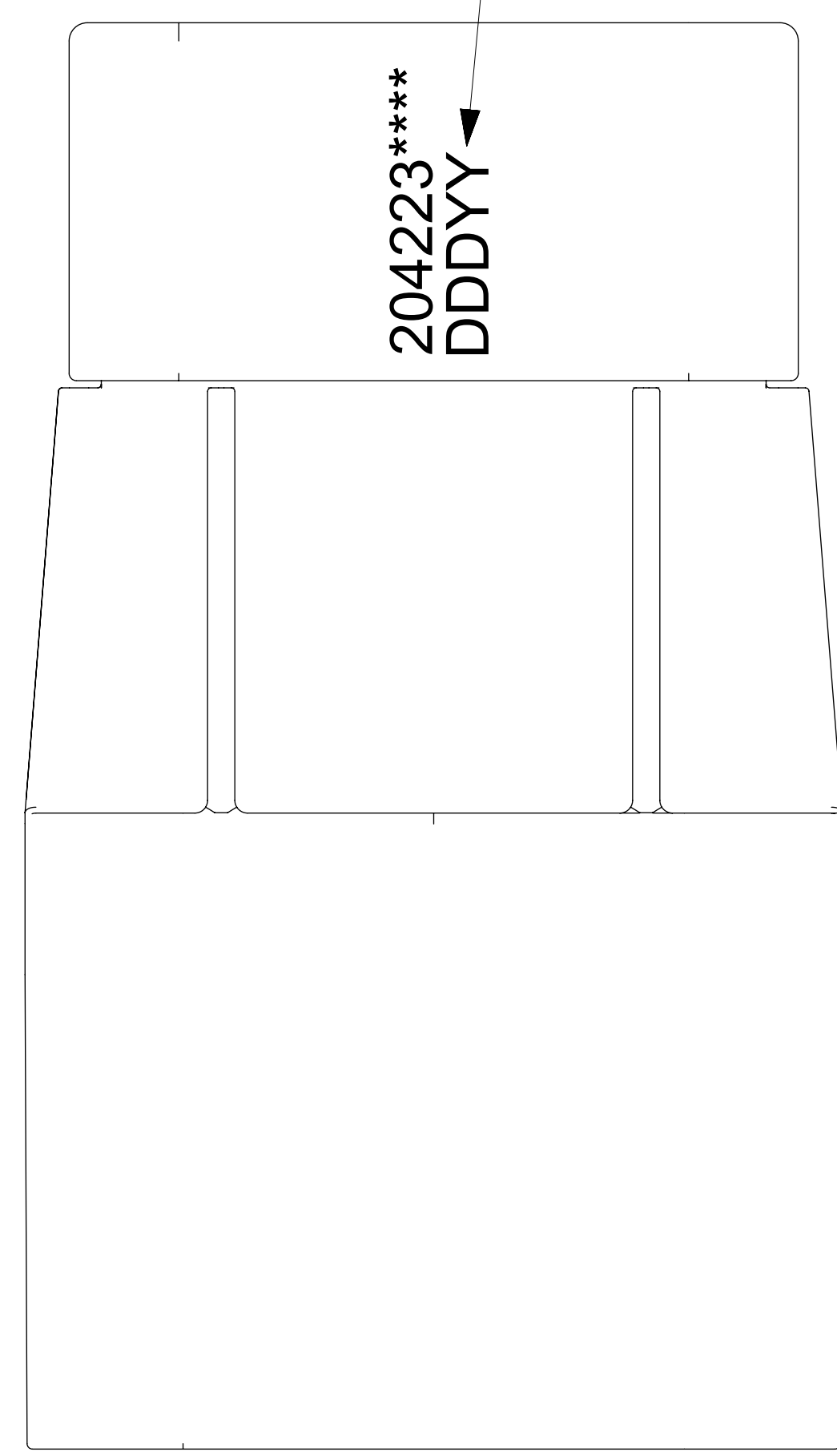
CIRCUIT SIZES
SCALE 4:1



TERMINAL SHOWN INSERTED INTO HOUSING FOR REF ONLY



LASER MARKED THIS SURFACE WITH MOLEX PART NUMBER AND JULIAN DATE CODE: DDDYY



- NOTES:
1. MATERIAL:
HOUSING & REAR SEAL CAP: NYLON, UL94V-0, BLACK
SEALS: INHERENTLY LUBRICATED SILICONE
 2. FINISH: NONE
 3. PRODUCT SPECIFICATION: 2042200000-PS
 4. APPLICATION SPECIFICATION: 2042200000-AS
 5. PACKAGING SPECIFICATION: 2042230000-PK
 6. THIS PART MATES WITH RECEPTACLE SERIES 204220.
 7. THIS PART USES TERMINAL PART NUMBER 2042261001.
 8. THIS PART CONFORMS TO CLASS 'C' REQUIREMENTS OF COSMETIC SPECIFICATION PS-45499-002.

CKT SIZE	MATERIAL NUMBER	VOID IN CKT	DIM A
2	204223-0002	NONE	11.7
4	204223-0004	NONE	15.3
6	204223-0006	NONE	18.9
8	204223-0008	NONE	22.5
10	204223-0010	NONE	26.1
4	204223-4004	4	15.3
6	204223-6006	6	18.9
8	204223-8008	8	22.5
10	204223-1110	10	26.1

THIS DRAWING CONTAINS INFORMATION THAT IS PROPRIETARY TO MOLEX ELECTRONIC TECHNOLOGIES, LLC AND SHOULD NOT BE USED WITHOUT WRITTEN PERMISSION

SYMBOLS: $\nabla = 0$ DIMENSION UNITS: mm SCALE: 6:1

GENERAL TOLERANCES (UNLESS SPECIFIED): ANGULAR TOL \pm °

4 PLACES \pm 3 PLACES \pm 2 PLACES \pm 1 PLACE \pm 0.2 0 PLACES \pm

DRAFT WHERE APPLICABLE MUST REMAIN WITHIN DIMENSIONS

THIRD ANGLE PROJECTION

D-DRAWING SIZE: D-SIZE

SERIES: 204223

EC NO: 177467
DRWN: KSAMIEC 2018/05/30
CHK'D: FSMITH 2018/06/01
APPR: FSMITH 2018/06/01

INITIAL REVISION:
DRWN: TGREGORI 2017/05/03
APPR: RHODGE 2018/01/26

DOCUMENT NUMBER: 2042230000-SD
DOC TYPE: PSD
DOC PART: 000
REVISION: A4

PLUG ASSEMBLY SQUABA 1.8

PRODUCT CUSTOMER DRAWING

MATERIAL NUMBER: SEE CHART
CUSTOMER: GENERAL MARKET
SHEET NUMBER: 1 OF 1