



Chipsmall Limited consists of a professional team with an average of over 10 year of expertise in the distribution of electronic components. Based in Hongkong, we have already established firm and mutual-benefit business relationships with customers from,Europe,America and south Asia,supplying obsolete and hard-to-find components to meet their specific needs.

With the principle of “Quality Parts,Customers Priority,Honest Operation,and Considerate Service”,our business mainly focus on the distribution of electronic components. Line cards we deal with include Microchip,ALPS,ROHM,Xilinx,Pulse,ON,Everlight and Freescale. Main products comprise IC,Modules,Potentiometer,IC Socket,Relay,Connector.Our parts cover such applications as commercial,industrial, and automotives areas.

We are looking forward to setting up business relationship with you and hope to provide you with the best service and solution. Let us make a better world for our industry!



Contact us

Tel: +86-755-8981 8866 Fax: +86-755-8427 6832

Email & Skype: info@chipsmall.com Web: www.chipsmall.com

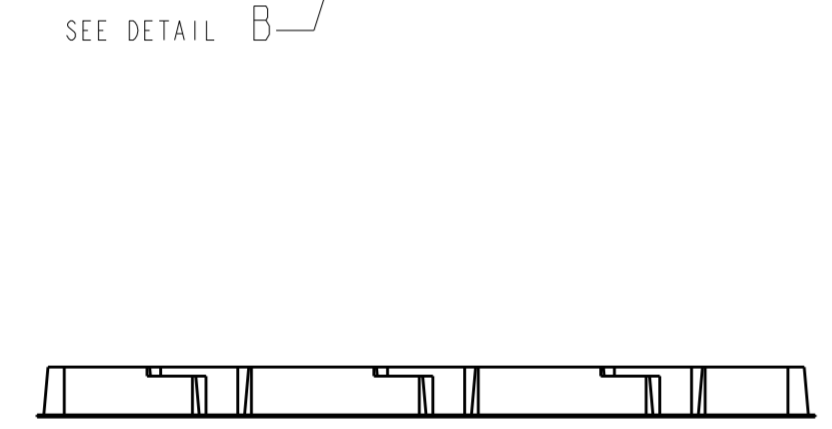
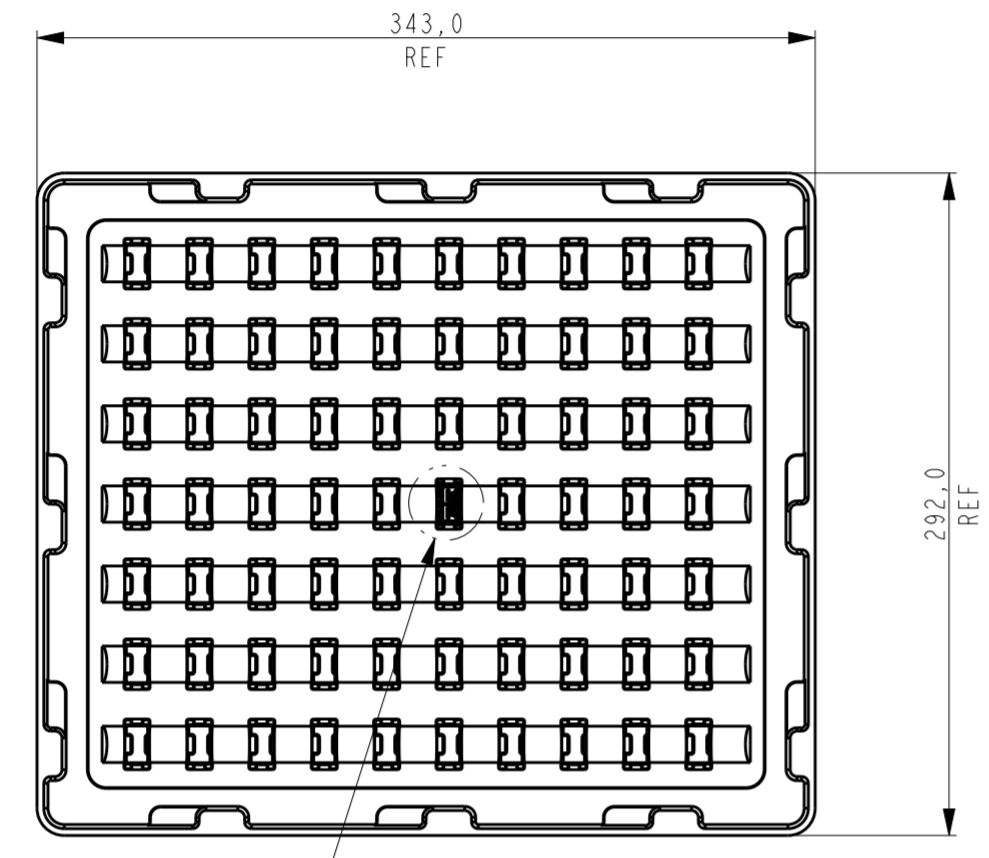
Address: A1208, Overseas Decoration Building, #122 Zhenhua RD., Futian, Shenzhen, China



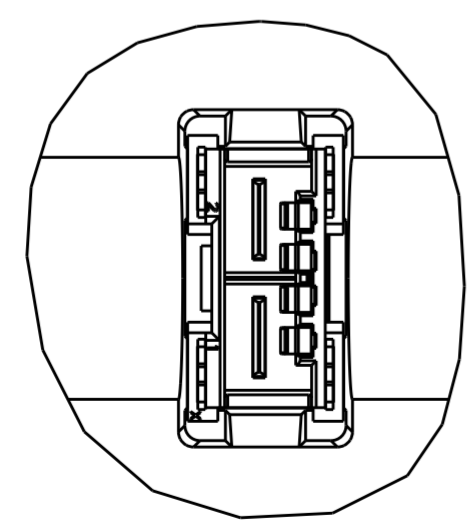
THIS DRAWING IS UNPUBLISHED. RELEASED FOR PUBLICATION
 © COPYRIGHT - TE CONNECTIVITY ALL RIGHTS RESERVED.

LOC		DIST		REVISIONS			
P	LTR	DESCRIPTION	DATE	DWN	APVD		
-	-	SEE SHEET 1	-	-	-		

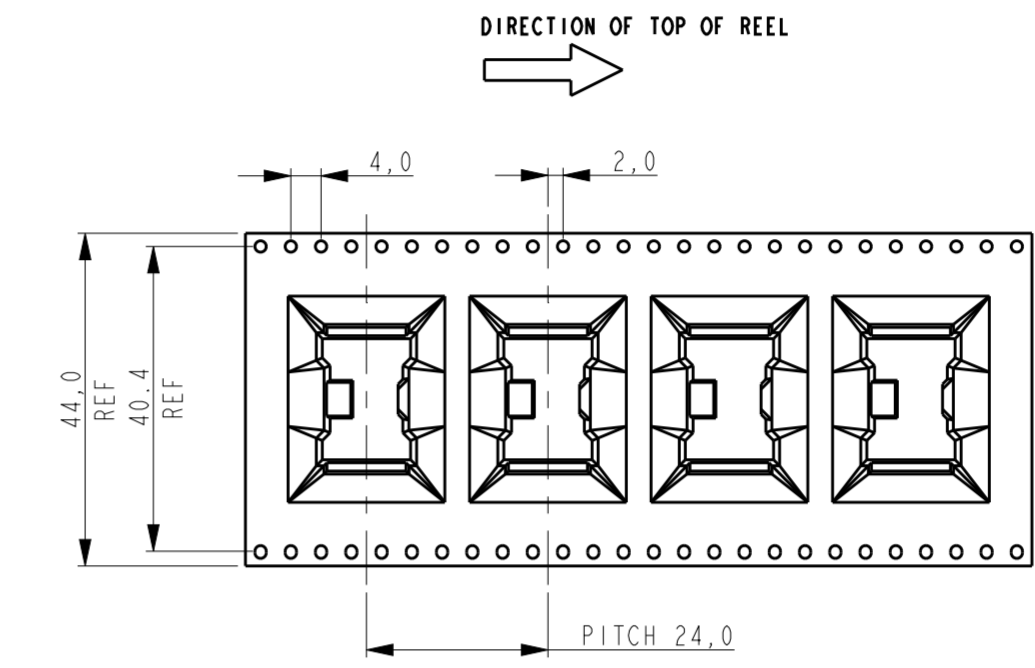
NOTES:
 1. TRAY (PN 1961242-1) PACKAGING IS ONLY FOR PN 2042274-5



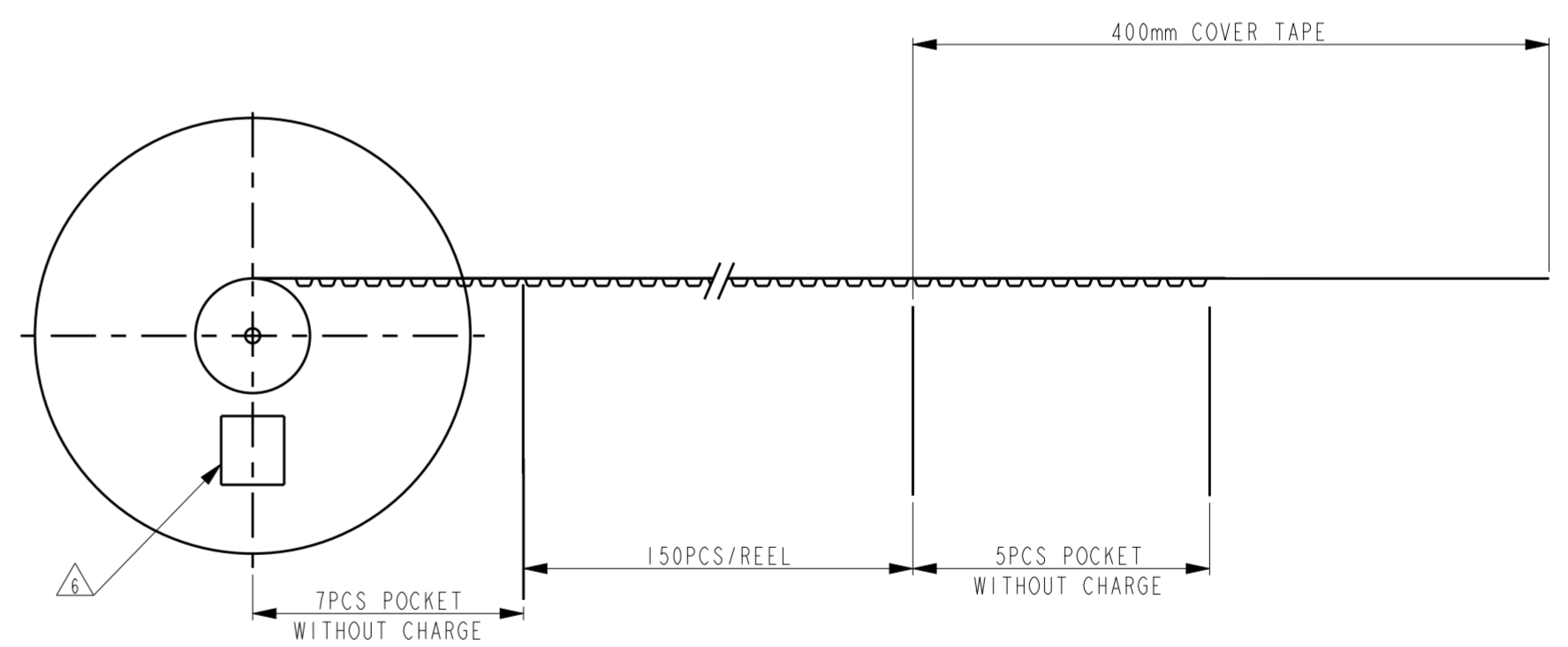
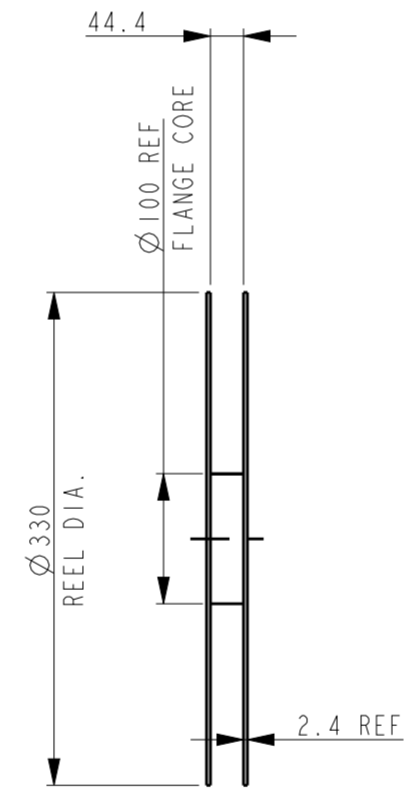
SEE DETAIL B



DETAIL B



DIRECTION OF TOP OF REEL

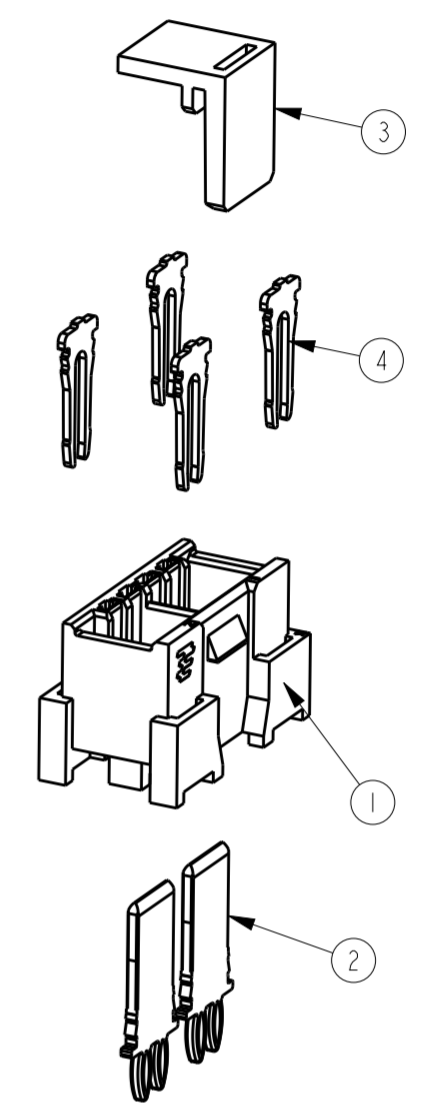
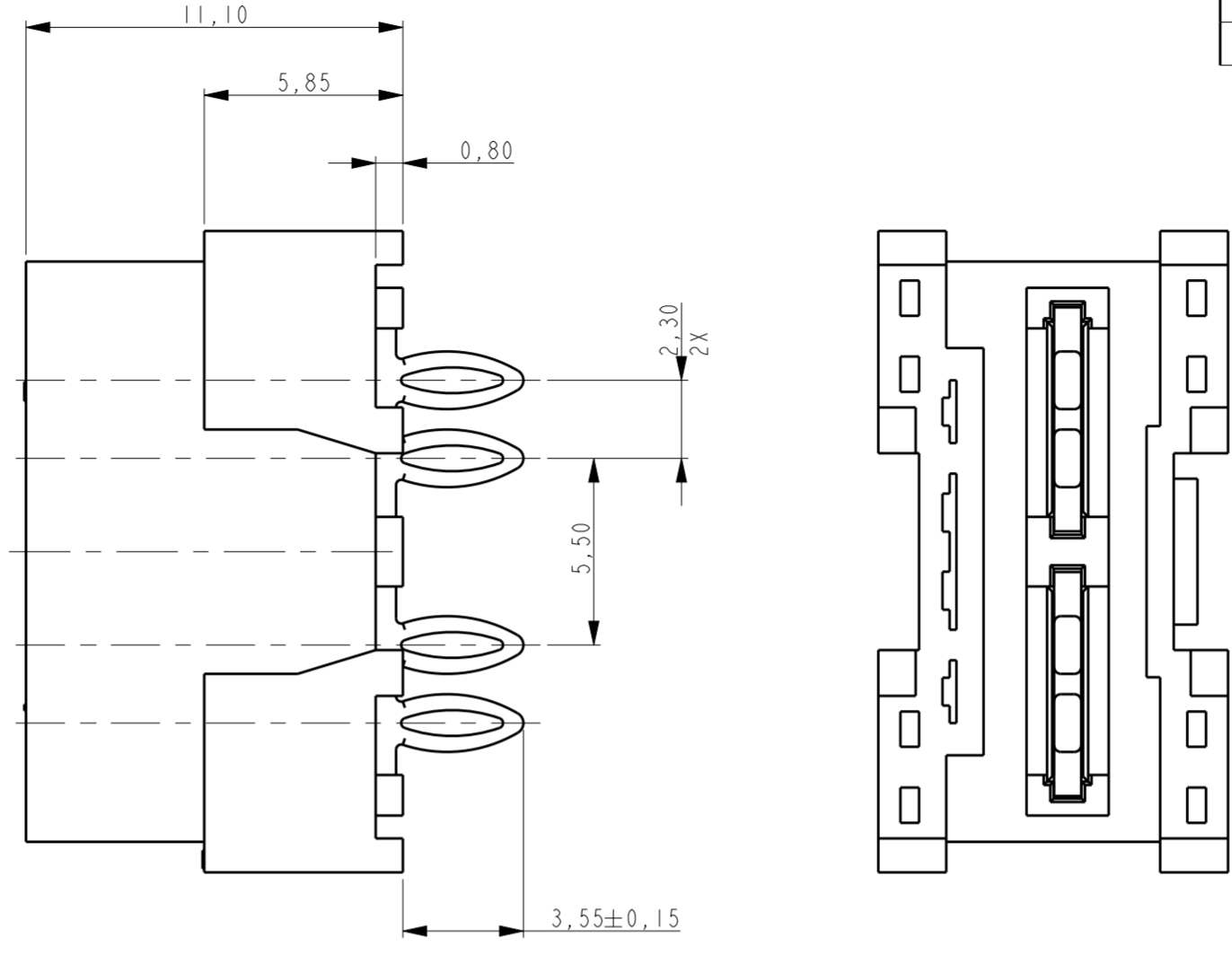
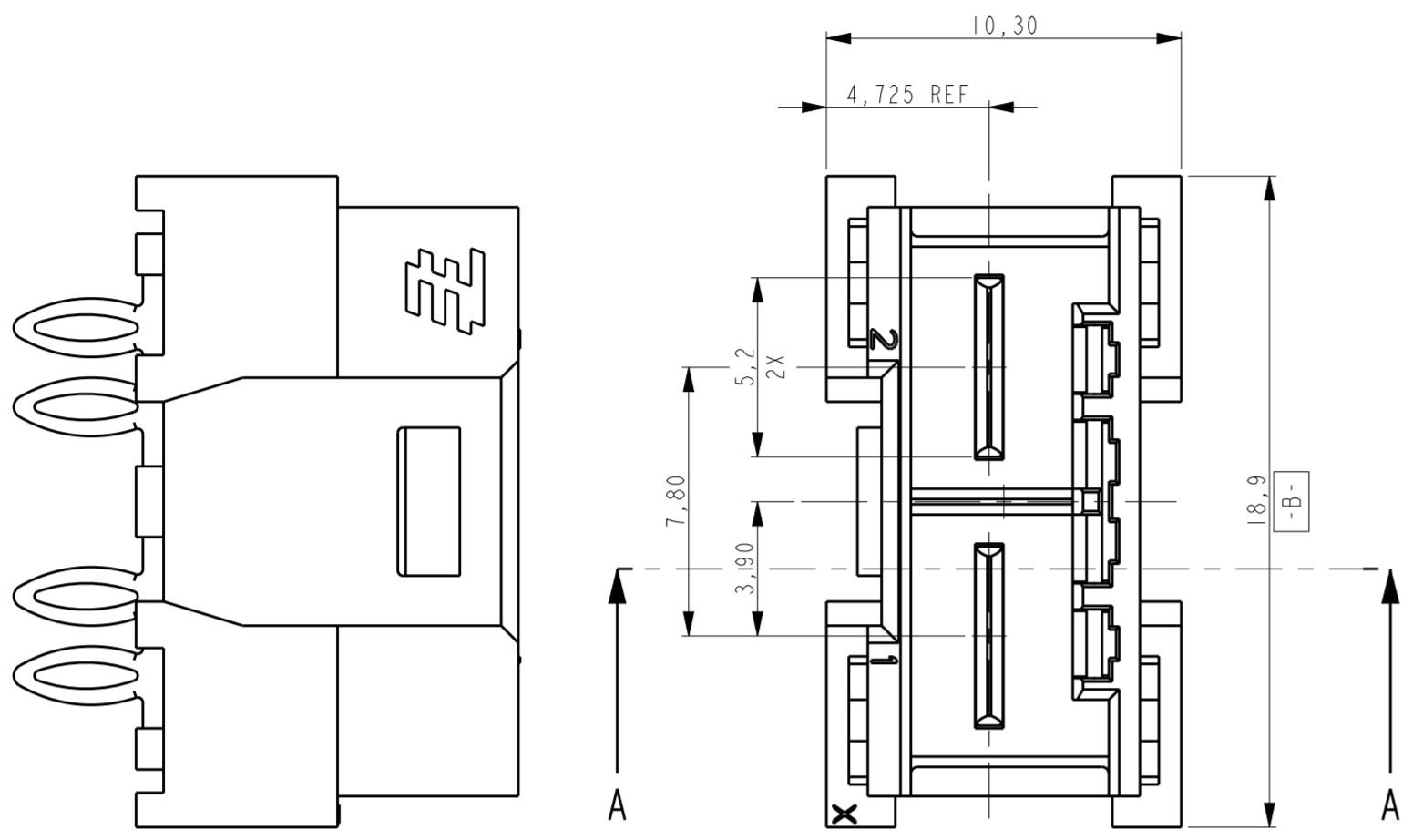


- NOTES:
- MATERIAL: BALCK POLYSTYRENE PLASTIC FOR CARRIER TAPE.
 - 10 SPROCKET HOLES PITCH CUMULATIVE TOLERANCE +/-0,20.
 - CARRIER CAMBER IS WITHIN 1 mm IN 250 mm.
 - ALL DIMENSIONS MEET EIA-481-C REQUIREMENTS.
 - THICKNESS: 0,50±0,05mm.
 - LABEL
 - OPTIONAL UNLESS CODING CONTACT IS REUIRED

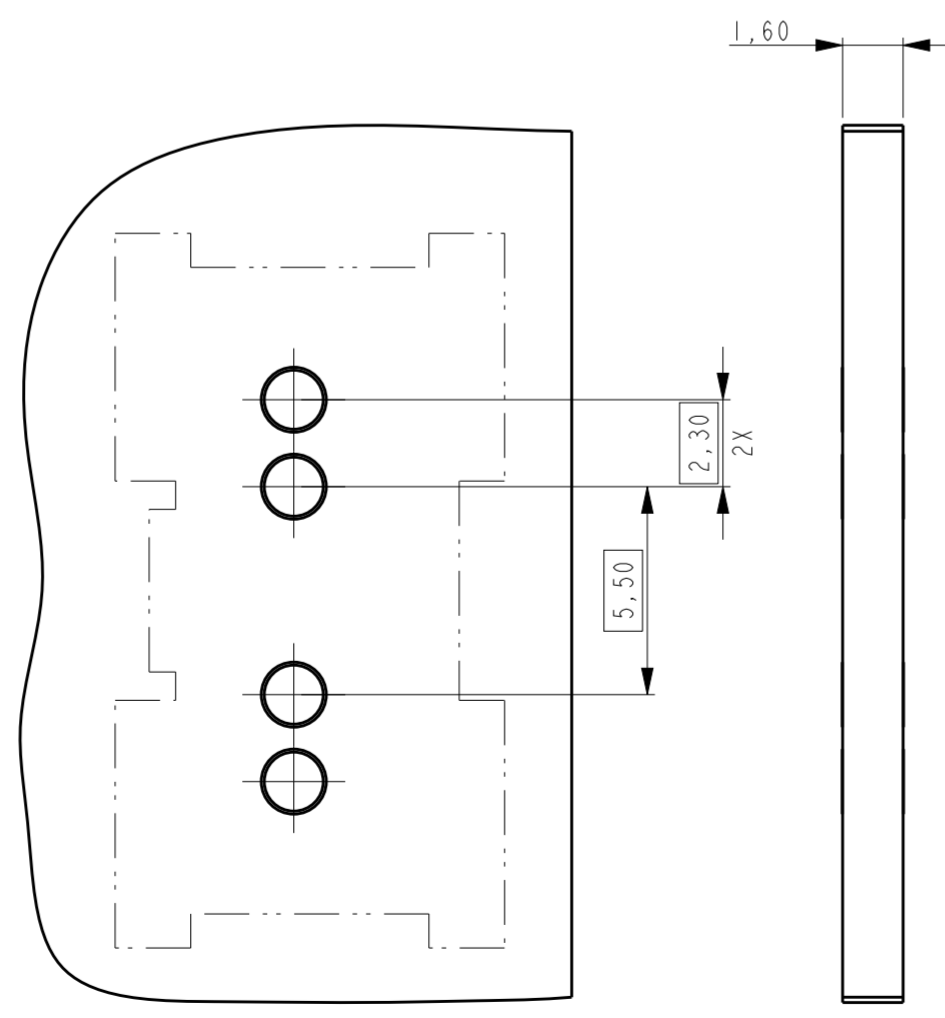
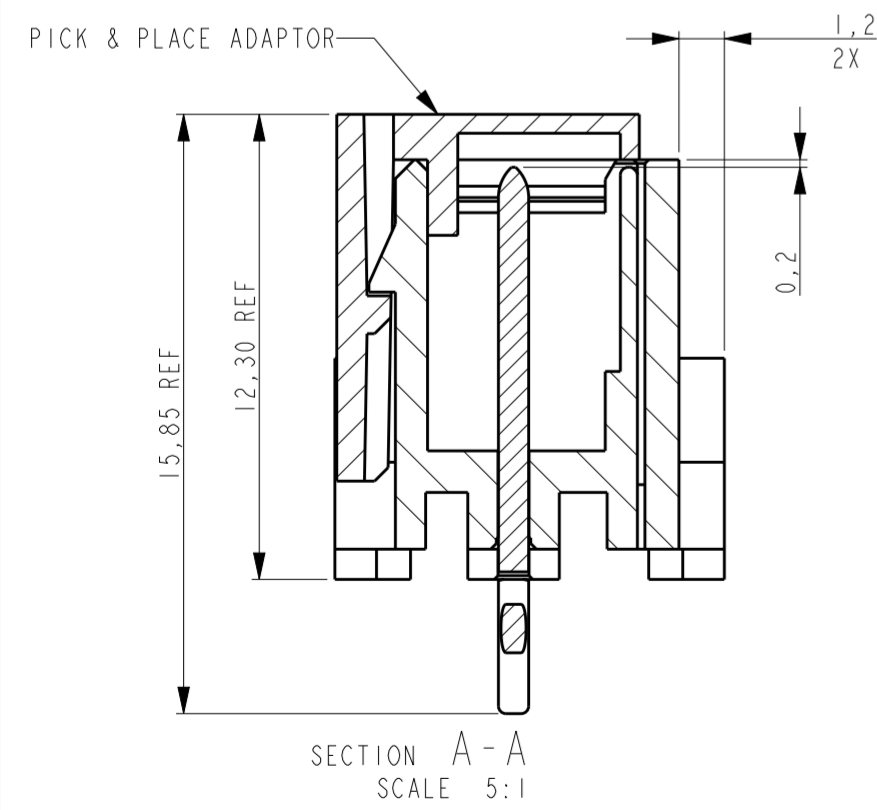
THIS DRAWING IS A CONTROLLED DOCUMENT.		DWN J.VOS 22-Apr-08	TE Connectivity	
		CHK R.LOKKER 22-Apr-08		
DIMENSIONS: mm		APVD R.V.D.SANDT	NAME ELCON Mini, 2-position header vertical	
TOLERANCES UNLESS OTHERWISE SPECIFIED:		PRODUCT SPEC 108-19346	SIZE A2	
0 PLC ±0,5		APPLICATION SPEC 114-19110	CAGE CODE 00779	DRAWING NO C-2042274
1 PLC ±0,1		WEIGHT	RESTRICTED TO	
2 PLC ±0,1		CUSTOMER DRAWING		
3 PLC ±0,1		SCALE 3:10 SHEET 2 OF 3 REV C3		
4 PLC ±				
ANGLES ±				
FINISH				
material_2				
finish_spec_2				

THIS DRAWING IS UNPUBLISHED. RELEASED FOR PUBLICATION
 © COPYRIGHT - TE CONNECTIVITY ALL RIGHTS RESERVED.

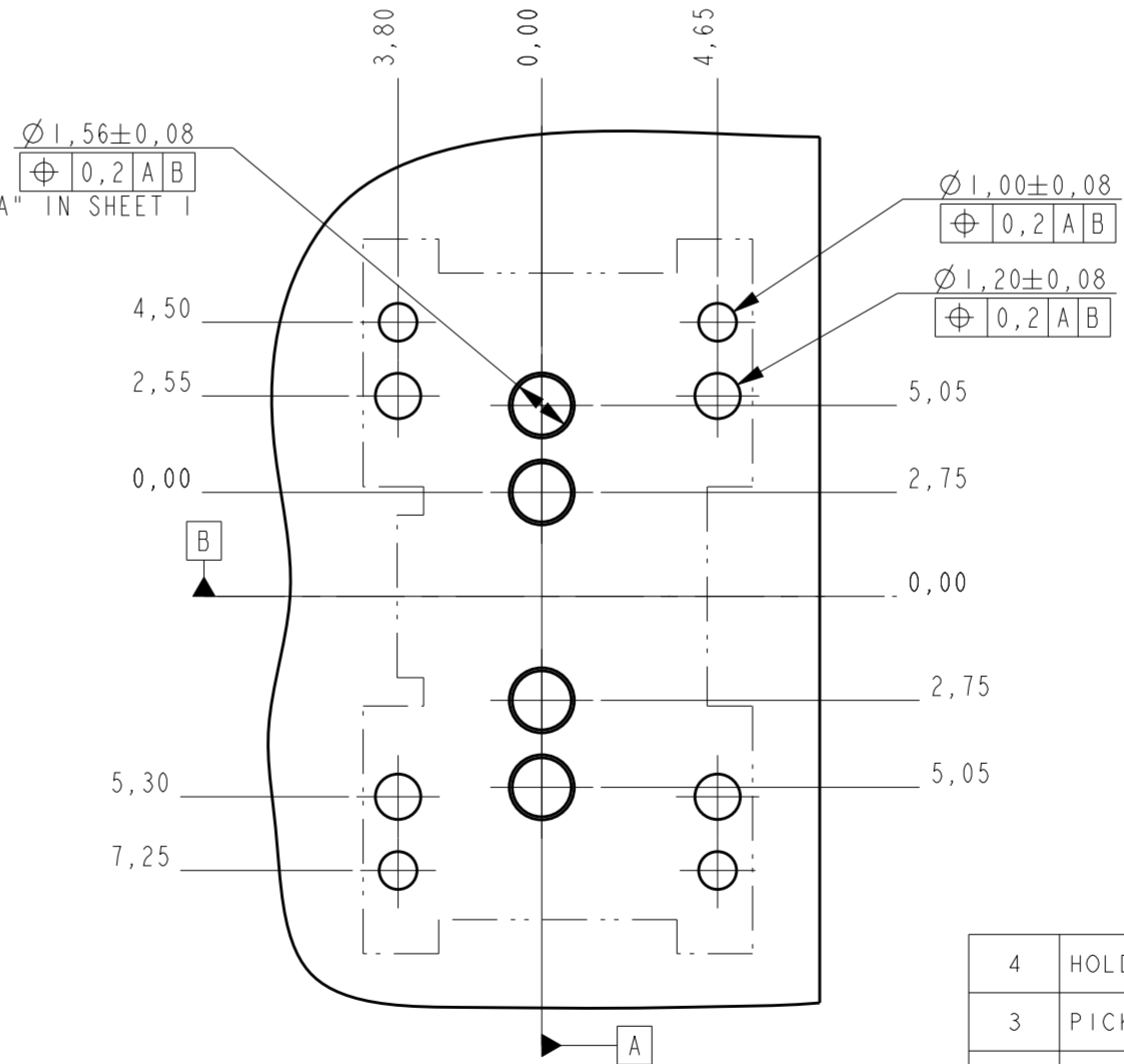
LOC		DIST		REVISIONS			
P	LTR	DESCRIPTION		DATE	DWN	APVD	
-	-	SEE SHEET 1		-	-	-	



2042274-7 AS SHOWN



MORE INFORMATION SEE DETAIL "A" IN SHEET 1



ITEM NO.	DESCRIPTION	MATERIAL	FINISH	QTY
4	HOLD DOWN	DIN1544 CK75	5,0 μm Sn MIN OVER 2,5 μm Ni MIN ALL OVER.	4
3	PICK&PLACE ADAPTOR	POLYAMIDE	NA	1
2	CONTACT POWER TAB	COPPER ALLOY	3,0 μm Ag MIN ALL OVER.	2
1	HOUSING	LCP GF UL94V-0	NA	1

THIS DRAWING IS A CONTROLLED DOCUMENT.

DWN: J.VOS 22-Apr-08
 CHK: R.LOKKER 22-Apr-08
 APVD: R.V.D.SANDT

TE Connectivity

NAME: ELCON Mini, 2-position header vertical

PRODUCT SPEC: 108-19346
 APPLICATION SPEC: 114-19110

SIZE: A2 CAGE CODE: 00779 DRAWING NO: C-2042274 RESTRICTED TO: -
 SCALE: 3:1 SHEET: 3 OF 3 REV: C3

MATERIAL: material_2 FINISH: finish_spec_2 CUSTOMER DRAWING