



Chipsmall Limited consists of a professional team with an average of over 10 year of expertise in the distribution of electronic components. Based in Hongkong, we have already established firm and mutual-benefit business relationships with customers from,Europe,America and south Asia,supplying obsolete and hard-to-find components to meet their specific needs.

With the principle of “Quality Parts,Customers Priority,Honest Operation,and Considerate Service”,our business mainly focus on the distribution of electronic components. Line cards we deal with include Microchip,ALPS,ROHM,Xilinx,Pulse,ON,Everlight and Freescale. Main products comprise IC,Modules,Potentiometer,IC Socket,Relay,Connector.Our parts cover such applications as commercial,industrial, and automotives areas.

We are looking forward to setting up business relationship with you and hope to provide you with the best service and solution. Let us make a better world for our industry!



Contact us

Tel: +86-755-8981 8866 Fax: +86-755-8427 6832

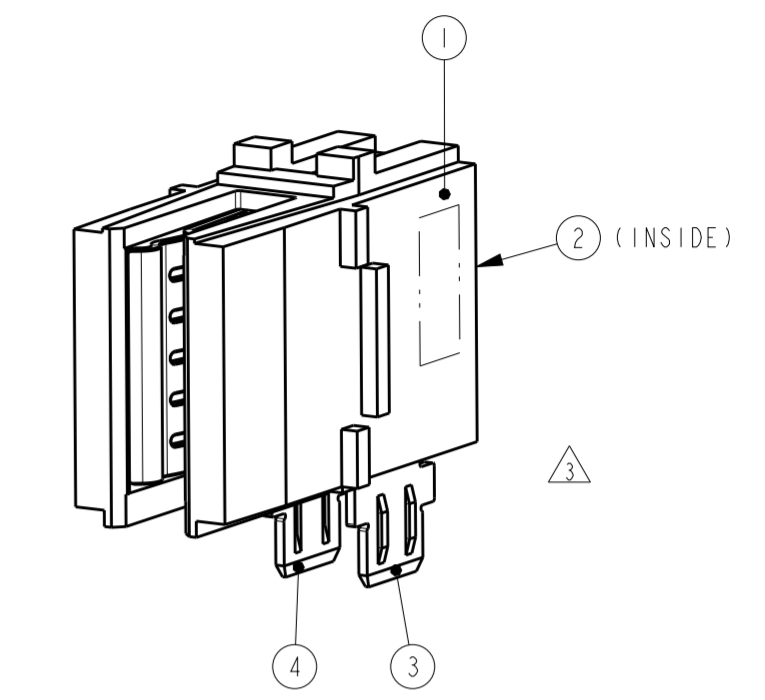
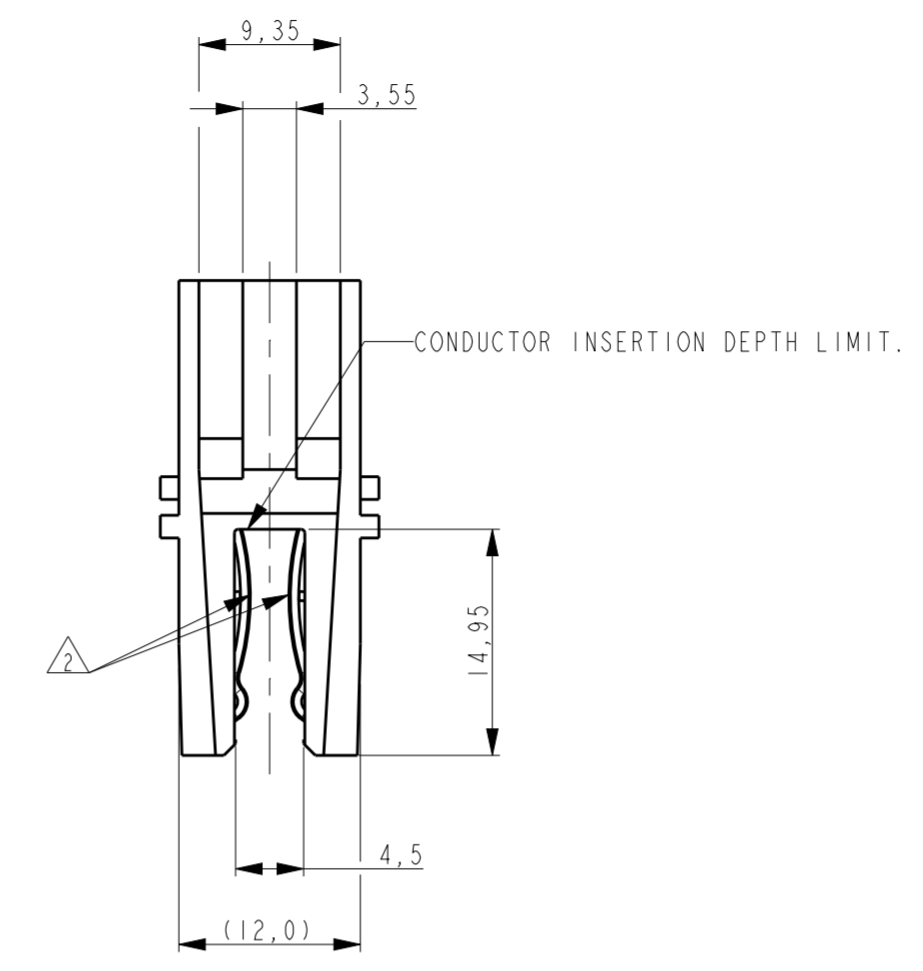
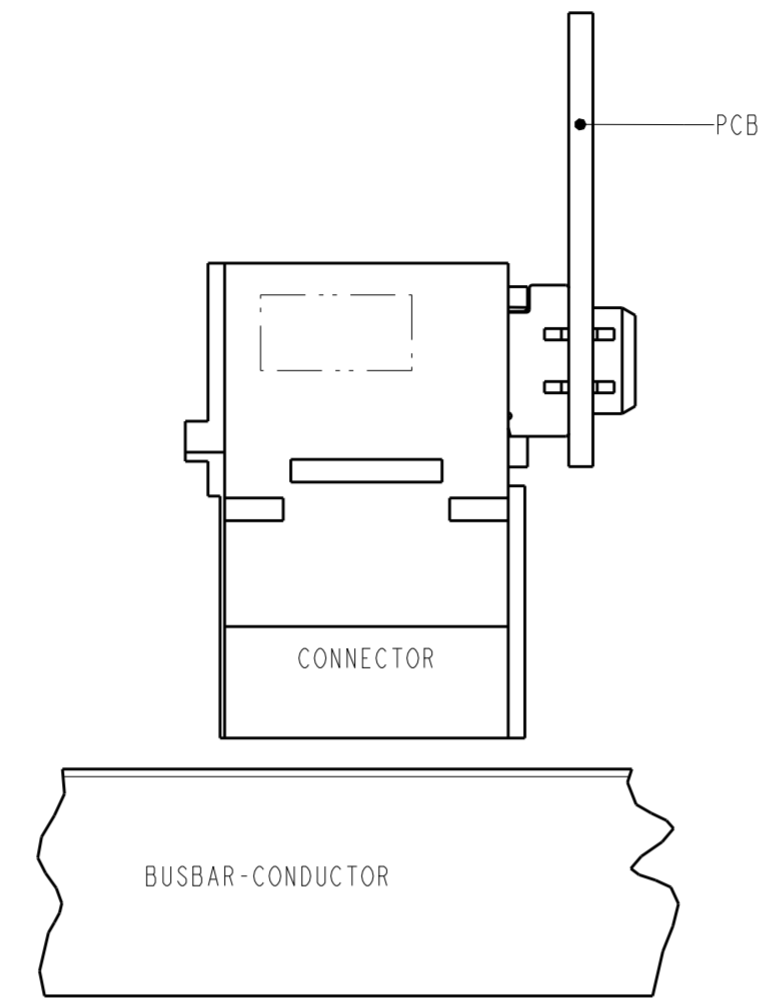
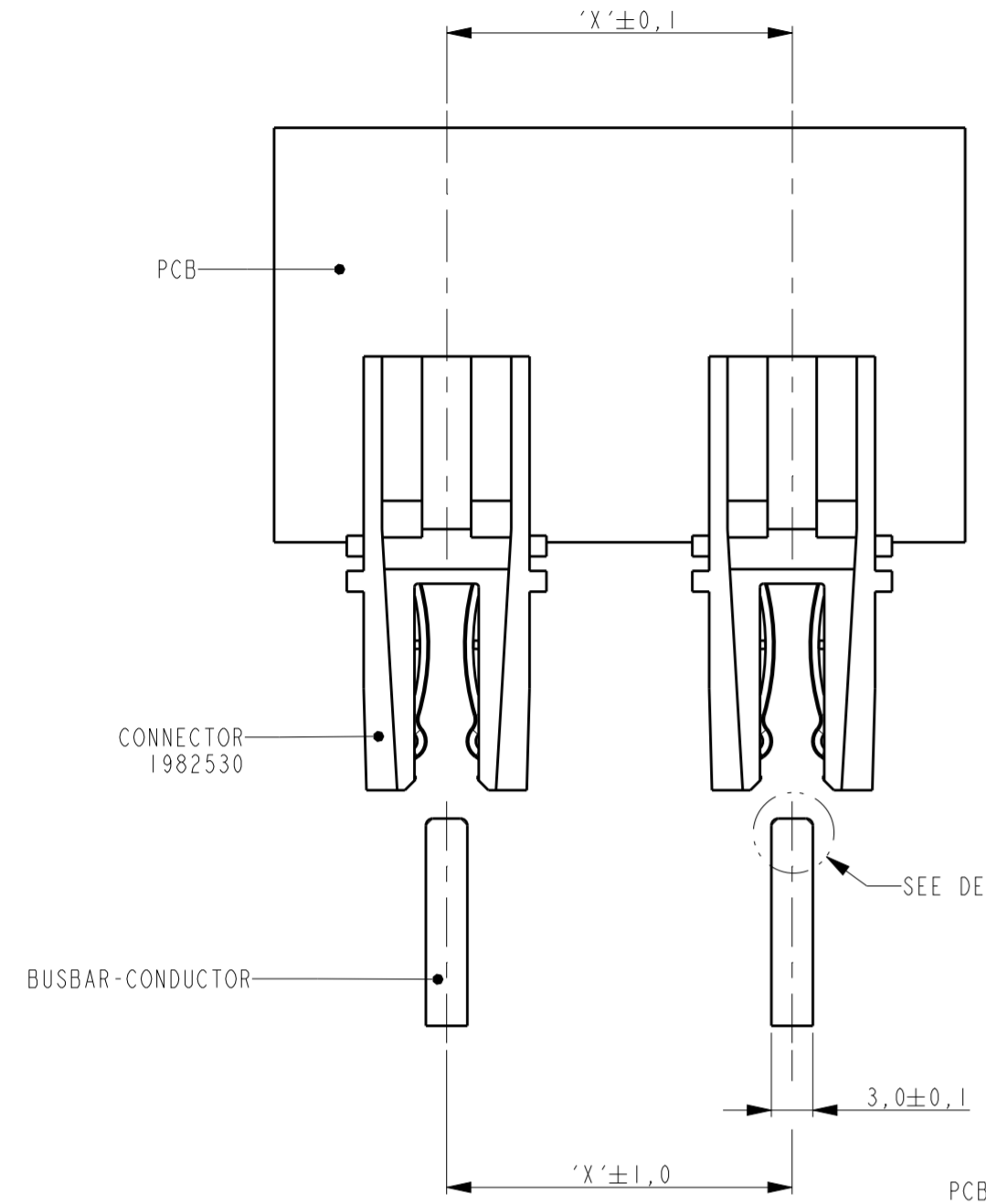
Email & Skype: info@chipsmall.com Web: www.chipsmall.com

Address: A1208, Overseas Decoration Building, #122 Zhenhua RD., Futian, Shenzhen, China

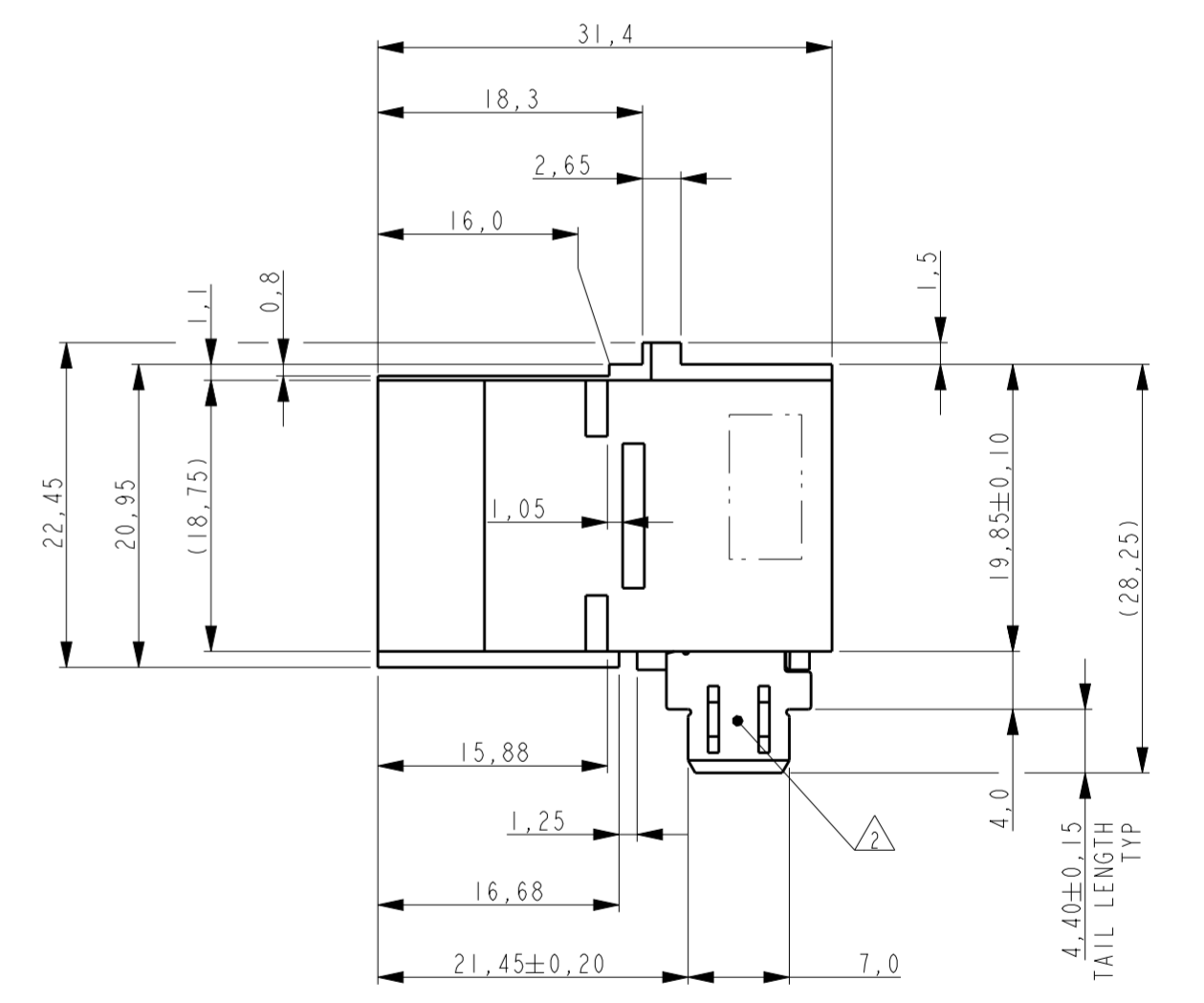
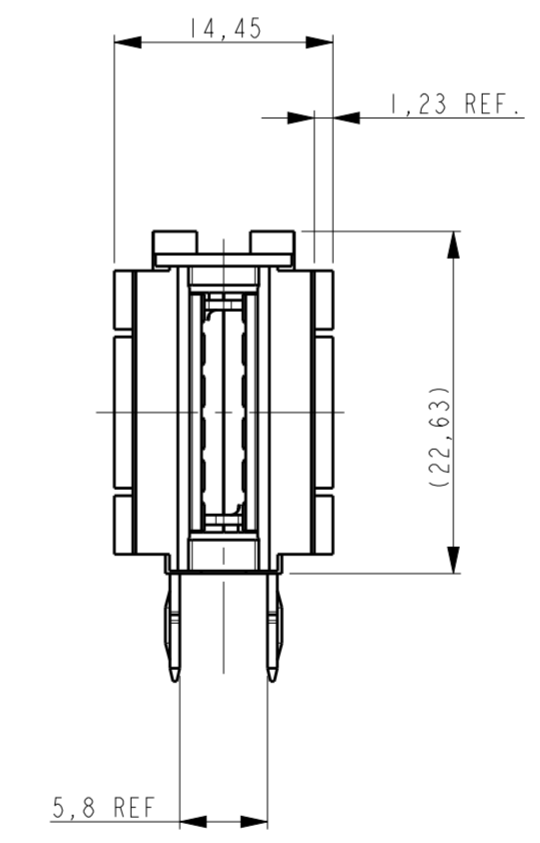
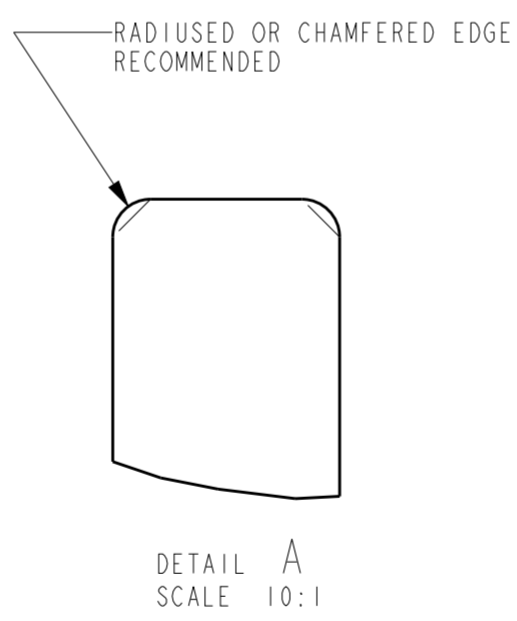
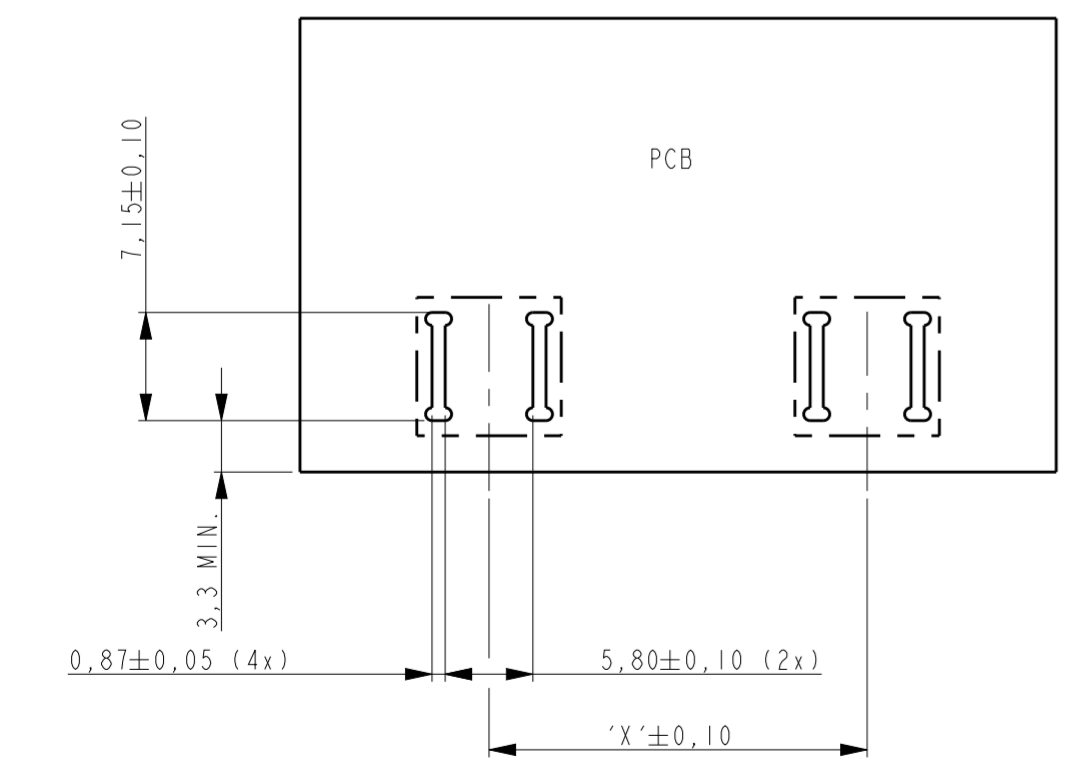


THIS DRAWING IS UNPUBLISHED. RELEASED FOR PUBLICATION
 © COPYRIGHT - BY - ALL RIGHTS RESERVED.

REVISIONS				
P	LTR	DESCRIPTION	DATE	APVD
A3		REV PER ECR-15-005882	20APR2015	ML SZ



PCB AND BUSBAR-CONDUCTORS, IN THESE VIEWS ARE SHOWN FOR REFERENCE ONLY.



RECOMMENDED PCB LAY-OUT
 THICKNESS: 1,5 - 2,0mm

- NOTES:
- 1 PCB MUST BE SUPPORTED WHILE INSERTING THE CONNECTOR IN THE SLOTS TO AVOID BENDING OF THE BOARD.
 - 2 PLATING: 1,2µm MIN. NICKEL UNDERLAYER ALLOY. 3,0µm MIN. TIN IN INDICATED AREA'S.
 - 3 AREA FOR DATE-CODE
 - 4 MATERIAL: POWER CONTACT: HIGH CONDUCTIVITY COPPER ALLOY. HOUSING: THERMOPLASTIC, BLACK, UL94 V-0.

TYCO ELECTRONICS ORDERNUMBER: 2042305-1

ITEM NO.	DESCRIPTION	MATERIAL	FINISH
4	CONTACT LEFT	COPPER ALLOY	SEE NOTE 2
3	CONTACT RIGHT	COPPER ALLOY	SEE NOTE 2
2	CLIP	STAINLESS STEEL	-
1	HOUSING	PBT	BLACK

THIS DRAWING IS A CONTROLLED DOCUMENT.		DWN J.VOS 04-Apr-08	TE Connectivity
DIMENSIONS: mm		CHK R.DAAMEN 04-Apr-08	
TOLERANCES UNLESS OTHERWISE SPECIFIED:		APVD R.VD.SANDT	NAME
0 PLC ±		PRODUCT SPEC	PLUGGABLE BUSBAR CONNECTOR
1 PLC ±0.3		APPLICATION SPEC	SOLDER VERSION
2 PLC ±0.15		114-19128	CROWN CLIP JUNIOR
3 PLC ±0.050		WEIGHT	SIZE CAGE CODE DRAWING NO
4 PLC ±		Customer Drawing	A2 00779 C-2042305
ANGLES ±2°		SCALE 2:1	SHEET 1 OF 1
FINISH		REV A3	