



Chipsmall Limited consists of a professional team with an average of over 10 year of expertise in the distribution of electronic components. Based in Hongkong, we have already established firm and mutual-benefit business relationships with customers from,Europe,America and south Asia,supplying obsolete and hard-to-find components to meet their specific needs.

With the principle of “Quality Parts,Customers Priority,Honest Operation,and Considerate Service”,our business mainly focus on the distribution of electronic components. Line cards we deal with include Microchip,ALPS,ROHM,Xilinx,Pulse,ON,Everlight and Freescale. Main products comprise IC,Modules,Potentiometer,IC Socket,Relay,Connector.Our parts cover such applications as commercial,industrial, and automotives areas.

We are looking forward to setting up business relationship with you and hope to provide you with the best service and solution. Let us make a better world for our industry!



Contact us

Tel: +86-755-8981 8866 Fax: +86-755-8427 6832

Email & Skype: info@chipsmall.com Web: www.chipsmall.com

Address: A1208, Overseas Decoration Building, #122 Zhenhua RD., Futian, Shenzhen, China



THIS DRAWING IS UNPUBLISHED.

RELEASED FOR PUBLICATION

,19 .

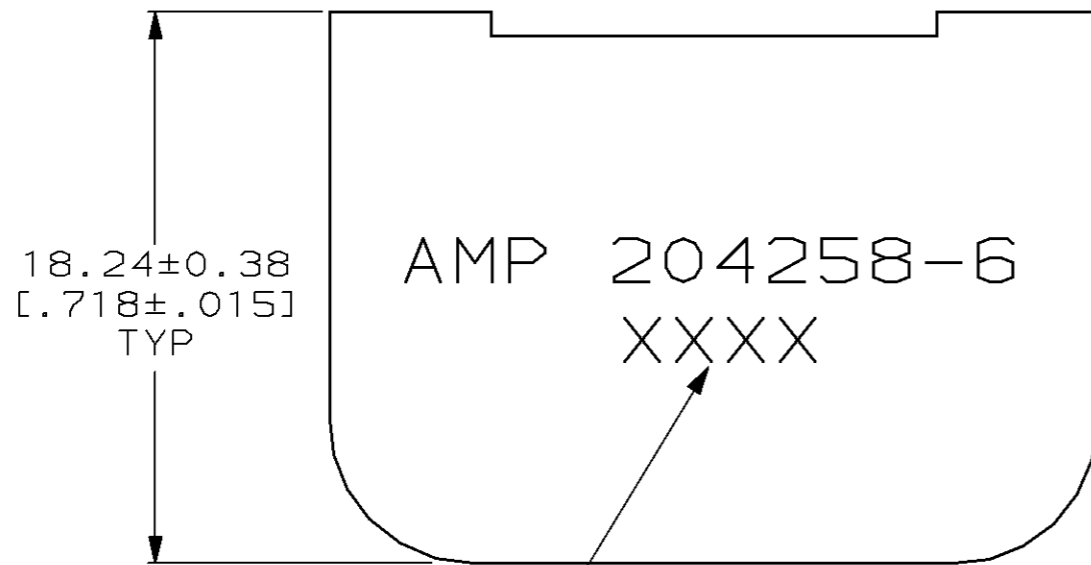
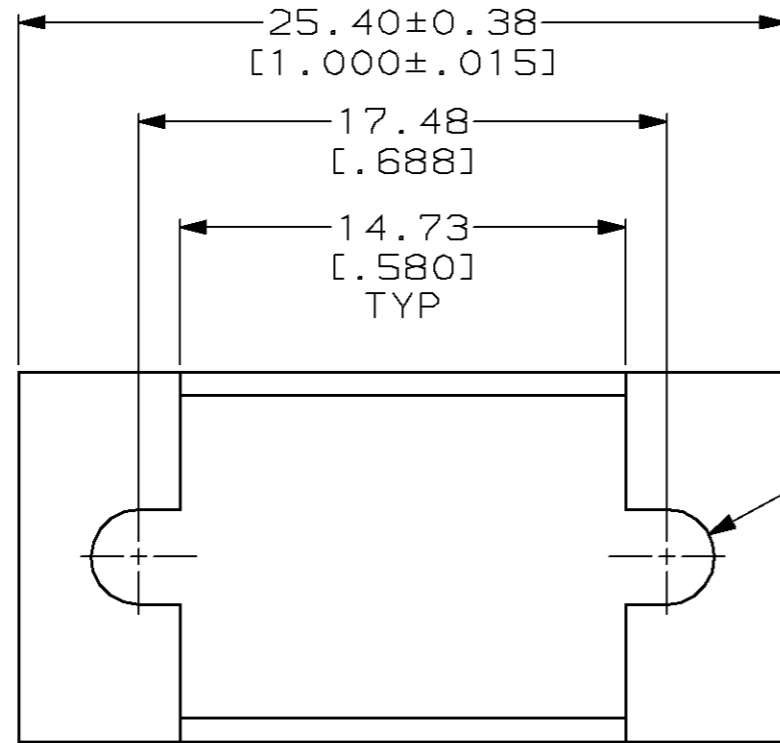
© COPYRIGHT 19

BY AMP INCORPORATED. ALL RIGHTS RESERVED.

LOC FT DIST 8

REVISIONS

| P | LTR | DESCRIPTION | DATE | DWN | APVD |
|---|-----|---------------------------------------|-----------|-----|------|
| C | | REDRAWN W/O CHANGE PER EC 0020-292-96 | 29 APR 96 | BC | GS |



1.57 [.062] R TYP

DATE CODE

12.70±0.51 [.500±.020]

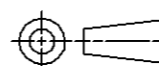
204258-6

PART NUMBER

THIS DRAWING IS A CONTROLLED DOCUMENT.

DIMENSIONS:
mm [INCHES]

TOLERANCES UNLESS OTHERWISE SPECIFIED:



| | |
|--------|--------------|
| 0 PLC | ±- |
| 1 PLC | ±- |
| 2 PLC | ±0.13 [.005] |
| 3 PLC | ±- |
| 4 PLC | ±- |
| ANGLES | ±- |

MATERIAL CARBON STEEL

FINISH 5.08µm [.000200] MIN NICKEL PER QQ-N-290

DWN B. CARBO 29 APR 96

CHK R. STONE 16 MAY 96

APVD G. STEINHAUER 22 AUG 96

PRODUCT SPEC -

APPLICATION SPEC -

WEIGHT -

CUSTOMER DRAWING

AMP AMP Incorporated Harrisburg, PA 17105-3608

NAME PIN HOOD, 6 POSITION, MINIATURE RECTANGULAR, W/O SHIELD, M SERIES

SIZE A3 CAGE CODE 00779 DRAWING NO C-204258

SCALE 4:1 SHEET 1 OF 1 REV C