



Chipsmall Limited consists of a professional team with an average of over 10 year of expertise in the distribution of electronic components. Based in Hongkong, we have already established firm and mutual-benefit business relationships with customers from,Europe,America and south Asia,supplying obsolete and hard-to-find components to meet their specific needs.

With the principle of "Quality Parts,Customers Priority,Honest Operation,and Considerate Service",our business mainly focus on the distribution of electronic components. Line cards we deal with include Microchip,ALPS,ROHM,Xilinx,Pulse,ON,Everlight and Freescale. Main products comprise IC,Modules,Potentiometer,IC Socket,Relay,Connector.Our parts cover such applications as commercial,industrial, and automotives areas.

We are looking forward to setting up business relationship with you and hope to provide you with the best service and solution. Let us make a better world for our industry!



Contact us

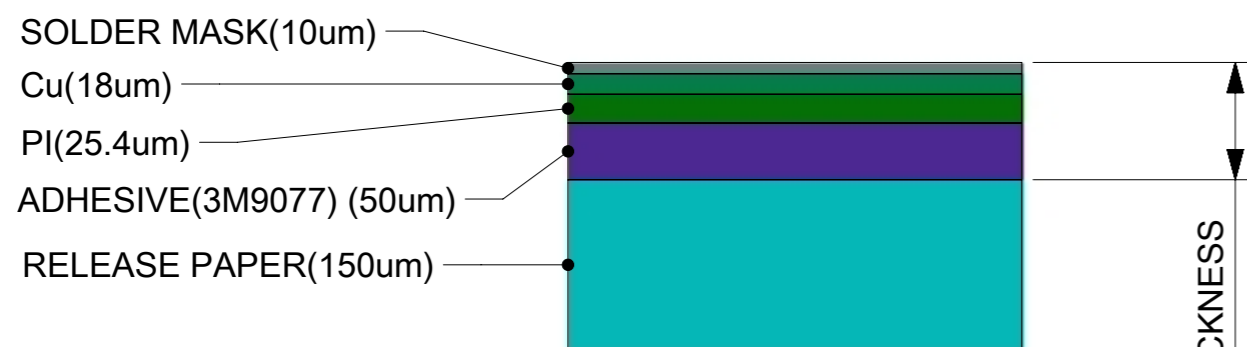
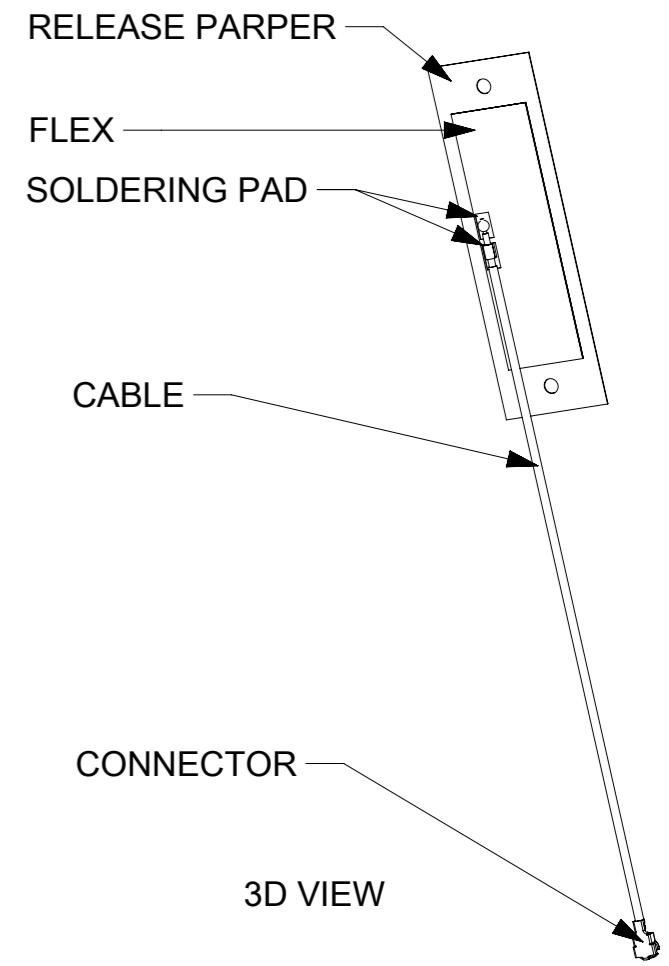
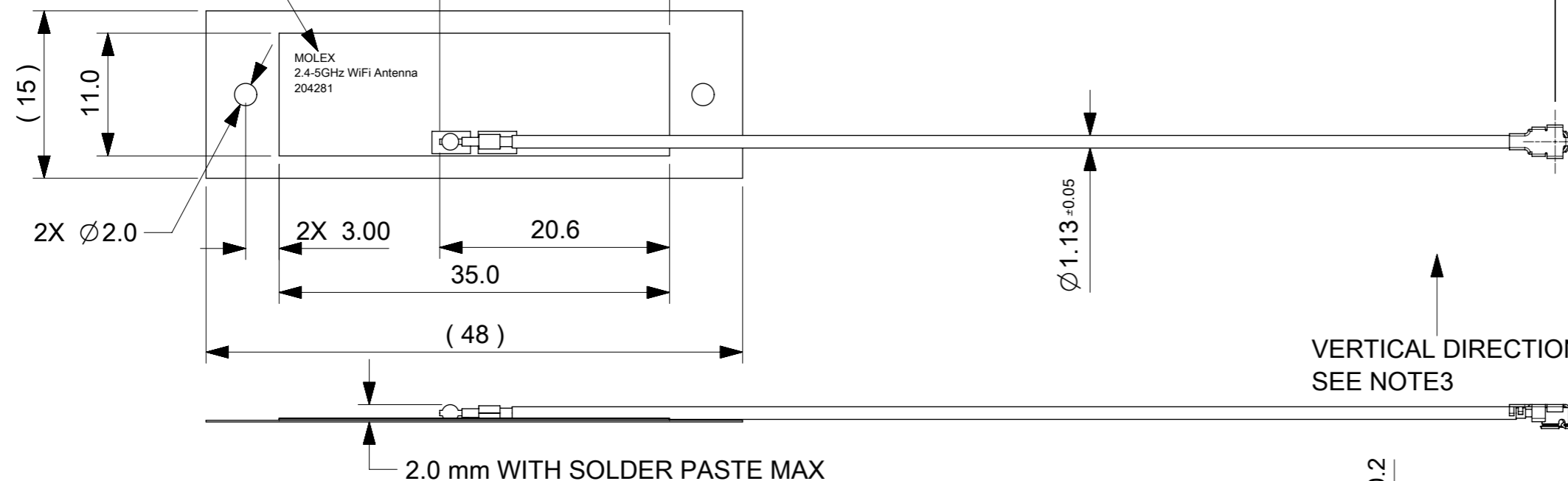
Tel: +86-755-8981 8866 Fax: +86-755-8427 6832

Email & Skype: info@chipsmall.com Web: www.chipsmall.com

Address: A1208, Overseas Decoration Building, #122 Zhenhua RD., Futian, Shenzhen, China

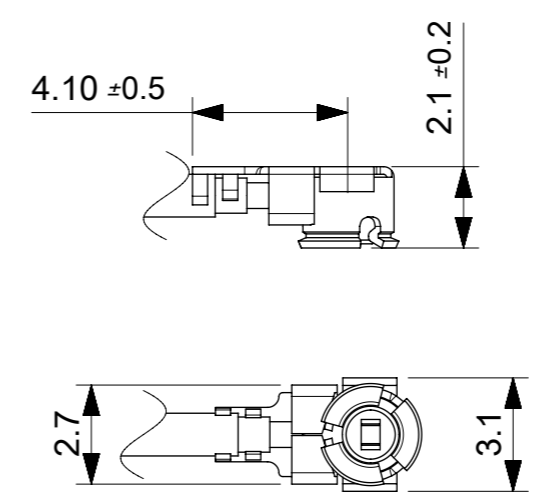


MOLEX SERIES NO.
ANTENNA INFORMATION
(TEXT COLOR IN WHITE)



FLEX LAYER

0.10 FLEX THICKNESS



U.FL CONNECTOR

ITEM	MATERIAL NO.	DIM "A"	DIM "B"
1	2042810050	50MM	29.4MM
2	2042810100	100MM	79.4MM
3	2042810150	150MM	129.4MM
4	2042810200	200MM	179.4MM
5	2042810250	250MM	229.4MM
6	2042810300	300MM	279.4MM

- NOTE:
- MATERIAL:
FLEX: SEE FLEX LAYER
CABLE: Ø1.13mm
CONNECTOR: OD1.13, 2.5H U.FL CONNECTOR(GOLD PLATING)
 - SOLDER MASK COLOR: BLACK
 - CAN'T LIFT UP CABLE IN VERTICAL DIRECTION
 - APPLICATION SPEC REFER TO AS OF 2042810100
 - PRODUCT SPEC REFER TO PS OF 2042810100
 - PACKAGING SPEC REFER TO PK OF 2042810100

QUALITY SYMBOLS		THIS DRAWING CONTAINS INFORMATION THAT IS PROPRIETARY TO MOLEX ELECTRONIC TECHNOLOGIES, LLC AND SHOULD NOT BE USED WITHOUT WRITTEN PERMISSION												
▽A	= 0	EC NO: 171309 DRWN: KCHENG06 CHK'D: KCHENG06 APPR: XJSONG	GENERAL TOLERANCES (UNLESS SPECIFIED)		DIMENSION UNITS					SCALE	2.4/5GHZ WIFI DUAL BAND ANTENNA PRODUCT CUSTOMER DRAWING			
▽E	= 0		ANGULAR TOL ± °		mm	2:1								
▽EP	= 0		4 PLACES ±	CXU11		DATE	2017/05/24							
▽	= 0		3 PLACES ± 0.05	CXU11		DATE	2017/05/24							
▽C	= 0		2 PLACES ± 0.15	XJSONG		DATE	2017/05/24							
▽	= 0		1 PLACE ± 0.2	DRAWING SIZE		THIRD ANGLE PROJECTION								
▽	= 0	0 PLACES ± 0.5	DRAFT WHERE APPLICABLE MUST REMAIN WITHIN DIMENSIONS		A3									
▽	= 0	A1		REV	A3		SERIES: 204281 MATERIAL NUMBER: SEE TABLE CUSTOMER: GENERAL MARKET							
RELEASE STATUS		P1	RELEASE DATE	2018/01/31	01:46:53	DOCUMENT NUMBER		2042810100	DOC TYPE	PSD	DOC PART	000	SHEET NUMBER	1 OF 1