



Chipsmall Limited consists of a professional team with an average of over 10 year of expertise in the distribution of electronic components. Based in Hongkong, we have already established firm and mutual-benefit business relationships with customers from,Europe,America and south Asia,supplying obsolete and hard-to-find components to meet their specific needs.

With the principle of “Quality Parts,Customers Priority,Honest Operation,and Considerate Service”,our business mainly focus on the distribution of electronic components. Line cards we deal with include Microchip,ALPS,ROHM,Xilinx,Pulse,ON,Everlight and Freescale. Main products comprise IC,Modules,Potentiometer,IC Socket,Relay,Connector.Our parts cover such applications as commercial,industrial, and automotives areas.

We are looking forward to setting up business relationship with you and hope to provide you with the best service and solution. Let us make a better world for our industry!



## Contact us

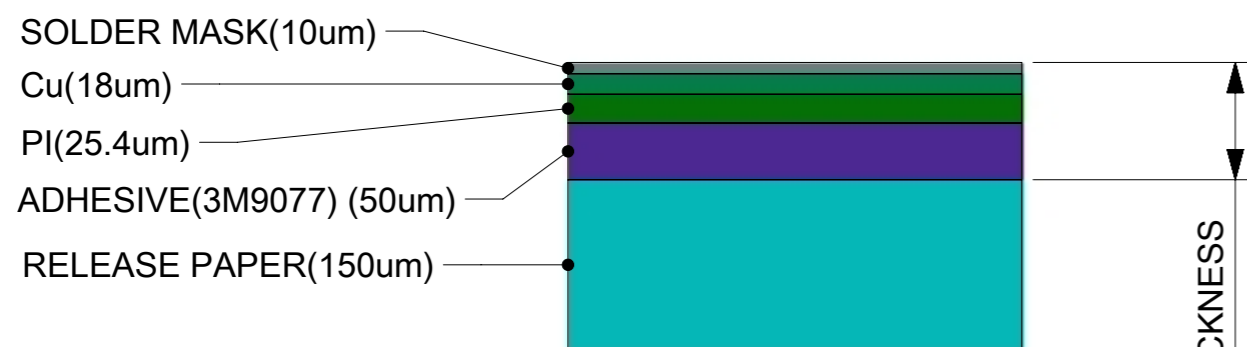
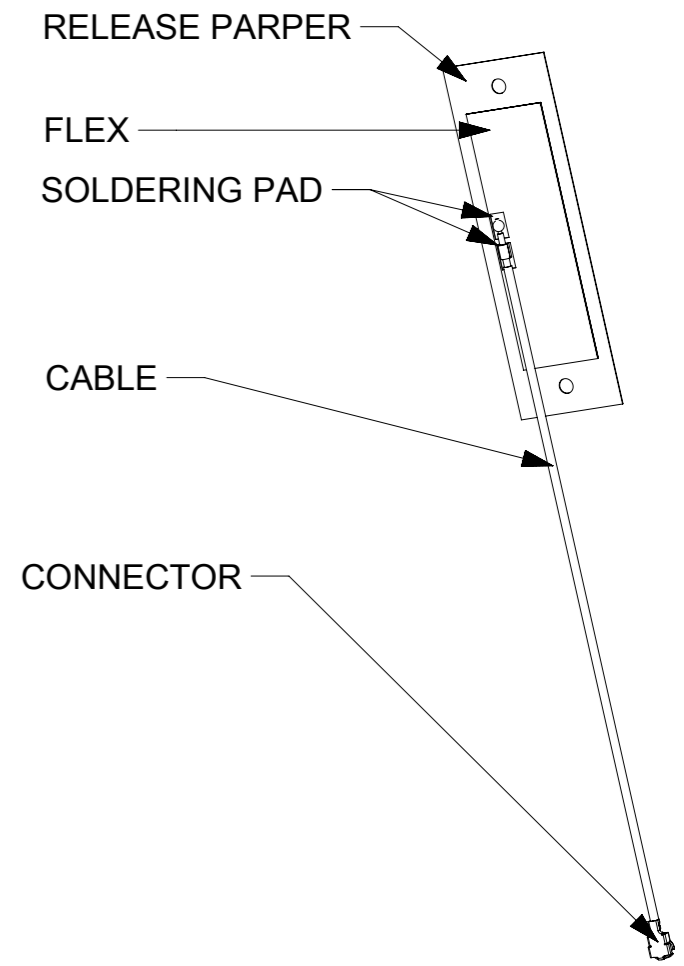
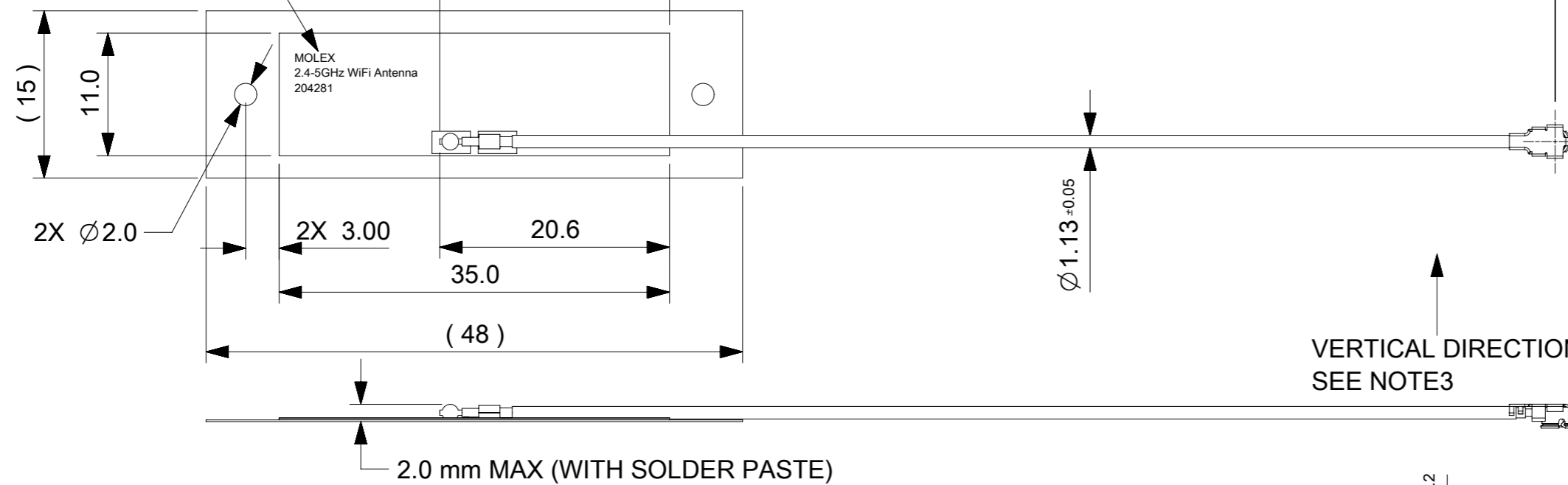
Tel: +86-755-8981 8866 Fax: +86-755-8427 6832

Email & Skype: info@chipsmall.com Web: www.chipsmall.com

Address: A1208, Overseas Decoration Building, #122 Zhenhua RD., Futian, Shenzhen, China

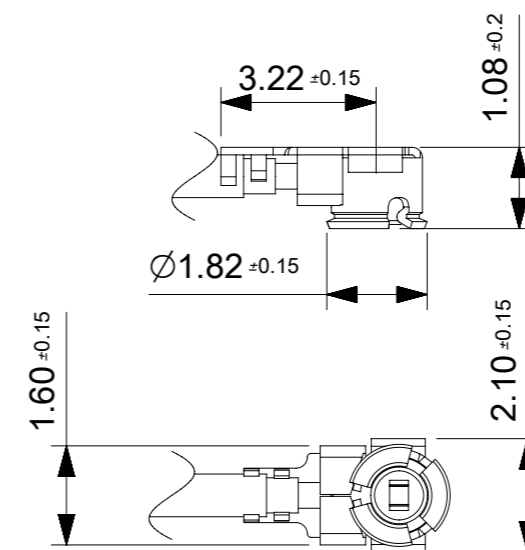


MOLEX SERIES NO.  
ANTENNA INFORMATION  
(TEXT COLOR IN WHITE)



FLEX LAYER

0.10 FLEX THICKNESS



CONNECTOR

| ITEM | MATERIAL NO. | DIM "A" | DIM "B" |
|------|--------------|---------|---------|
| 1    | 2042811050   | 50mm    | 29.4mm  |
| 2    | 2042811100   | 100mm   | 79.4mm  |
| 3    | 2042811150   | 150mm   | 129.4mm |
| 4    | 2042811200   | 200mm   | 179.4mm |
| 5    | 2042811250   | 250mm   | 229.4mm |
| 6    | 2042811300   | 300mm   | 279.4mm |

- NOTE:
- MATERIAL:  
FLEX: SEE FLEX LAYER  
CABLE: Ø1.13mm  
CONNECTOR: I-PEX MHF4L PLUG P/N: 20565-001R-13
  - SOLDER MASK COLOR: BLACK
  - CAN'T LIFT UP CABLE IN VERTICAL DIRECTION
  - APPLICATION SPEC REFER TO AS OF 2042810100
  - PRODUCT SPEC REFER TO PS OF 2042810100
  - PACKAGING SPEC REFER TO PK OF 2042810100

|  |   |  |                        |                                 |                 |              |
|--|---|--|------------------------|---------------------------------|-----------------|--------------|
| <p>THIS DRAWING CONTAINS INFORMATION THAT IS PROPRIETARY TO MOLEX ELECTRONIC TECHNOLOGIES, LLC AND SHOULD NOT BE USED WITHOUT WRITTEN PERMISSION</p> |   |  |                        |                                 |                 |              |
| <p>QUALITY SYMBOLS</p> <p>▽A = 0</p> <p>▽E = 0</p> <p>▽F = 0</p> <p>▽ = 0</p> <p>▽C = 0</p> <p>⊠ = 0</p> <p>■ = 0</p> <p>▽ = 0</p>                   | <p>2018/01/24</p> <p>2018/01/25</p> <p>2018/01/31</p> | <p>GENERAL TOLERANCES (UNLESS SPECIFIED)</p> |                        | DIMENSION UNITS                 | SCALE           |              |
|  |   | <p>ANGULAR TOL ± °</p>                       |                        | mm                              | 2:1             |              |
|  |   | 4 PLACES ±                                   |                        | DRWN BY                         | DATE            |              |
|  |   | 3 PLACES ± 0.05                              |                        | KCHENG06                        | 2017/11/02      |              |
| 2 PLACES ± 0.15  |   | CHK'D BY                                     | DATE                   |                                 |                 |              |
| 1 PLACE ± 0.2  |   | CXU11  | 2017/11/03             |                                 |                 |              |
| 0 PLACES ± 0.5   |   | APPR BY                                      | DATE                   |                                 |                 |              |
| <p>DRAFT WHERE APPLICABLE MUST REMAIN WITHIN DIMENSIONS</p>  |   | XJSONG                                       | 2017/11/06             |                                 |                 |              |
|  |   | DRAWING SIZE                                 | THIRD ANGLE PROJECTION | <p>PRODUCT CUSTOMER DRAWING</p> |                 |              |
|  |   | A3   |                        | SERIES                          | MATERIAL NUMBER | CUSTOMER     |
|  |   |  |                        | 204281                          | SEE TABLE       |              |
|  |   |  |                        | DOCUMENT NUMBER                 | DOC TYPE        | DOC PART     |
|  |   |  |                        | 2042811100                      | PSD             | 000          |
|  |   |  |                        |                                 |                 | SHEET NUMBER |
|  |   |  |                        |                                 |                 | 1 OF 1       |