



Chipsmall Limited consists of a professional team with an average of over 10 year of expertise in the distribution of electronic components. Based in Hongkong, we have already established firm and mutual-benefit business relationships with customers from,Europe,America and south Asia,supplying obsolete and hard-to-find components to meet their specific needs.

With the principle of “Quality Parts,Customers Priority,Honest Operation,and Considerate Service”,our business mainly focus on the distribution of electronic components. Line cards we deal with include Microchip,ALPS,ROHM,Xilinx,Pulse,ON,Everlight and Freescale. Main products comprise IC,Modules,Potentiometer,IC Socket,Relay,Connector.Our parts cover such applications as commercial,industrial, and automotives areas.

We are looking forward to setting up business relationship with you and hope to provide you with the best service and solution. Let us make a better world for our industry!



## Contact us

Tel: +86-755-8981 8866 Fax: +86-755-8427 6832

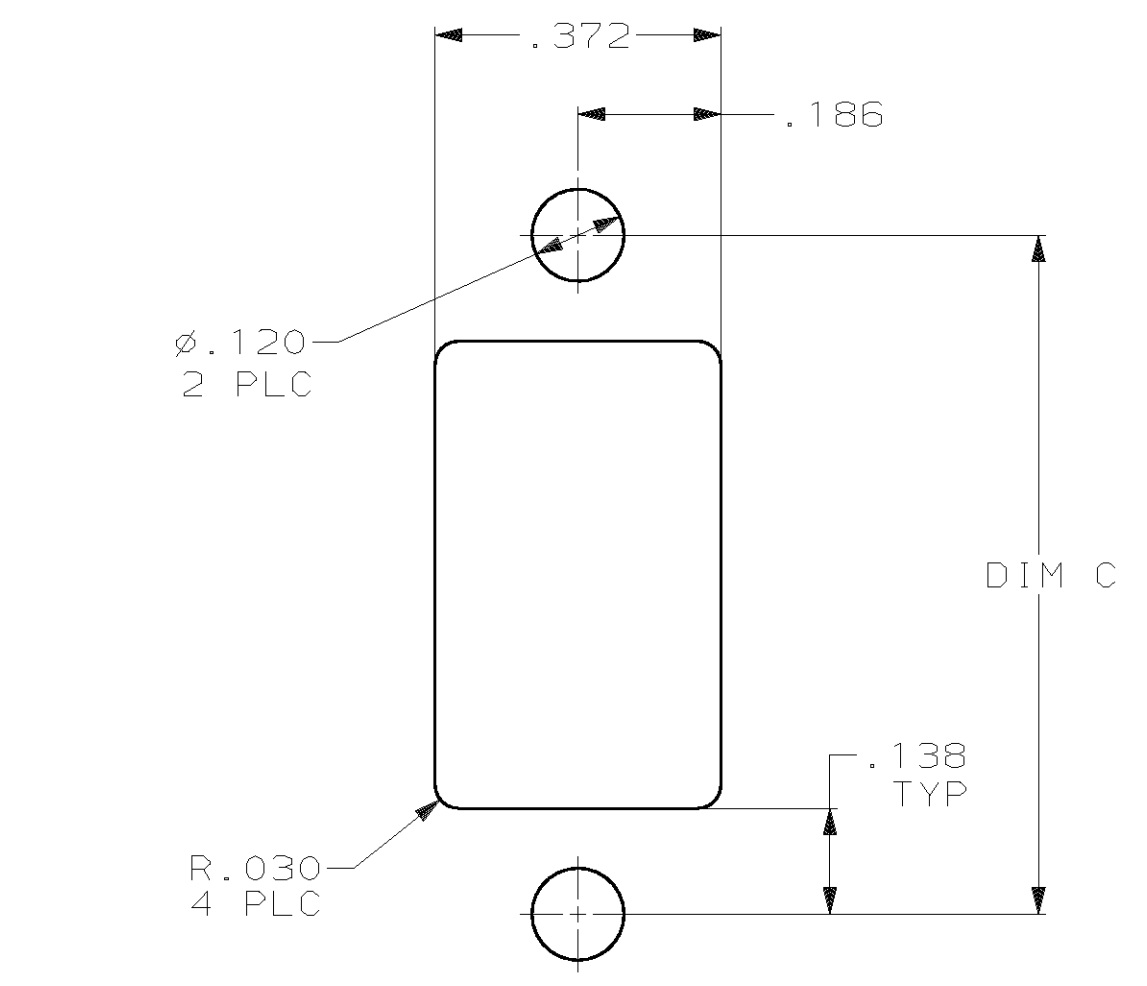
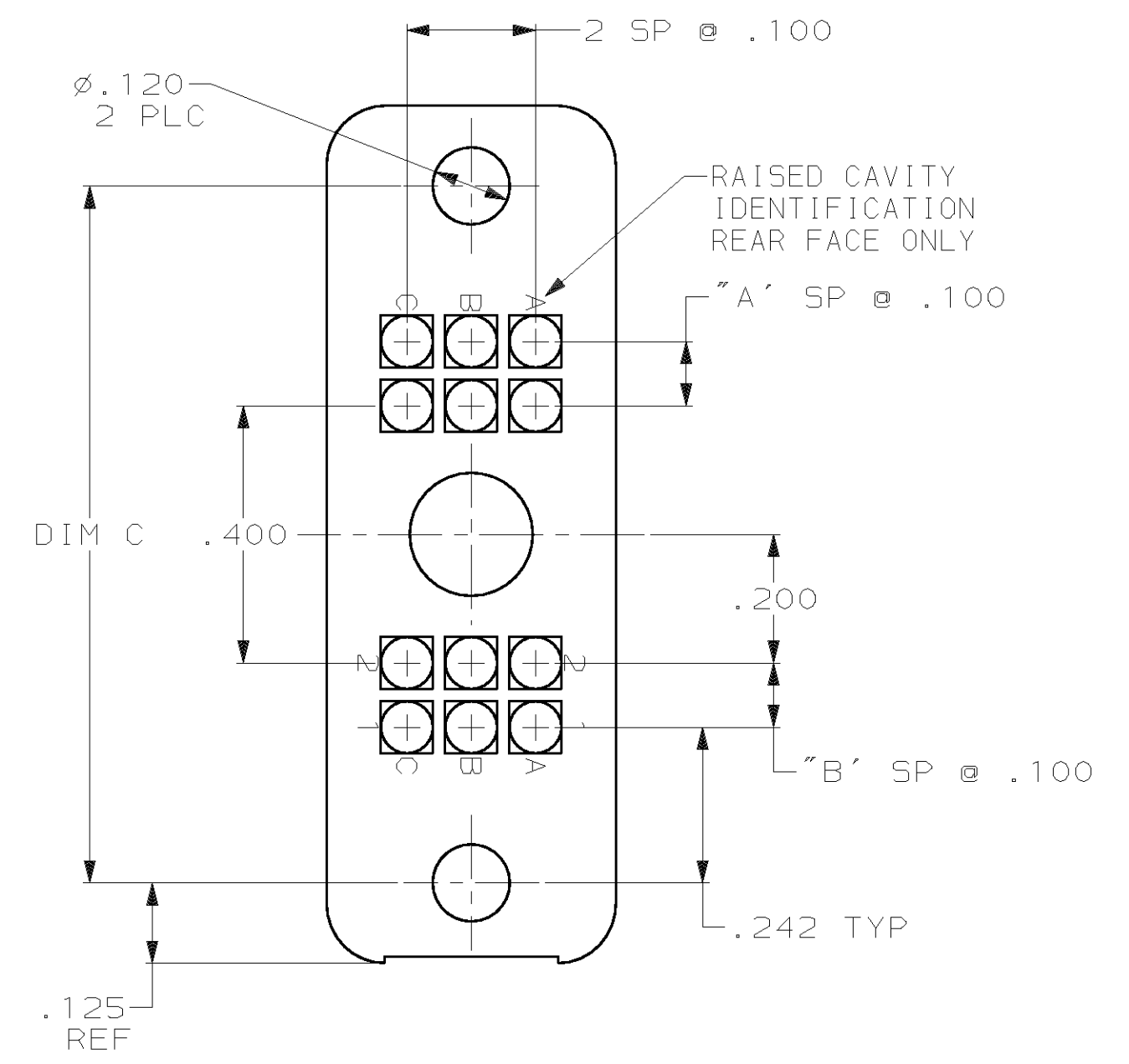
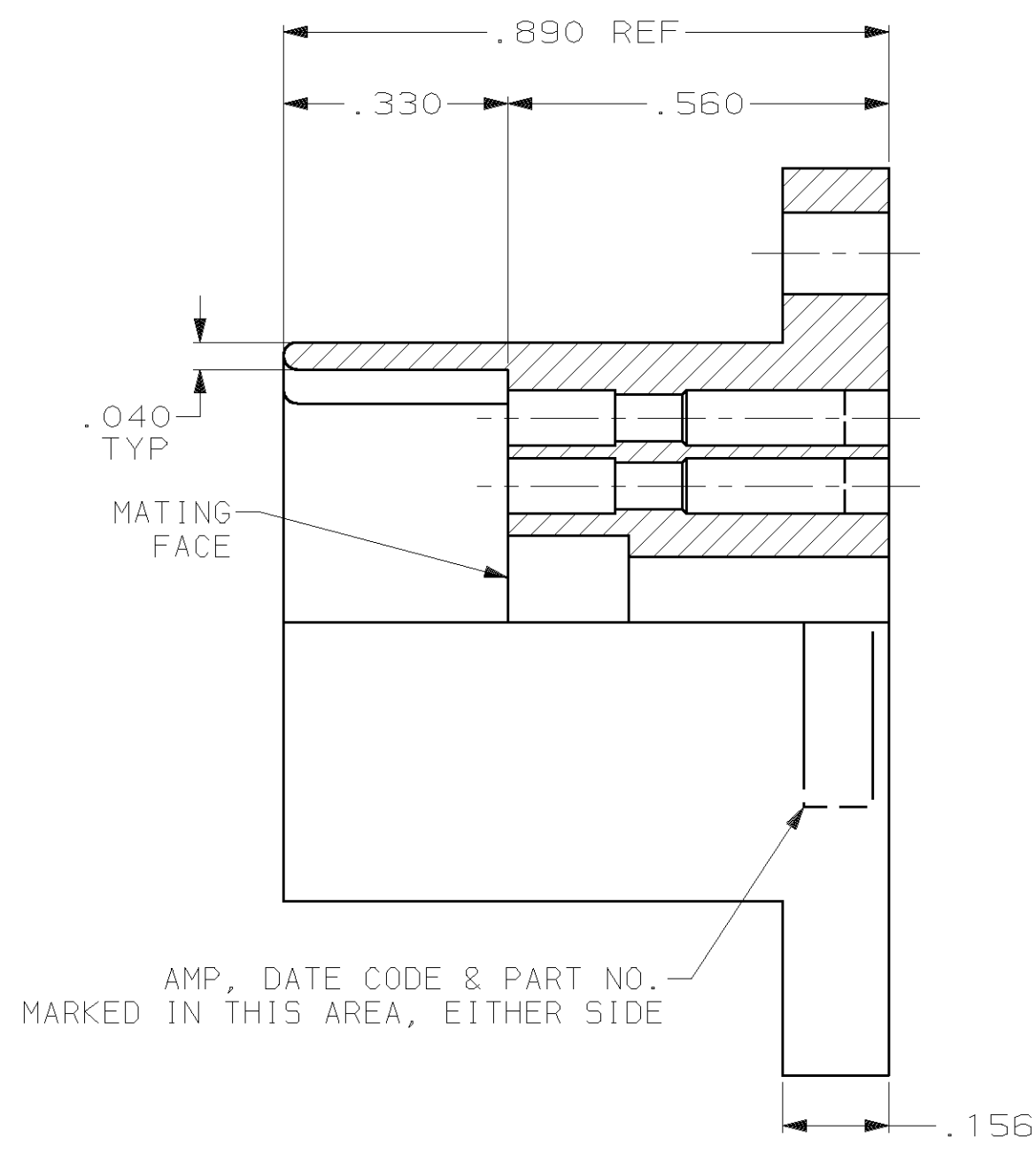
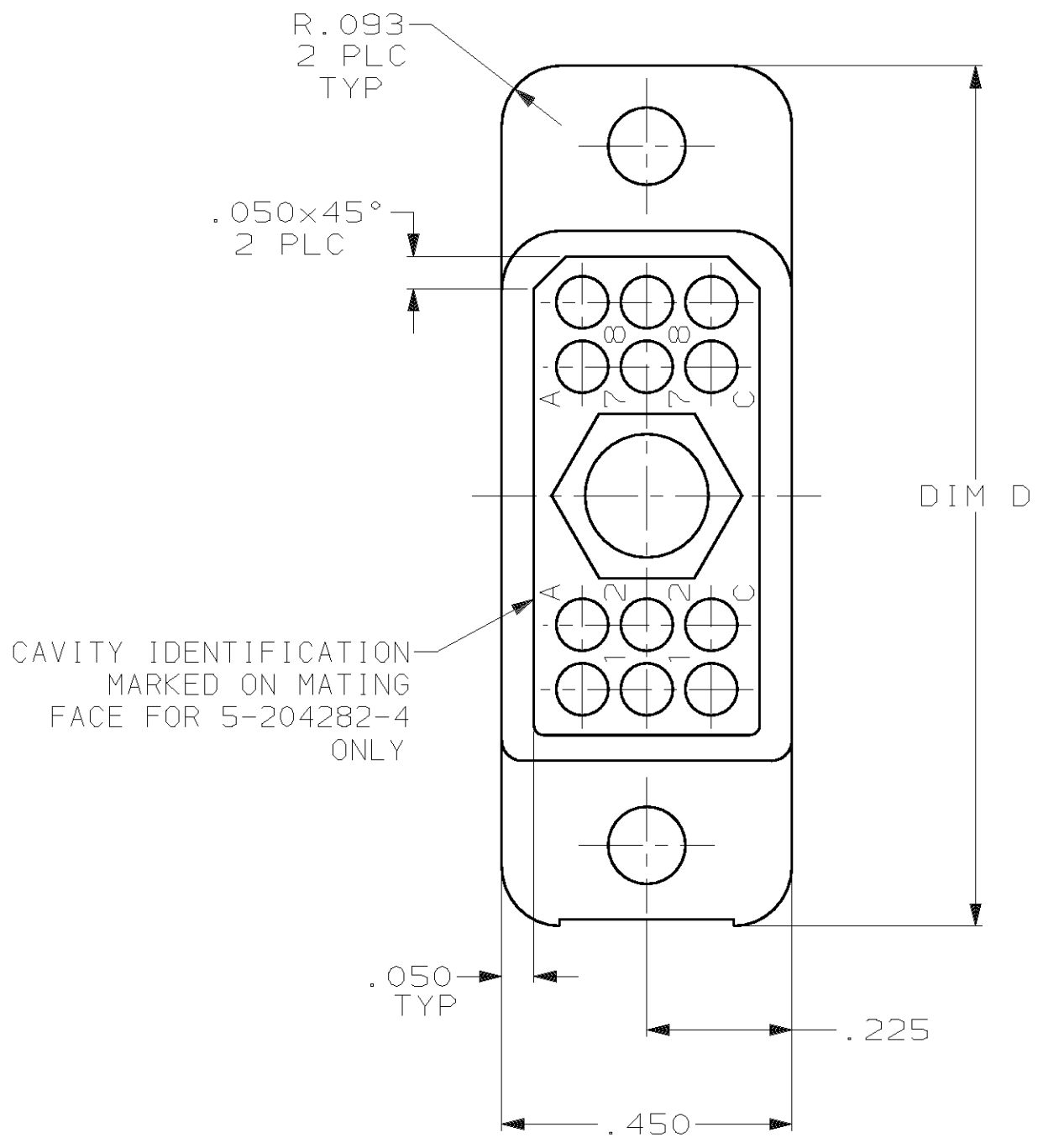
Email & Skype: info@chipsmall.com Web: www.chipsmall.com

Address: A1208, Overseas Decoration Building, #122 Zhenhua RD., Futian, Shenzhen, China



THIS DRAWING IS UNPUBLISHED. RELEASED FOR PUBLICATION .19  
 (C) COPYRIGHT 19 BY AMP INCORPORATED. ALL RIGHTS RESERVED.

Loc		DIST		REVISIONS			
P	LTR	DESCRIPTION	DATE	DWN	APVD		
J		REV PER 063D-0276-01	7-02	CT	JM		



SUGGESTED PANEL CUTOUT

	DIM D	DIM C	"B" NUMBER OF SPACES	"A" NUMBER OF SPACES	MATERIAL	NO OF POSN.	PART NUMBER
OBSOLETE	1.734	1.484	3	3	4	24	5-204282-4
	2.534	2.284	7	7	4	48	2-204282-8
OBSOLETE	2.334	2.084	6	6	4	42	2-204282-7
	2.134	1.884	5	5	4	36	2-204282-6
OBSOLETE	1.934	1.684	4	4	4	30	2-204282-5
	1.734	1.484	3	3	4	24	2-204282-4
OBSOLETE	1.534	1.284	2	2	4	18	2-204282-3
	1.334	1.084	1	1	4	12	2-204282-2
OBSOLETE	1.134	.884	-	-	4	6	2-204282-1
	2.534	2.284	7	7	2	48	204282-8
OBSOLETE	2.334	2.084	6	6	2	42	204282-7
	2.134	1.884	5	5	2	36	204282-6
OBSOLETE	1.934	1.684	4	4	2	30	204282-5
	1.734	1.484	3	3	2	24	204282-4
OBSOLETE	1.534	1.284	2	2	2	18	204282-3
	1.334	1.084	1	1	2	12	204282-2
OBSOLETE	1.134	.884	-	-	2	6	204282-1

- CONTACT CAVITY WILL ACCEPT BOTH TYPE XI PIN OR SOCKET AND TYPE XI AUTOWIRING PIN OR SOCKET.
- MATERIAL: BLACK PHENOLIC
- MATES WITH AMP PART NO. 204281.
- MATERIAL: BLUE DIALLYL PHTHALATE

THIS DRAWING IS A CONTROLLED DOCUMENT.

DWN	C.C. THOMAS	3-25-02	 TYCO Electronics Harrisburg, PA 17105-3608
CHK	D. MILLER	3-25-02	
APVD	D. MILLER	3-25-02	
PRODUCT SPEC			
APPLICATION SPEC			NAME
MATERIAL SEE TABLE			SIZE
FINISH			CAGE CODE
CUSTOMER DRAWING			DRAWING NO
SCALE			RESTRICTED TO
SHEET			REV