



Chipsmall Limited consists of a professional team with an average of over 10 year of expertise in the distribution of electronic components. Based in Hongkong, we have already established firm and mutual-benefit business relationships with customers from,Europe,America and south Asia,supplying obsolete and hard-to-find components to meet their specific needs.

With the principle of “Quality Parts,Customers Priority,Honest Operation,and Considerate Service”,our business mainly focus on the distribution of electronic components. Line cards we deal with include Microchip,ALPS,ROHM,Xilinx,Pulse,ON,Everlight and Freescale. Main products comprise IC,Modules,Potentiometer,IC Socket,Relay,Connector.Our parts cover such applications as commercial,industrial, and automotives areas.

We are looking forward to setting up business relationship with you and hope to provide you with the best service and solution. Let us make a better world for our industry!



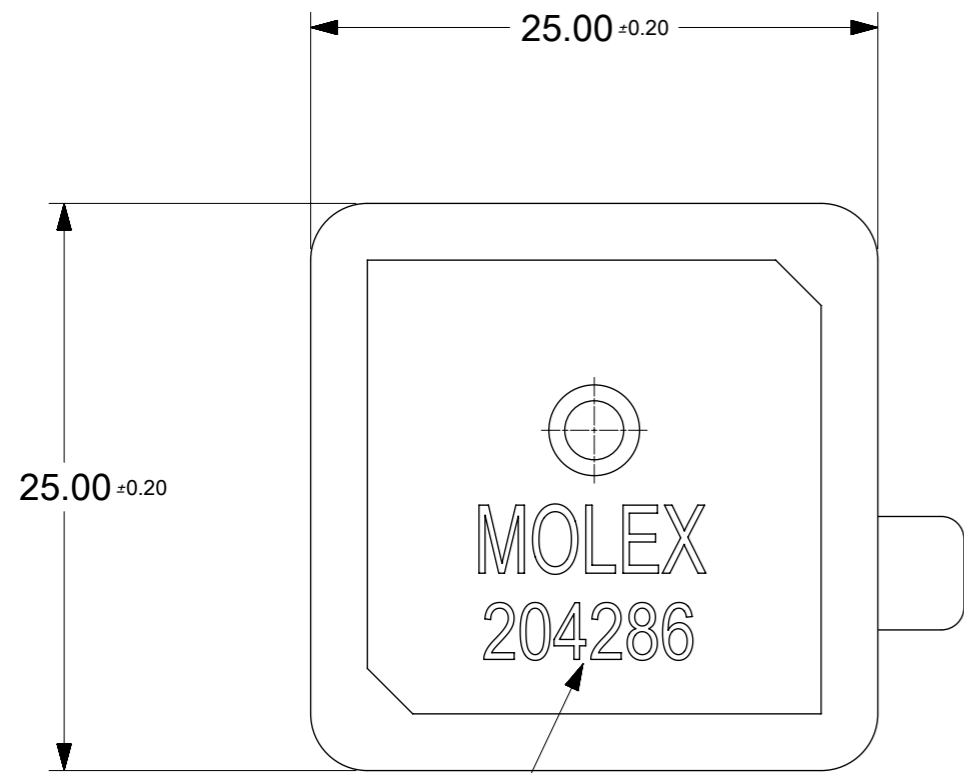
Contact us

Tel: +86-755-8981 8866 Fax: +86-755-8427 6832

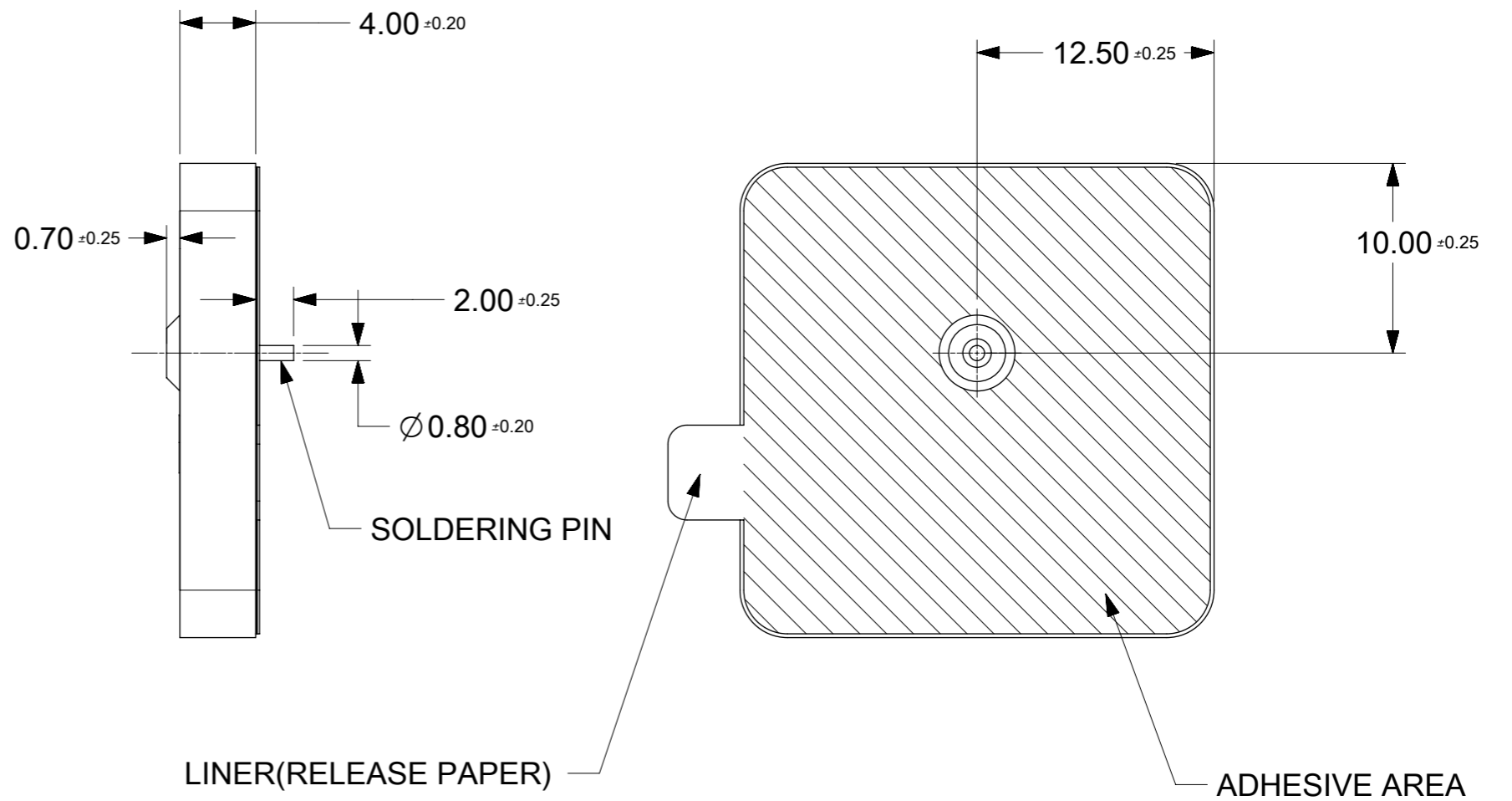
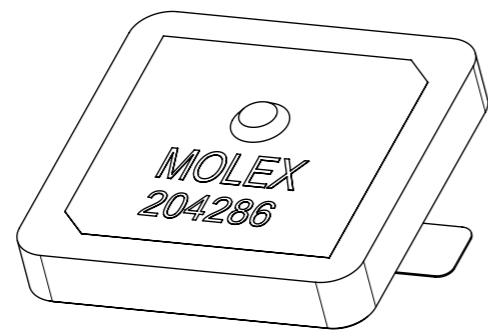
Email & Skype: info@chipsmall.com Web: www.chipsmall.com

Address: A1208, Overseas Decoration Building, #122 Zhenhua RD., Futian, Shenzhen, China





MOLEX SERISE NO.



LINER(RELEASE PAPER)

ADHESIVE AREA

NOTES:

1. MATERIAL: MAIN BODY: CERAMIC; SOLDERING PIN: COPPER ALLOY
2. PLATING ON CERAMIC: Ag 4-7um
3. PLATING ON SOLDERING PIN: Sn 2-5um OVER Ni 1-3um
4. PACKAGE SPEC. REFER TO 2042810001 PK DRAWING
5. PRODUCT SPEC. REFER TO 2042810001 PS
6. APPLICATION SPEC. REFER TO 2042810001 AS

THIS DRAWING CONTAINS INFORMATION THAT IS PROPRIETARY TO MOLEX ELECTRONIC TECHNOLOGIES, LLC AND SHOULD NOT BE USED WITHOUT WRITTEN PERMISSION											
QUALITY SYMBOLS ▽A = 0 ▽E = 0 ▽F = 0 ▼ = 0 ▽C = 0 ⊠ = 0 ■ = 0 ▽ = 0	EC NO: 117125 DRWN: CXU11 CHK'D: ZLRAO REV APPR:	2017/05/18 2017/05/23	GENERAL TOLERANCES (UNLESS SPECIFIED)		DIMENSION UNITS	SCALE					
			ANGULAR TOL ± °		MM	3:1					
			4 PLACES ±		DRWN BY	DATE	SD DRAWING FOR BEIDOU GPS GLONASS ANT				
			3 PLACES ±		CXU11	2017/05/11					
			2 PLACES ± 0.1		CHK'D BY	DATE	PRODUCT CUSTOMER DRAWING				
1 PLACE ± 0.2		TZHOU07	2017/05/11								
0 PLACES ±		APPR BY	DATE	SERIES: 204286 MATERIAL NUMBER: 2042860001 CUSTOMER:							
DRAFT WHERE APPLICABLE MUST REMAIN WITHIN DIMENSIONS		XJSONG	2017/05/17								
		DRAWING SIZE	THIRD ANGLE PROJECTION	DOCUMENT NUMBER: 2042860001 DOC TYPE: PSD DOC PART: 000 SHEET NUMBER: 1 OF 2							
		A3	<input checked="" type="checkbox"/>								

9 8 7 6 5 4 3 2 1

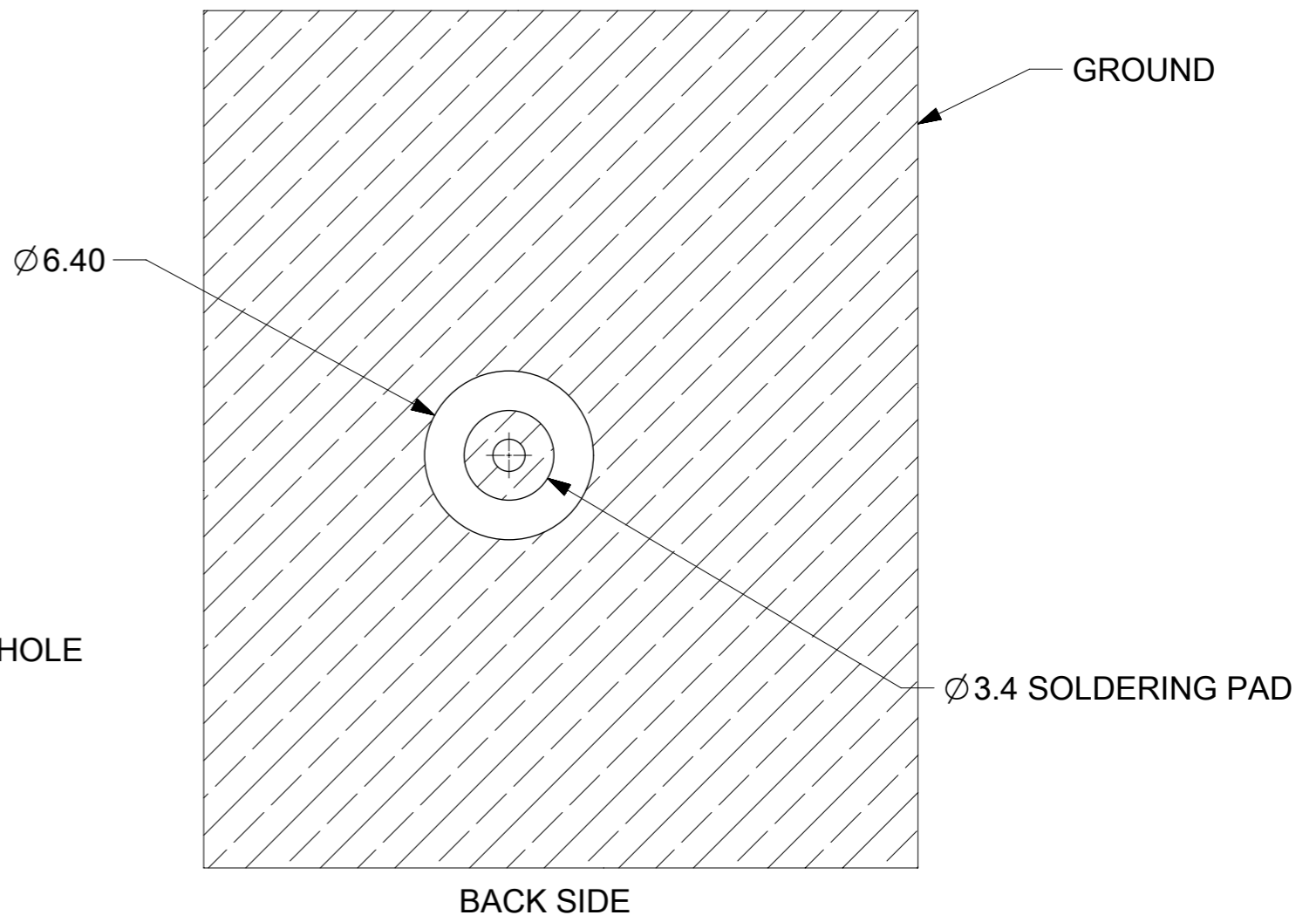
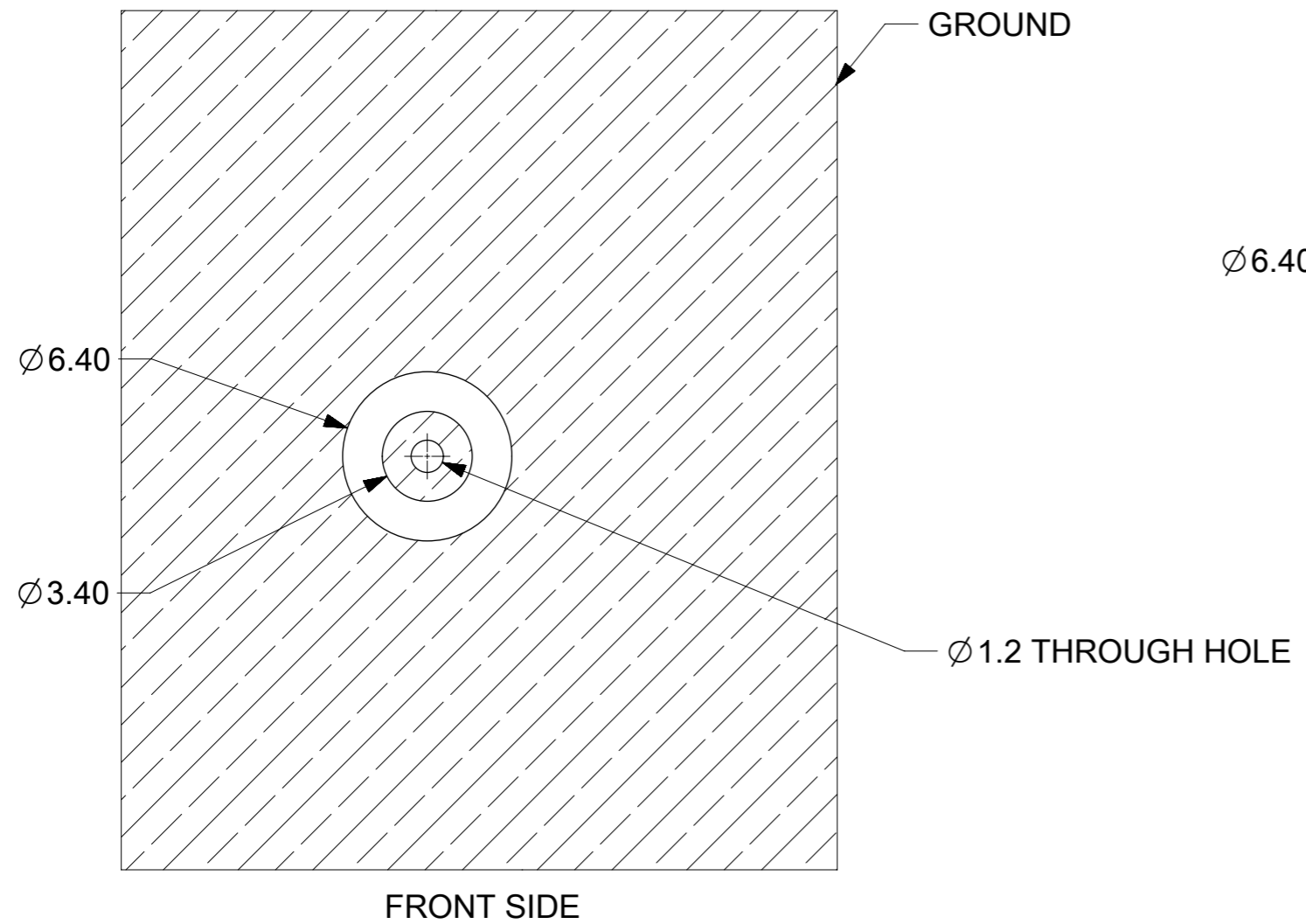
E

D

C

B

A



RECOMMENDED PCB LAYOUT
(THICKNESS: 1.6MM)

QUALITY SYMBOLS ▽A = 0 ▽E = 0 ▽F = 0 ▽ = 0 ▽C = 0 ⊗ = 0 ■ = 0 ▽ = 0	THIS DRAWING CONTAINS INFORMATION THAT IS PROPRIETARY TO MOLEX ELECTRONIC TECHNOLOGIES, LLC AND SHOULD NOT BE USED WITHOUT WRITTEN PERMISSION										
	EC NO: 117125 DRWN: CXU11 CHK'D: ZLRAO REV APPR:	2017/05/18 2017/05/23	GENERAL TOLERANCES (UNLESS SPECIFIED)		DIMENSION UNITS	SCALE					
			ANGULAR TOL ± °		MM	4:1					
			4 PLACES ±		DRWN BY	DATE					
			3 PLACES ±		CXU11	2017/05/11	SD DRAWING FOR BEIDOU GPS GLONASS ANT				
			2 PLACES ± 0.1		CHK'D BY	DATE					
	1 PLACE ± 0.2		TZHOU07	2017/05/11	PRODUCT CUSTOMER DRAWING						
	0 PLACES ±		APPR BY	DATE	SERIES	MATERIAL NUMBER	CUSTOMER				
	DRAFT WHERE APPLICABLE MUST REMAIN WITHIN DIMENSIONS		DRAWING SIZE	THIRD ANGLE PROJECTION	204286	2042860001					
			A3	<input checked="" type="checkbox"/>	DOCUMENT NUMBER		DOC TYPE	DOC PART	SHEET NUMBER		
				2042860001		PSD	000	2 OF 2			

9 8 7 6 5 4 3 2 1