



Chipsmall Limited consists of a professional team with an average of over 10 year of expertise in the distribution of electronic components. Based in Hongkong, we have already established firm and mutual-benefit business relationships with customers from,Europe,America and south Asia,supplying obsolete and hard-to-find components to meet their specific needs.

With the principle of “Quality Parts,Customers Priority,Honest Operation,and Considerate Service”,our business mainly focus on the distribution of electronic components. Line cards we deal with include Microchip,ALPS,ROHM,Xilinx,Pulse,ON,Everlight and Freescale. Main products comprise IC,Modules,Potentiometer,IC Socket,Relay,Connector.Our parts cover such applications as commercial,industrial, and automotives areas.

We are looking forward to setting up business relationship with you and hope to provide you with the best service and solution. Let us make a better world for our industry!



Contact us

Tel: +86-755-8981 8866 Fax: +86-755-8427 6832

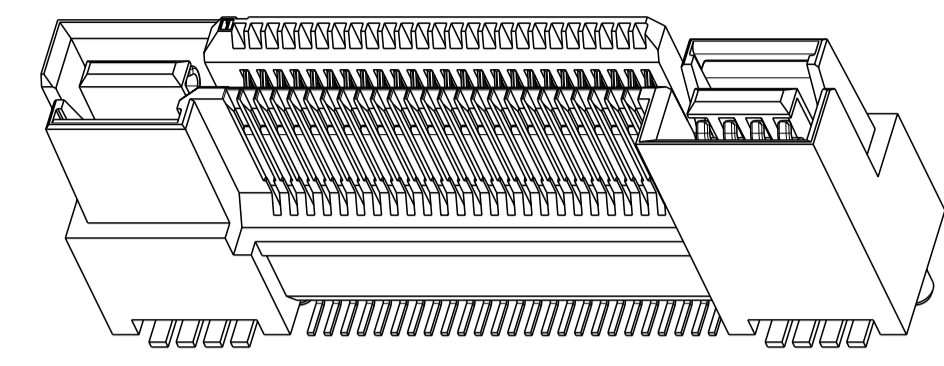
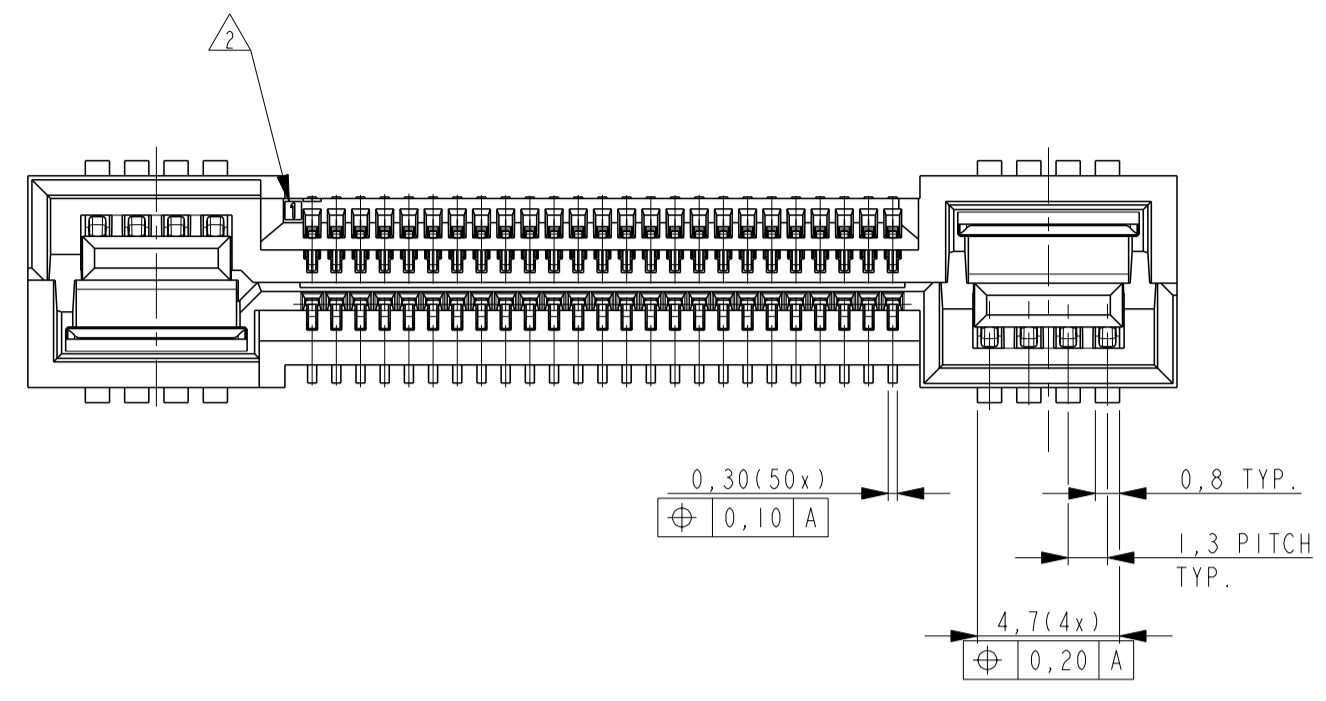
Email & Skype: info@chipsmall.com Web: www.chipsmall.com

Address: A1208, Overseas Decoration Building, #122 Zhenhua RD., Futian, Shenzhen, China



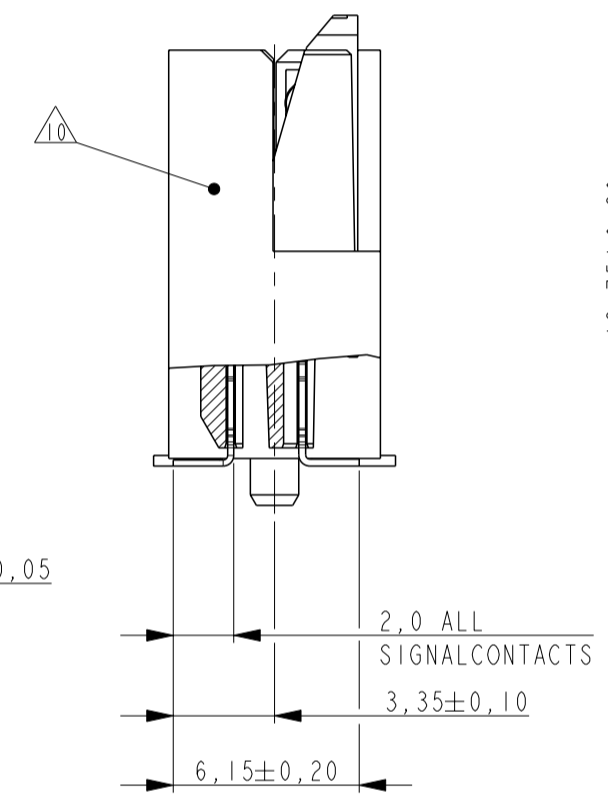
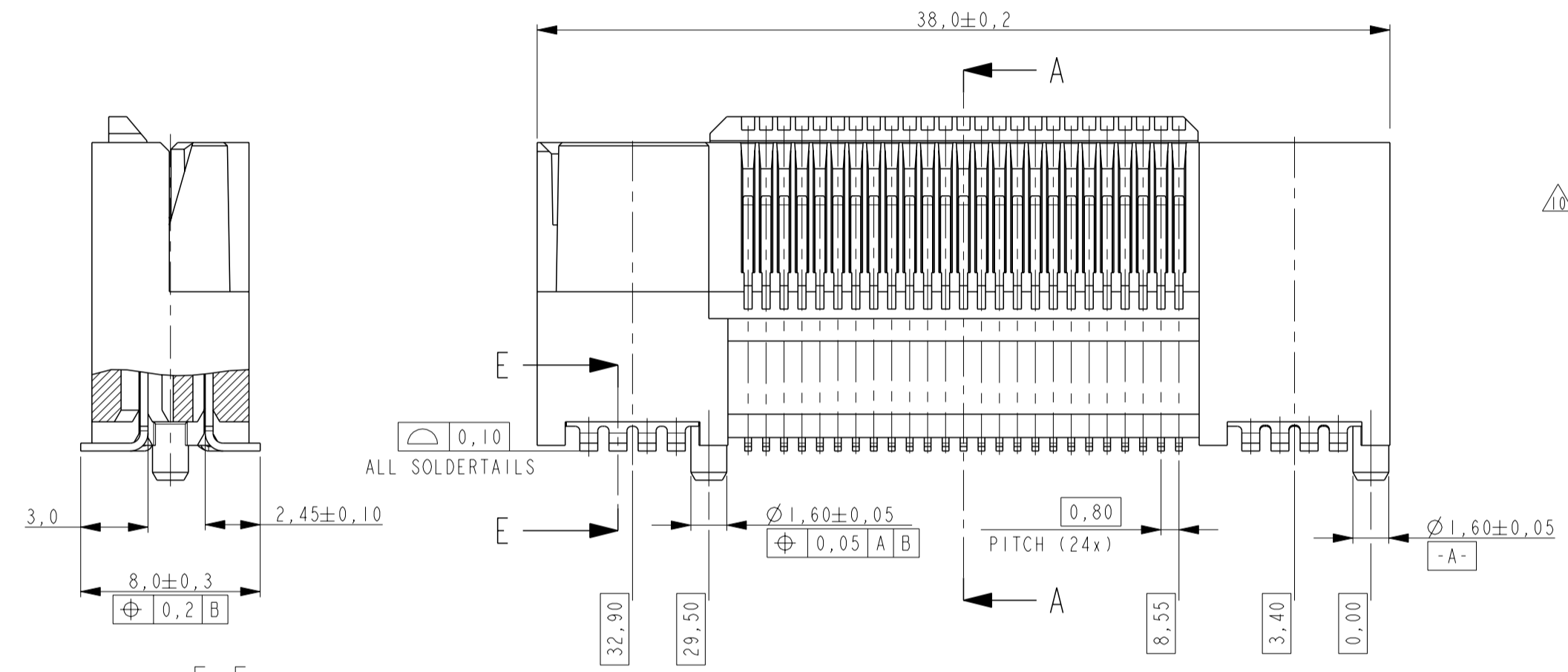
THIS DRAWING IS UNPUBLISHED. RELEASED FOR PUBLICATION
 © COPYRIGHT BY ALL RIGHTS RESERVED.

REVISIONS					
P	LTR	DESCRIPTION	DATE	DWN	APVD
A		RELEASED PER ECR-11-009736	10MAY2011	RD	TdB
B		ECR-11-018362	05SEP2011	RD	TdB



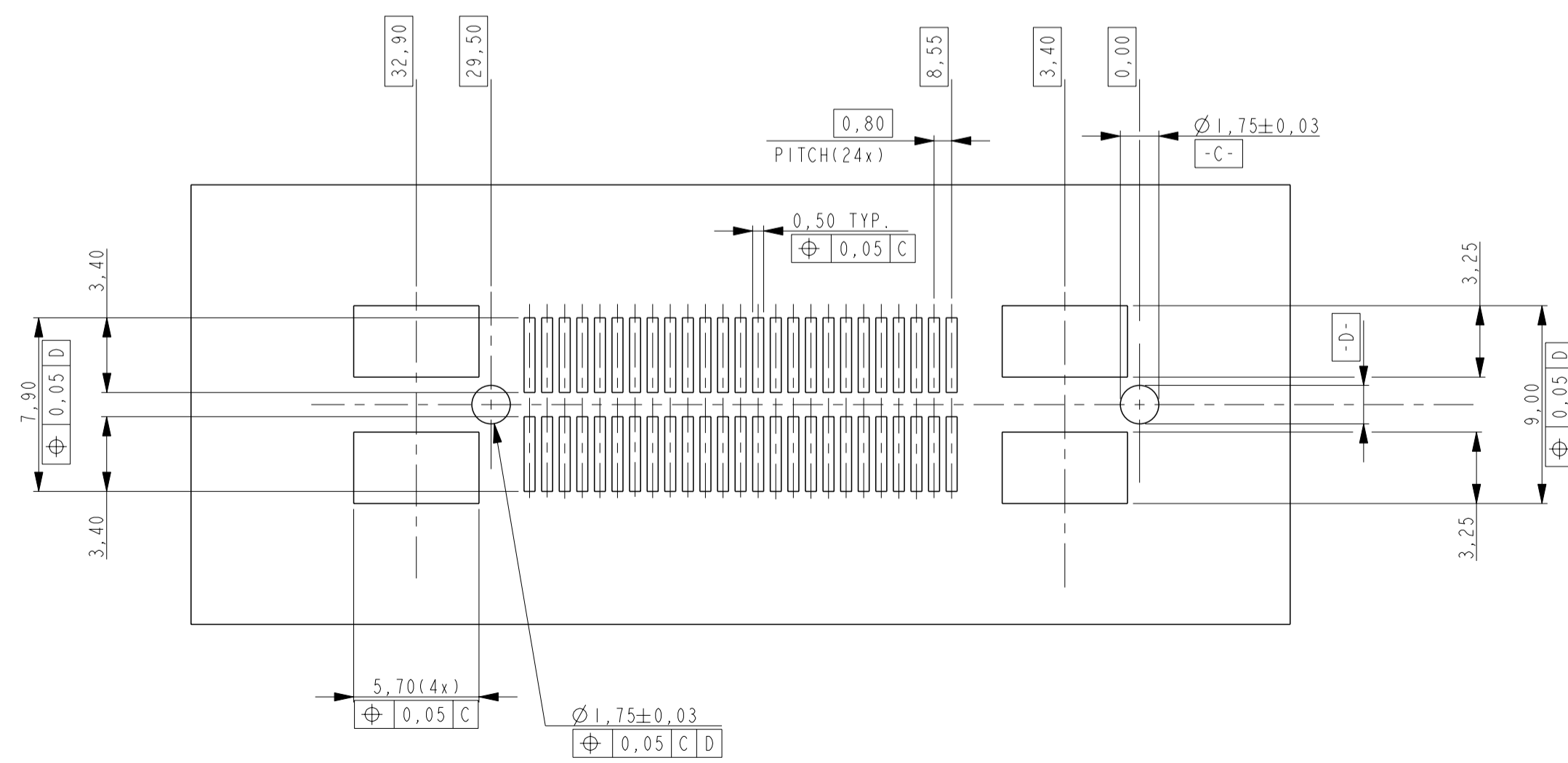
SCALE 3:1

- NOTES:
- MATERIAL: -CONTACTS: COPPER ALLOY.
-HOUSING: LCP (COLOR NATURAL)
-PICK AND PLACE ADAPTER: PA4.6.
 - FINISH : -SIGNALCONTACTS: Ni UNDERLAYER, Au AT CONTACTSPOTS Sn AT SOLDERTAILS.
-POWERCONTACTS: Ni UNDERLAYER, Au AT CONTACTSPOTS Sn AT SOLDERTAILS.
 - CONTACT POSITION INDEX (NR 1 AND TRIANGLE SYMBOL).
 - CONNECTOR IS NOT SUITABLE FOR HIGH SPEED APPLICATIONS.
 - PCB STACKING HEIGHT: 21,5±0,5mm.
 - CONTACT WIPE AT NOMINAL STACKING HEIGHT:
SIGNAL CONTACTS: 1,5±0,2mm; POWER CONTACTS: 2,5±0,2mm.
 - PACKAGED IN ANTISTATIC TAPE AND REEL.
EMBOSSED CARRIER TAPE DIMENSIONS ACCORDING SPECIFICATION EIA-481-B. SEE SHEET 2 FOR MORE DETAILS.
 - REELDIAMETER 330mm, NUMBER OF PARTS PER REEL 150 PCS.
 - USER DIRECTION OF UNREELING.
 - WEIGHT OF CONNECTOR INCLUDING PICK AND PLACE ADAPTOR: 4,2g
 - AREA FOR DATE-CODE: yyyyWww EXAMPLE: 2011W05 MEANS WEEK 5 2011 CHARACTER HEIGHT 1,5mm, COLOR BLACK.

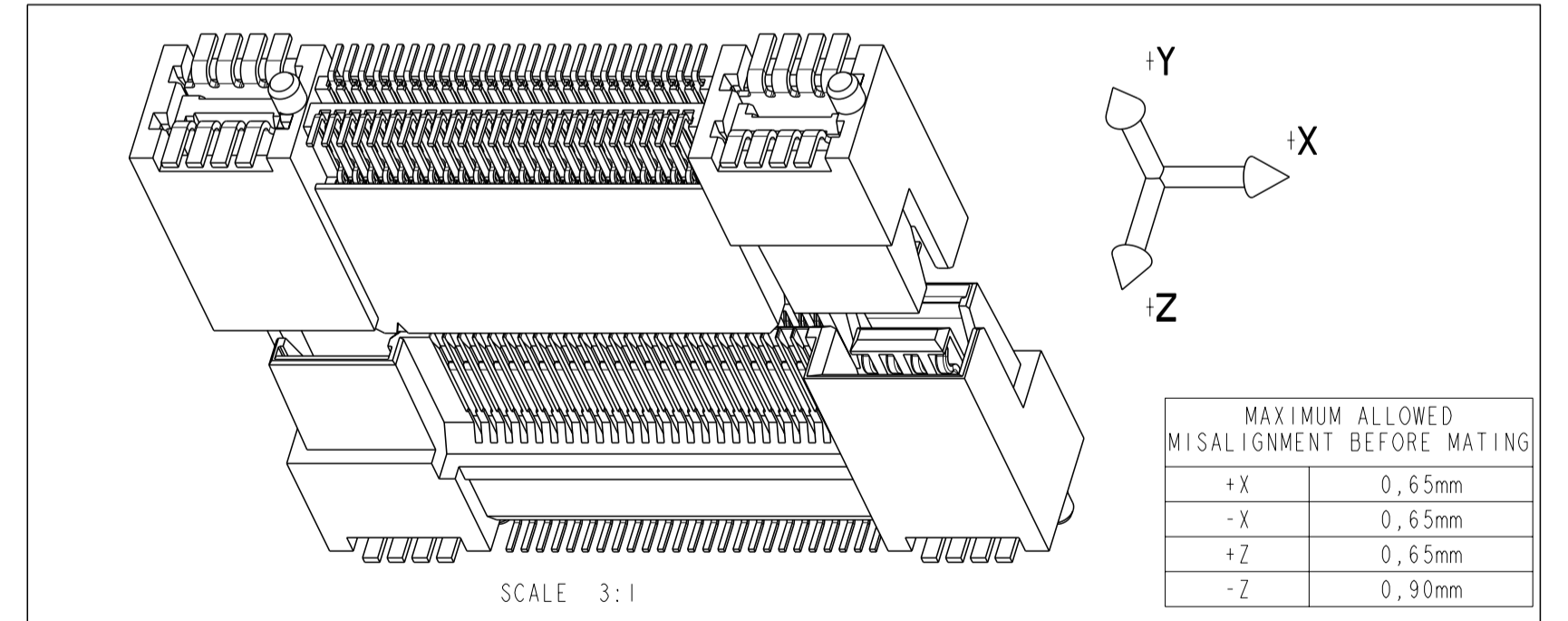


SECTION E-E (POWERCONTACTS)

SECTION A-A (SIGNALCONTACTS)



RECOMMENDED PCB LAYOUT



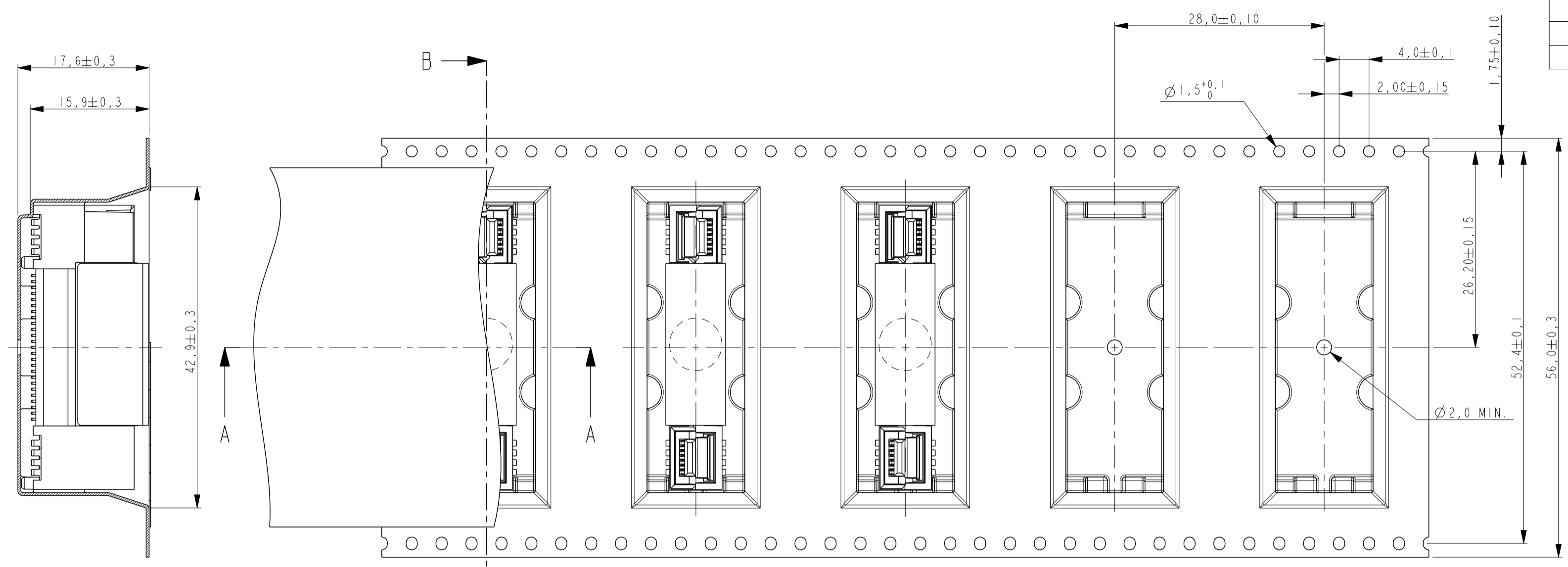
SCALE 3:1

ORDERNUMBER: 2042954-1
 PICK AND PLACE ADAPTOR NOT SHOWN IN THIS SHEET)

THIS DRAWING IS A CONTROLLED DOCUMENT.		DWN 28 OCT 2008 J.V.D. HEIJDEN	TE Connectivity	
		CHK 28 OCT 2008 R. DAAMEN		
DIMENSIONS: mm		APVD T.d. BOER	NAME BOARD TO BOARD CONNECTOR	
TOLERANCES UNLESS OTHERWISE SPECIFIED:		PRODUCT SPEC 108-19398	SIZE A2	
0 PLC ±		APPLICATION SPEC	CAGE CODE 00779	DRAWING NO C-2042954
1 PLC ±0,1		WEIGHT -	RESTRICTED TO -	
2 PLC ±0,05			SCALE 4:1	SHEET 1 OF 2
3 PLC ±				REV B
4 PLC ±				
ANGLES ±				
FINISH ±				
MATERIAL -		CUSTOMER DRAWING		

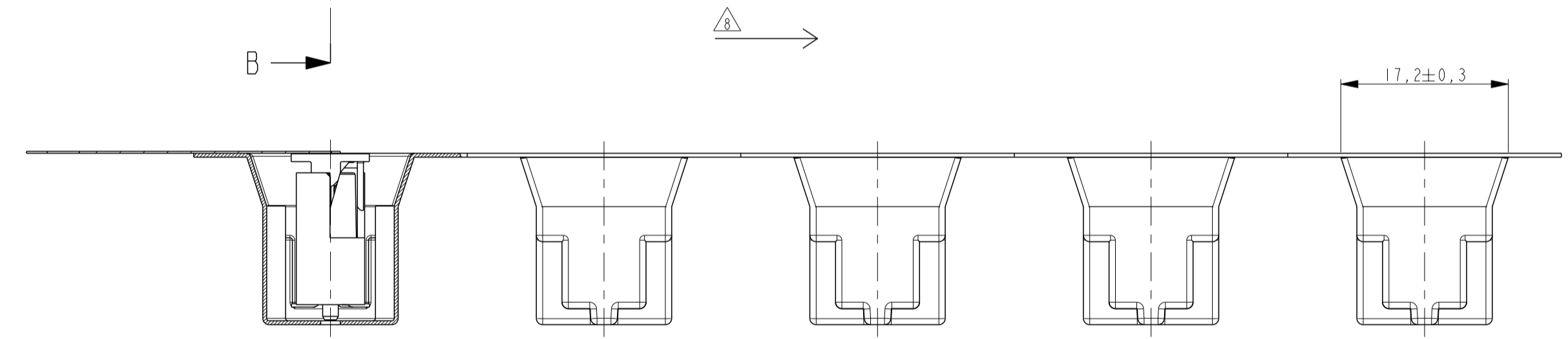
THIS DRAWING IS UNPUBLISHED. RELEASED FOR PUBLICATION
 © COPYRIGHT - BY - ALL RIGHTS RESERVED.

LOC	DIST	REVISIONS			
P	LTR	DESCRIPTION	DATE	DWN	APVD
-	-	SEE SHEET 1	-	-	-

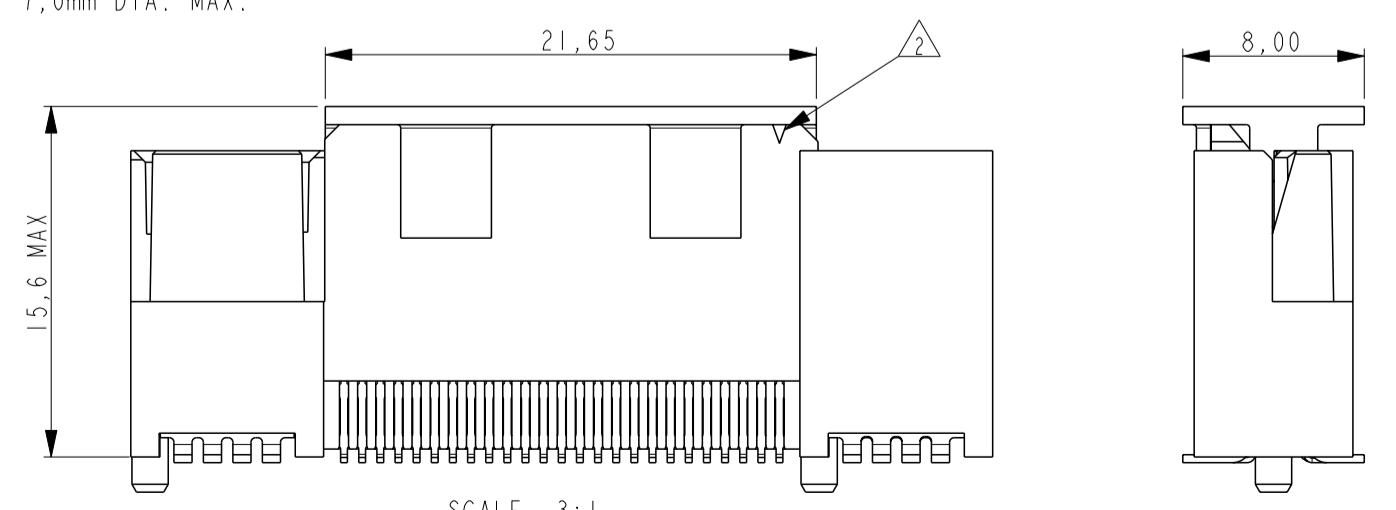


SECTION B-B

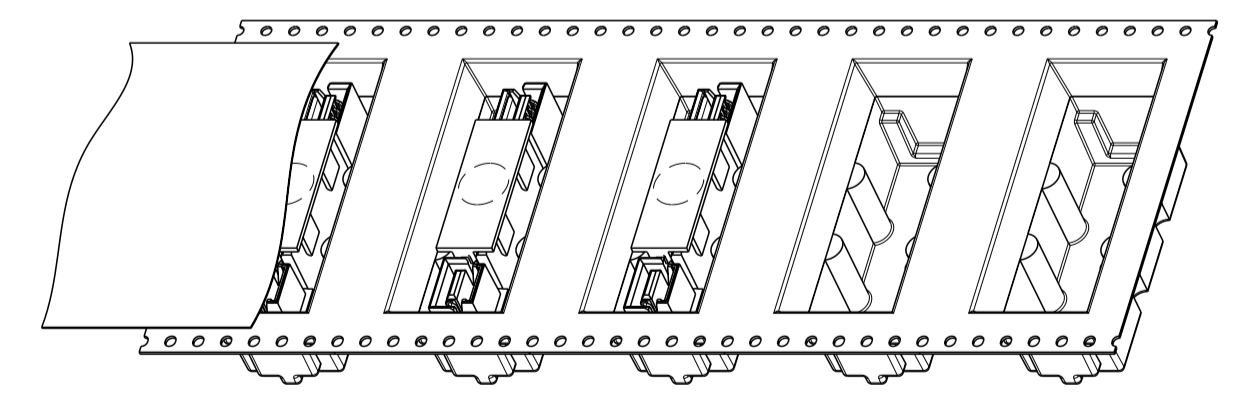
SECTION A-A



PICK & PLACE AREA
 7,0mm DIA. MAX.



SCALE 3:1



SCALE 1:1

THIS DRAWING IS A CONTROLLED DOCUMENT.		DWN	28 OCT 2008	TE Connectivity	
		CHK	28 OCT 2008		
DIMENSIONS:		TOLERANCES UNLESS OTHERWISE SPECIFIED:		NAME	
mm	0 PLC ±-	1 PLC ±0,1	2 PLC ±0,05	BOARD TO BOARD CONNECTOR	
	3 PLC ±-	4 PLC ±-	ANGLES ±-	-	
	FINISH ±-	MATERIAL		SIZE	RESTRICTED TO
				A2	-
		MATERIAL		CAGE CODE	DRAWING NO
				00779	C=2042954
		CUSTOMER DRAWING		SCALE	SHEET
				4:1	2 OF 2
				REV	B