



Chipsmall Limited consists of a professional team with an average of over 10 year of expertise in the distribution of electronic components. Based in Hongkong, we have already established firm and mutual-benefit business relationships with customers from,Europe,America and south Asia,supplying obsolete and hard-to-find components to meet their specific needs.

With the principle of “Quality Parts,Customers Priority,Honest Operation,and Considerate Service”,our business mainly focus on the distribution of electronic components. Line cards we deal with include Microchip,ALPS,ROHM,Xilinx,Pulse,ON,Everlight and Freescale. Main products comprise IC,Modules,Potentiometer,IC Socket,Relay,Connector.Our parts cover such applications as commercial,industrial, and automotives areas.

We are looking forward to setting up business relationship with you and hope to provide you with the best service and solution. Let us make a better world for our industry!



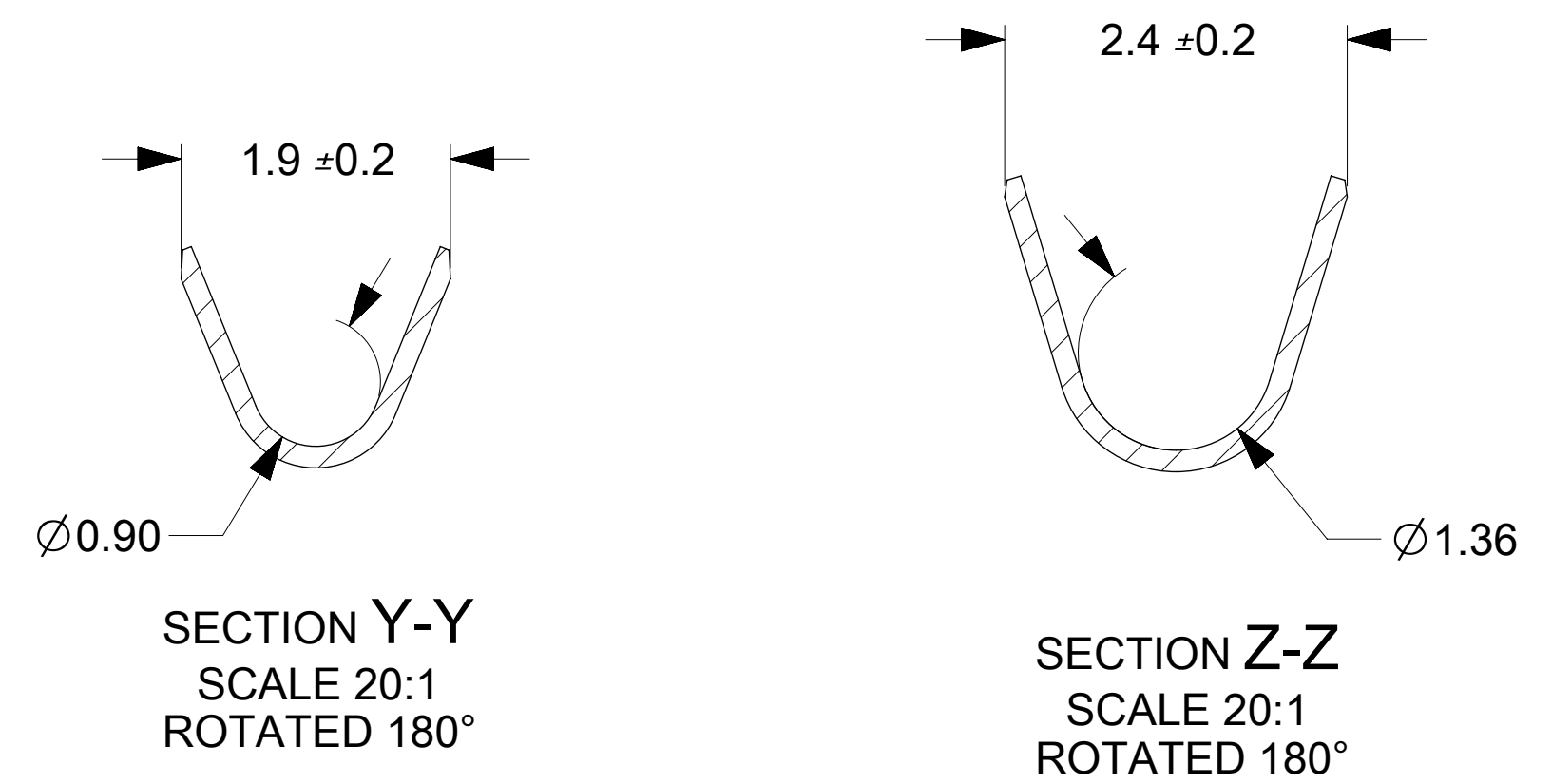
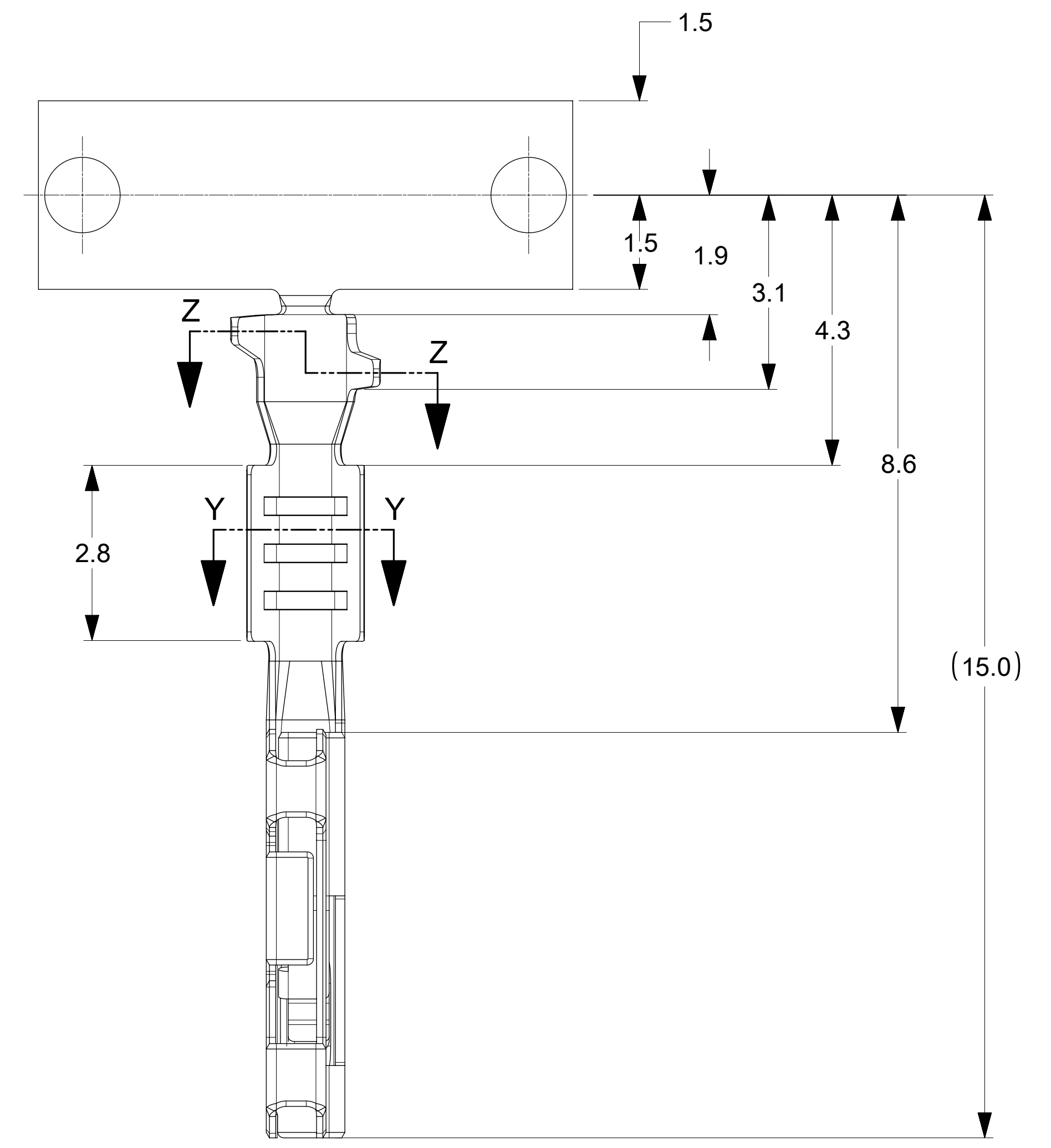
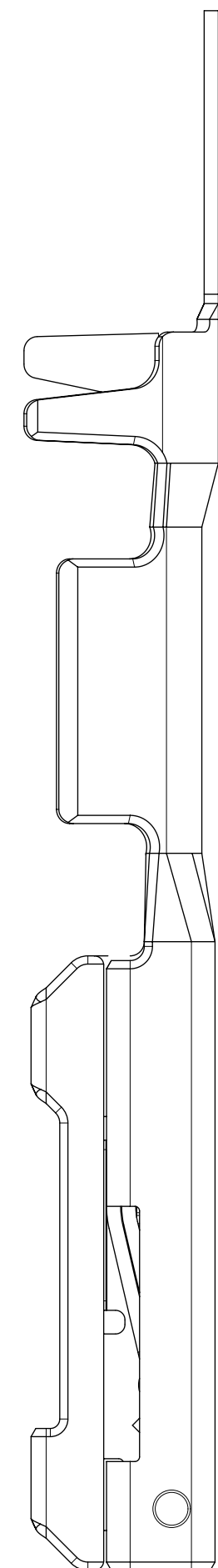
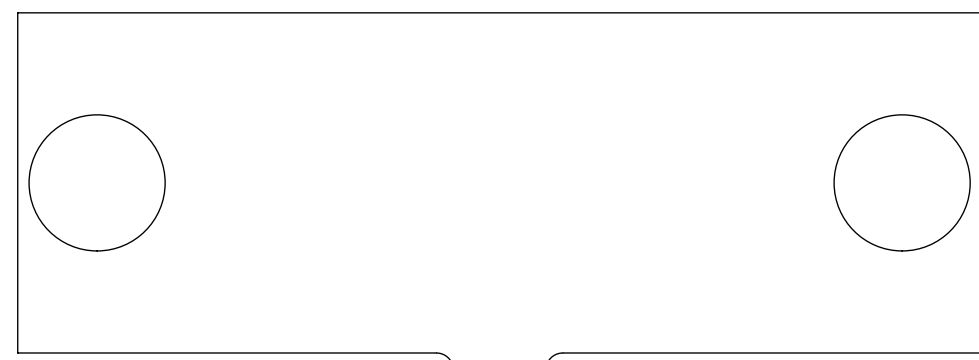
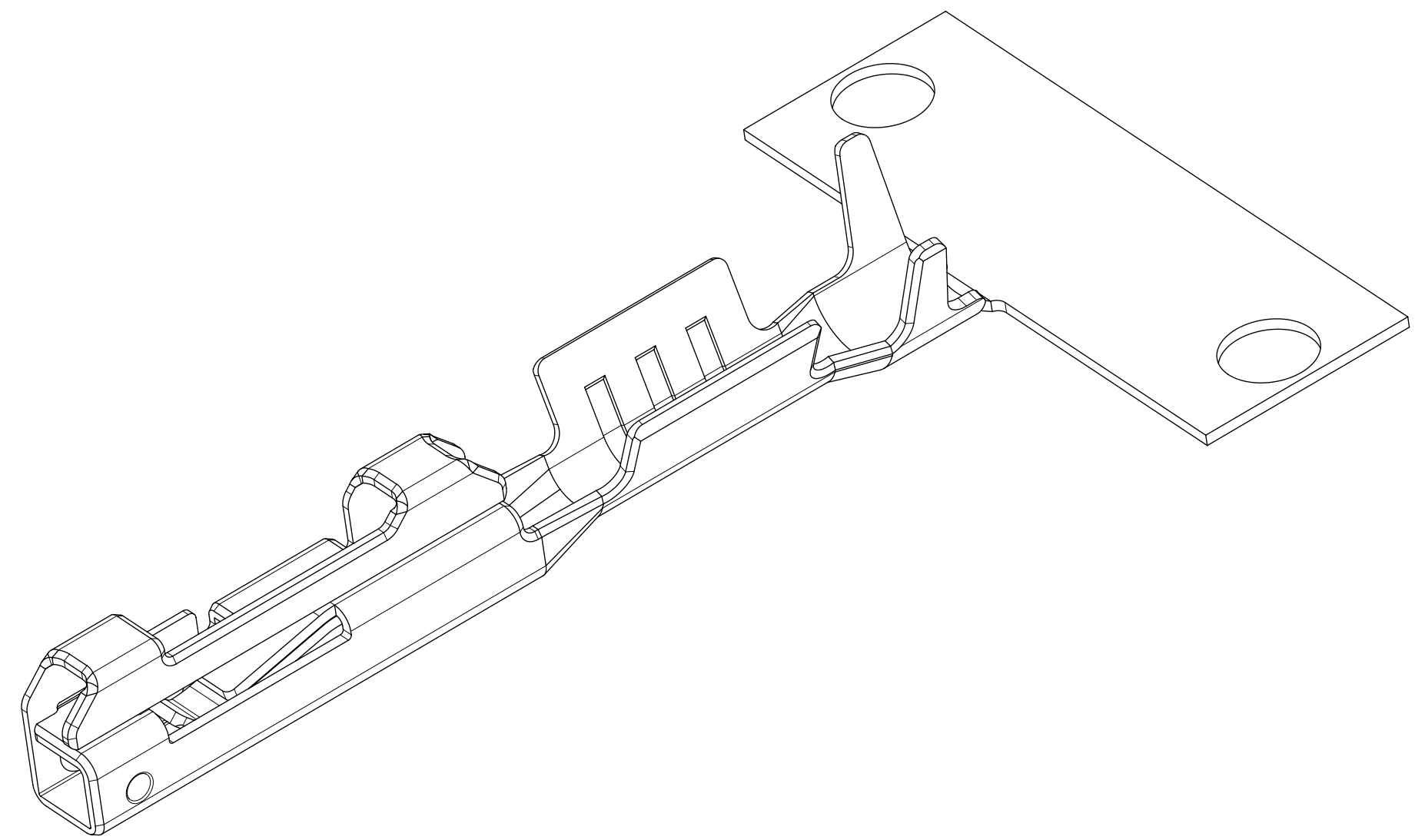
## Contact us

Tel: +86-755-8981 8866 Fax: +86-755-8427 6832

Email & Skype: info@chipsmall.com Web: www.chipsmall.com

Address: A1208, Overseas Decoration Building, #122 Zhenhua RD., Futian, Shenzhen, China





**NOTES:**

1. MATERIAL: COPPER ALLOY
2. FINISH:  
2.5µm MIN OVERALL ELECTROPLATE MATTE TIN OVER  
1.25µm MIN OVERALL ELECTROPLATED MATTE NICKEL
3. PRODUCT SPECIFICATION: 2042200000-PS
4. APPLICATION SPECIFICATION: 2042200000-AS
5. PACKAGING SPECIFICATION: 2043010000-PK
6. THIS CRIMP TERMINAL TO BE USED WITH ASSEMBLY SERIES 204220.
7. THIS CRIMP TERMINAL MATES WITH RECEPTACLE CRIMP TERMINAL SERIES 2042261.
8. THIS PART CONFORMS TO CLASS 'B' REQUIREMENTS OF COSMETIC SPECIFICATION PS-45499-002.
9. WIRE SPECIFICATIONS:  
AWG: 22 and 24 awg  
INSULATION OD RANGE: 0.95mm - 1.4mm
10. CRIMP TOOLING:  
APPLICATOR PART NUMBER: 638083700  
HAND TOOL PART NUMBER: 2002180400

<b>QUALITY SYMBOLS</b> 	THIS DRAWING CONTAINS INFORMATION THAT IS PROPRIETARY TO MOLEX ELECTRONIC TECHNOLOGIES, LLC AND SHOULD NOT BE USED WITHOUT WRITTEN PERMISSION				
	EC NO: 173063 DRWN: TGGREGORI CHKD: RHODGE REV APPR: RHODGE	GENERAL TOLERANCES (UNLESS SPECIFIED) DIMENSION UNITS: mm SCALE: 15:1		  <b>RECEPTACLE CRIMP TERMINAL</b> SQUBA 1.8  PRODUCT CUSTOMER DRAWING	
		ANGULAR TOL ± ° 4 PLACES ± 3 PLACES ± 2 PLACES ± 1 PLACE ± 0.2 0 PLACES ±			
		DRAFT WHERE APPLICABLE MUST REMAIN WITHIN DIMENSIONS			
<b>A2</b>	DRWN BY: TGGREGORI DATE: 2018/03/02	CHKD BY: RHODGE DATE: 2018/03/02	APPR BY: RHODGE DATE: 2018/01/26	DRAWING SIZE: D THIRD ANGLE PROJECTION	
RELEASE STATUS: P1 RELEASE DATE: 2018/03/02 19:01:24	SERIES: 204301 MATERIAL NUMBER: 2043010001 DOCUMENT NUMBER: 2043010000-SD	CUSTOMER:	DOC TYPE: PSD DOC PART: 000 SHEET NUMBER: 1 OF 1		