



Chipsmall Limited consists of a professional team with an average of over 10 year of expertise in the distribution of electronic components. Based in Hongkong, we have already established firm and mutual-benefit business relationships with customers from,Europe,America and south Asia,supplying obsolete and hard-to-find components to meet their specific needs.

With the principle of “Quality Parts,Customers Priority,Honest Operation,and Considerate Service”,our business mainly focus on the distribution of electronic components. Line cards we deal with include Microchip,ALPS,ROHM,Xilinx,Pulse,ON,Everlight and Freescale. Main products comprise IC,Modules,Potentiometer,IC Socket,Relay,Connector.Our parts cover such applications as commercial,industrial, and automotives areas.

We are looking forward to setting up business relationship with you and hope to provide you with the best service and solution. Let us make a better world for our industry!



Contact us

Tel: +86-755-8981 8866 Fax: +86-755-8427 6832

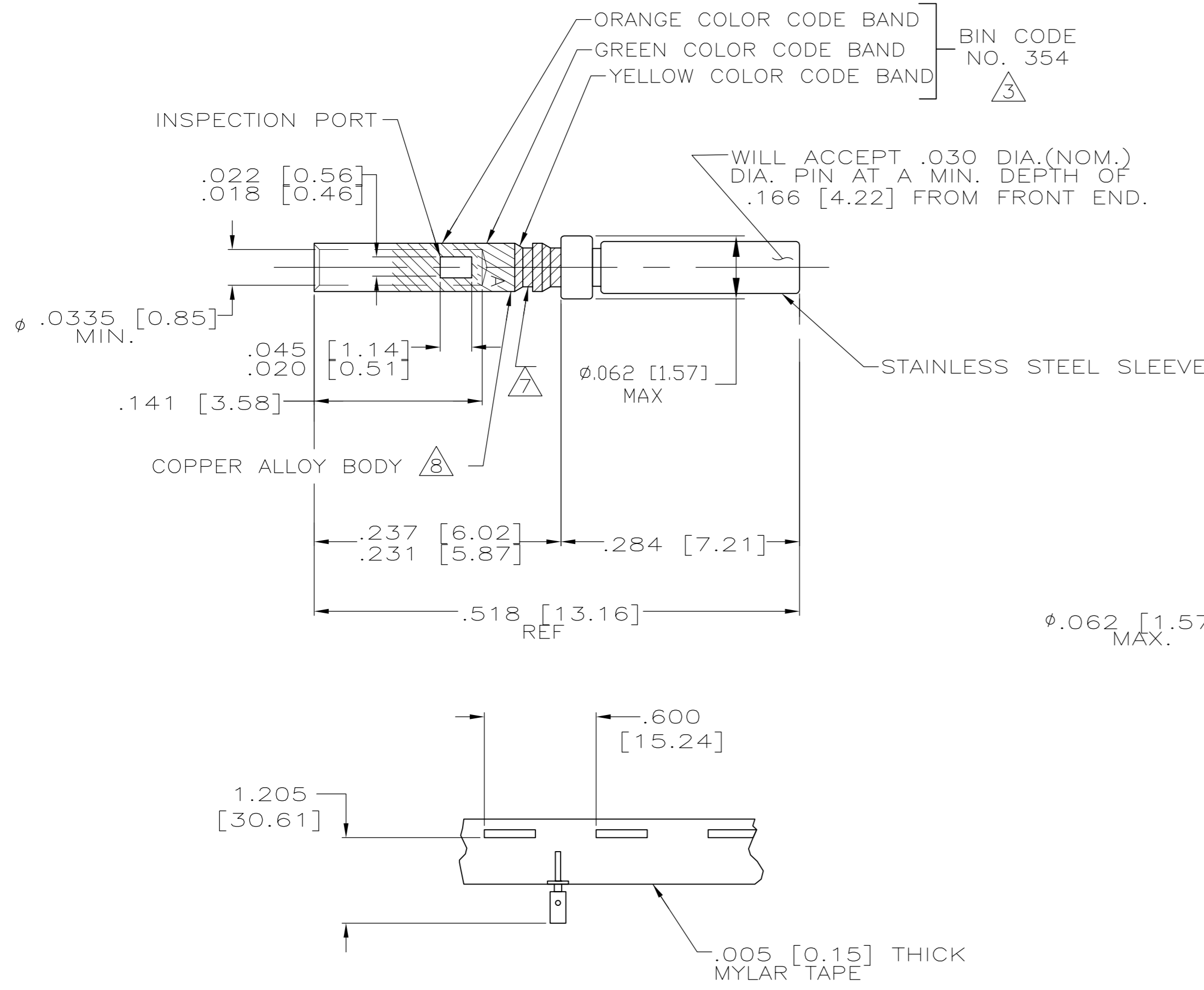
Email & Skype: info@chipsmall.com Web: www.chipsmall.com

Address: A1208, Overseas Decoration Building, #122 Zhenhua RD., Futian, Shenzhen, China

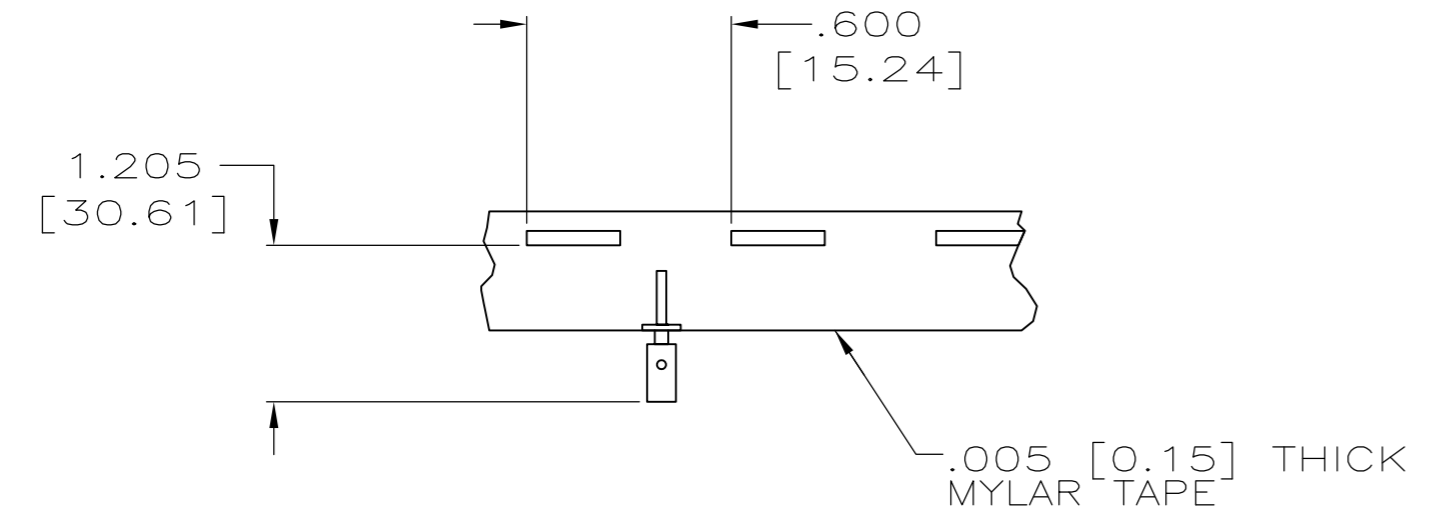
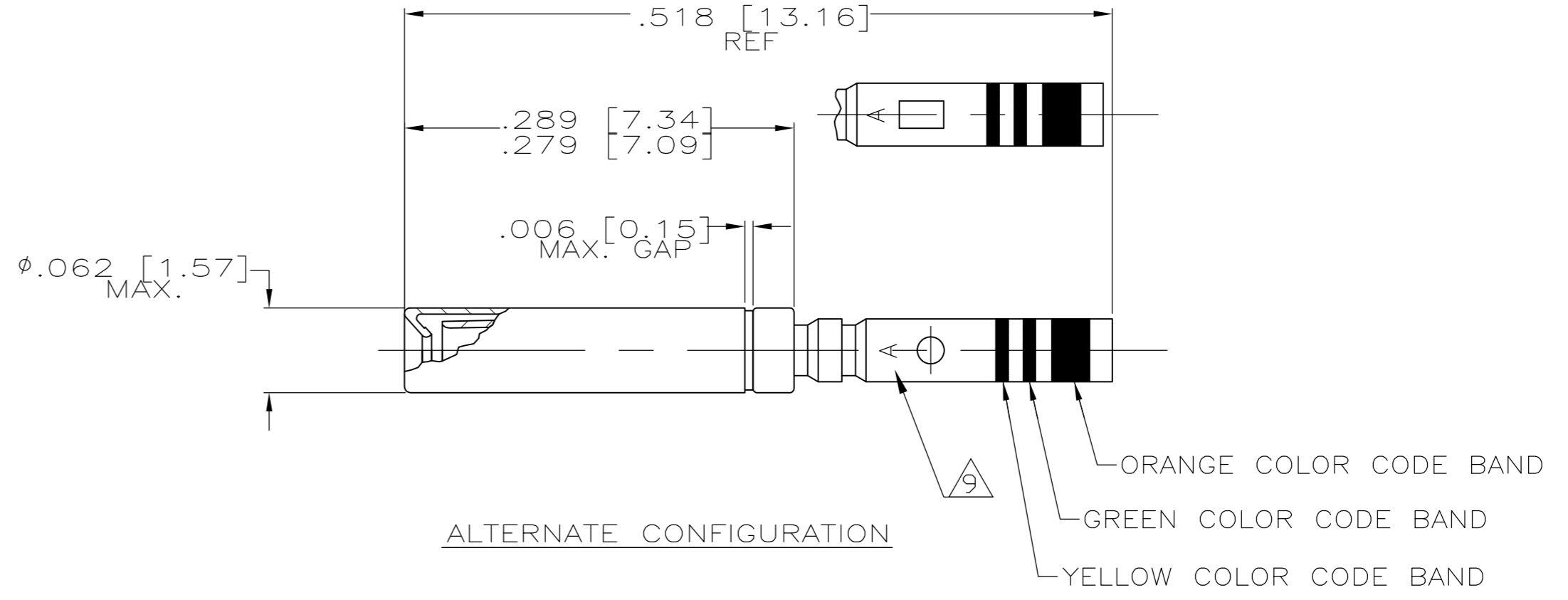


THIS DRAWING IS UNPUBLISHED. RELEASED FOR PUBLICATION
 © COPYRIGHT - By - ALL RIGHTS RESERVED.

LOC	DIST	REVISIONS					
DF	DO	P	LTR	DESCRIPTION	DATE	DWN	APVD
		U		REV PER ECO-12-007856	25APR12	PY	RL



1. WIRE BARREL WILL ACCEPT #22-28 AWG WIRE.
2. CRIMPING TOOL- USE MS3198-1 WITH APPLICABLE POSITIONER.
3. CONTACT CONFORMS TO MIL-C-39029/57, SIZE 22.
4. NET WEIGHT- .102 GRAMS.
5. INSERTION, EXTRACTION TOOL- AMP P/N 91067-1.
6. THIS CONTACT IDENTIFIED AS MS27491-22 SUPERSEDES M24308/12-1.
7. IDENTIFICATION GROOVE IS OPTIONAL.
8. PLATING: GOLD PER ASTM-B-488 OVER NICKEL.
9. MANUFACTURER'S LOGO ("A" OR " - . . . ") LOCALATIONAL OPTIONAL



WHEN ORDERING CONTACT ON TAPE, ORDER BY THE TAPE NUMBER PLUS THE PACKAGING CODE AS FOLLOWS:

2. FOR USE WITH AMP TAPETRONIC, PNEUMATIC TOOL-
 A. 1000 PARTS TO A BOX ADD PACKAGING CODE: 1MBOX
3. FOR USE WITH 4/8 INDENT STRIPPER CRIMPER-
 A. 1000 PARTS TO A REEL ADD PACKAGING CODE: 1MREEL
 B. 5000 PARTS TO A REEL ADD PACKAGING CODE: 5MREEL

CONTACTS ON TAPE; COLOR CODED	8	204351-6
AS SHOWN; COLOR CODED	8	204351-5
AS SHOWN; NO COLOR CODE	8	204351-4
CONTACTS ON TAPE; COLOR CODED	8	204351-2
AS SHOWN; COLOR CODED	8	204351-1
DESCRIPTION	PLATING	PART NO.

THIS DRAWING IS A CONTROLLED DOCUMENT.		DWN R. RINEHART 10-5-90	TE TE Connectivity	
DIMENSIONS: INCHES		CHK R. GILLIMAN 10-10-90		
TOLERANCES UNLESS OTHERWISE SPECIFIED:		APVD R. GILLIMAN 10-10-90	NAME CONTACT ASS'Y, SOCKET SIZE 22D, AMPLIMITE	
0 PLC ± -		PRODUCT SPEC	SIZE CAGE CODE DRAWING NO RESTRICTED TO	
1 PLC ± -		APPLICATION SPEC	A2 00779 C=204351	
2 PLC ± -			WEIGHT .102 GRAMS	
3 PLC ± .005 [0.13]			SCALE 10:1 SHEET 1 OF 1 REV U	
4 PLC ± -			CUSTOMER DRAWING	
ANGLES ± -				
FINISH				