



Chipsmall Limited consists of a professional team with an average of over 10 year of expertise in the distribution of electronic components. Based in Hongkong, we have already established firm and mutual-benefit business relationships with customers from,Europe,America and south Asia,supplying obsolete and hard-to-find components to meet their specific needs.

With the principle of “Quality Parts,Customers Priority,Honest Operation,and Considerate Service”,our business mainly focus on the distribution of electronic components. Line cards we deal with include Microchip,ALPS,ROHM,Xilinx,Pulse,ON,Everlight and Freescale. Main products comprise IC,Modules,Potentiometer,IC Socket,Relay,Connector.Our parts cover such applications as commercial,industrial, and automotives areas.

We are looking forward to setting up business relationship with you and hope to provide you with the best service and solution. Let us make a better world for our industry!



## Contact us

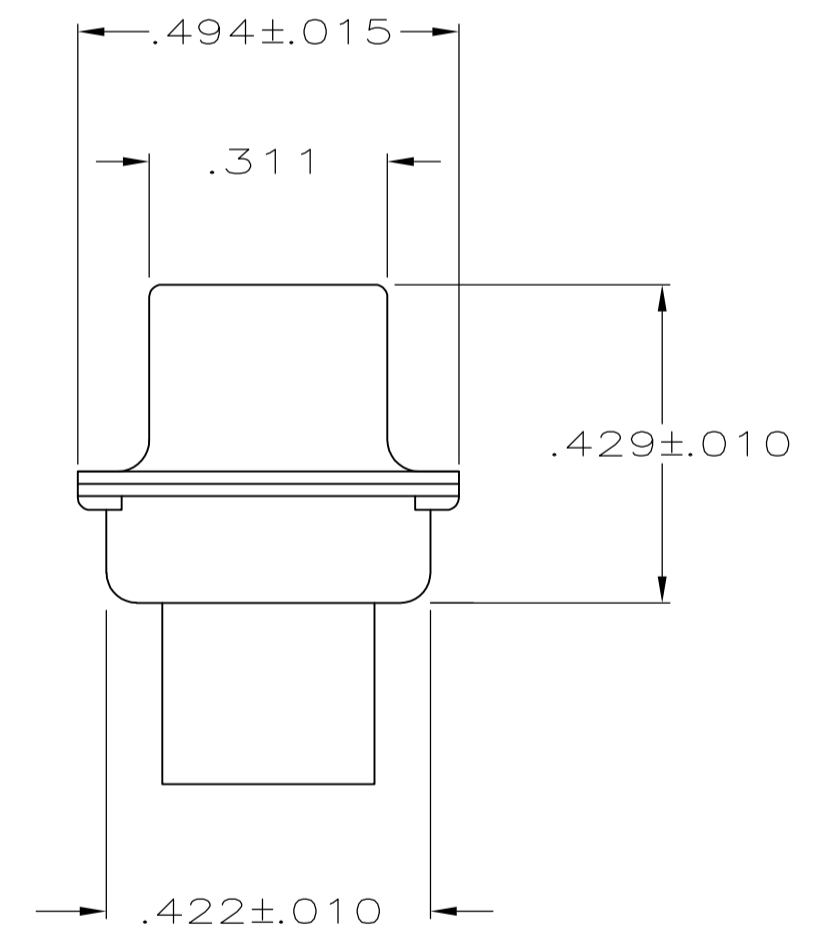
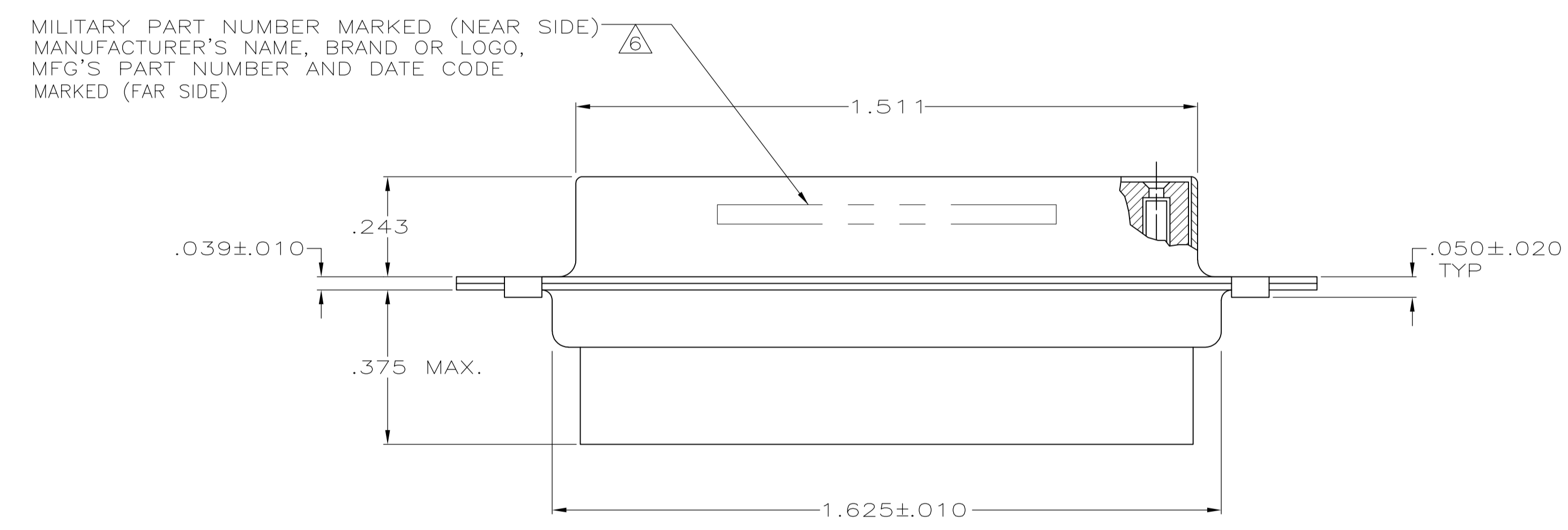
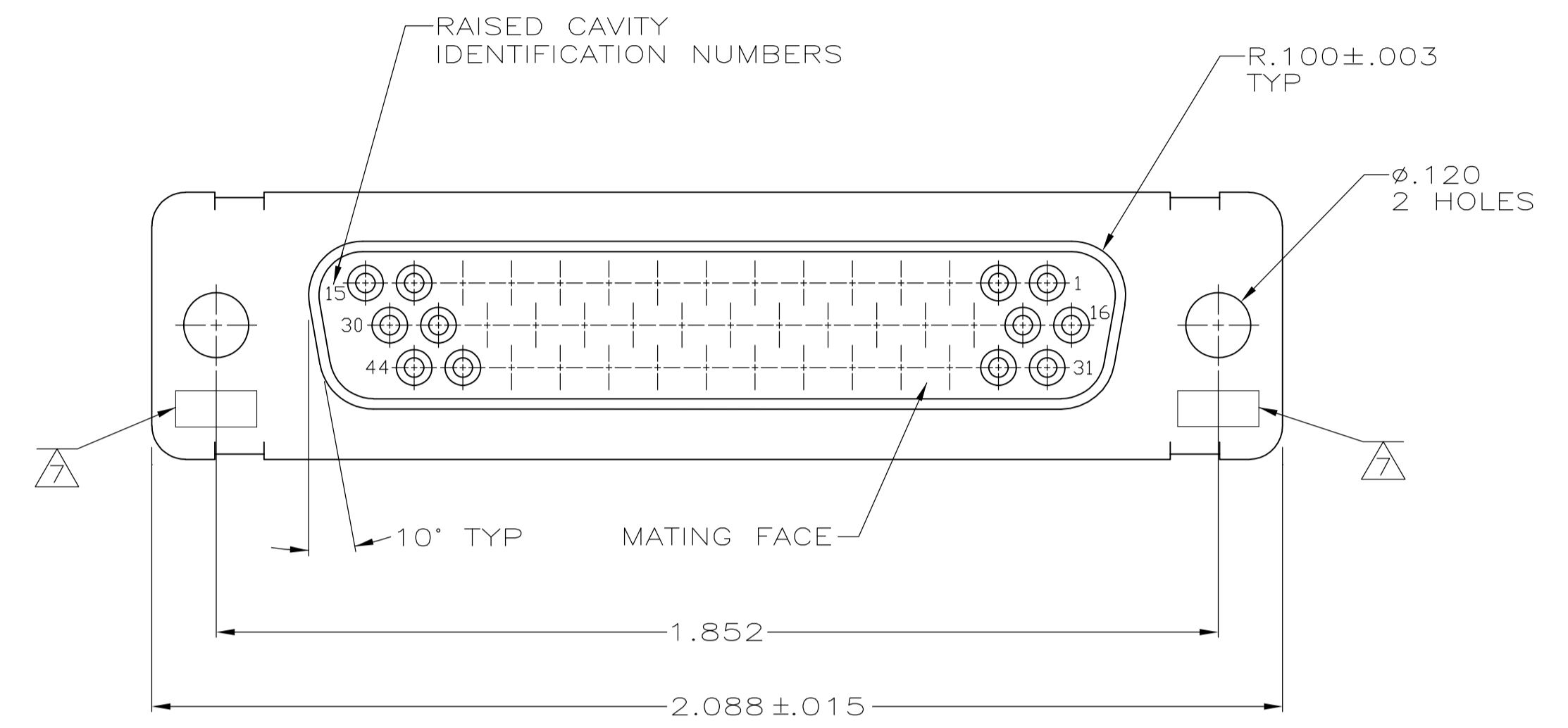
Tel: +86-755-8981 8866 Fax: +86-755-8427 6832

Email & Skype: info@chipsmall.com Web: www.chipsmall.com

Address: A1208, Overseas Decoration Building, #122 Zhenhua RD., Futian, Shenzhen, China



LOC		DIST		REVISIONS			
DF	DO	REV	DATE	BY	APPV	DATE	BY
Z		REVISED PER	ECO-09-012541			02-04-09	CT RL



1. THIS RCPT IS DESIGNED TO CONFORM TO THE LATEST ISSUE OF MIL-C-24308. EXCEPT AS NOTED HEREIN.
2. MAX WIRE INSUL TO BE USED WITH THIS RCPT IS  $\phi$ .054.
3. METAL RETENTION CLIPS ARE INCLUDED IN INSERTS.
4. PACKAGE STAMPED M24308/2-288F.
5. THIS RCPT WILL ACCEPT SIZE 22 SOCKET CONTACT M 39029/57-354 OR ANY TE HDD-22 SOCKET CONTACT.
6. MFG'S PART NO. STAMPED ON CONNECTOR REPRESENTS KIT NUMBER WITH CONTACTS.
7. UL & CSA DESIGNATION STAMPED ON SHELL, OPTIONAL.
8. POLYPHENYLENE SULFIDE (PPS) GST-40F PER MIL-M-24519 OR GLASS FILLED POLYESTER TPES013G30 PER ASTM D5927
9. PHENOLIC  
COLOR: BLACK  
OR POLYPHENYLENE SULFIDE(PPS)  
PER MIL-M24519, TYPE GST-40F  
COLOR: BLACK
10. STEEL PER ASTM-A-109 OR EQUIVALENT.
11. BRASS PER ASTM-B-36.
12. FINISH: CADMIUM PER QQ-P-416, TYPE II, CLASS 2 OVER COPPER PER AMS2418, CLASS 4.
13. FINISH: ZINC .000200-.000400 THK., YELLOW CHROMATE.
14. FINISH: TIN PER ASTM-B-545, .000200 MIN THK THK OVER COPPER PER AMS2418, .000050 MIN THK.
15. PACKAGE STAMPED M24308/6-288F.
16. FINISH: BRIGHT TIN PER ASTM-B-545, .000400-.000550 THK OVER COPPER PER AMS2418, .000050 MIN THK.

-	8	10	16	204504-5	-	204504-5
-	8	10	14	-	-	204504-4
SUPSD. BY 206504-1	9	10	12	-	-	204504-3
SUPSD. BY 206064-4	7	8	11	204504-4	M24308/6-13F	204504-2
4	8	10	12	204516-2	M24308/2-13F	204504-1
REMARKS	INSERT MATERIAL	SHELL MATERIAL	SHELL FINISH	INK STAMP MFG'S PART NO.	MARKED MILITARY PART NUMBER	PART NUMBER

THIS DRAWING IS A CONTROLLED DOCUMENT.

DIMENSIONS: INCHES	TOLERANCES UNLESS OTHERWISE SPECIFIED:	0 PLC ± -	1 PLC ± -	2 PLC ± -	3 PLC ± .005	4 PLC ± -	ANGLES ± 0', 30'
MATERIAL SEE TABLE	FINISH SEE CALLOUTS	WEIGHT	SCALE	SIZE	CAGE CODE	DRAWING NO	RESTRICTED TO
			4:1	A1	00779	204504	

CUSTOMER DRAWING

DATE: 01DEC87  
 C.C. THOMAS  
 F. RALLEW  
 F. RALLEW  
 Tyco Electronics Corporation  
 Harrisburg, PA 17105-3608  
 AMPLIMITE RCPT FOR SOCKET CONTACTS  
 HI-DENSITY CONNECTOR  
 SIZE 3, 44 POSITION, SERIES 90  
 SHEET 1 OF 1 REV Z