



Chipsmall Limited consists of a professional team with an average of over 10 year of expertise in the distribution of electronic components. Based in Hongkong, we have already established firm and mutual-benefit business relationships with customers from,Europe,America and south Asia,supplying obsolete and hard-to-find components to meet their specific needs.

With the principle of "Quality Parts,Customers Priority,Honest Operation,and Considerate Service",our business mainly focus on the distribution of electronic components. Line cards we deal with include Microchip,ALPS,ROHM,Xilinx,Pulse,ON,Everlight and Freescale. Main products comprise IC,Modules,Potentiometer,IC Socket,Relay,Connector.Our parts cover such applications as commercial,industrial, and automotives areas.

We are looking forward to setting up business relationship with you and hope to provide you with the best service and solution. Let us make a better world for our industry!



Contact us

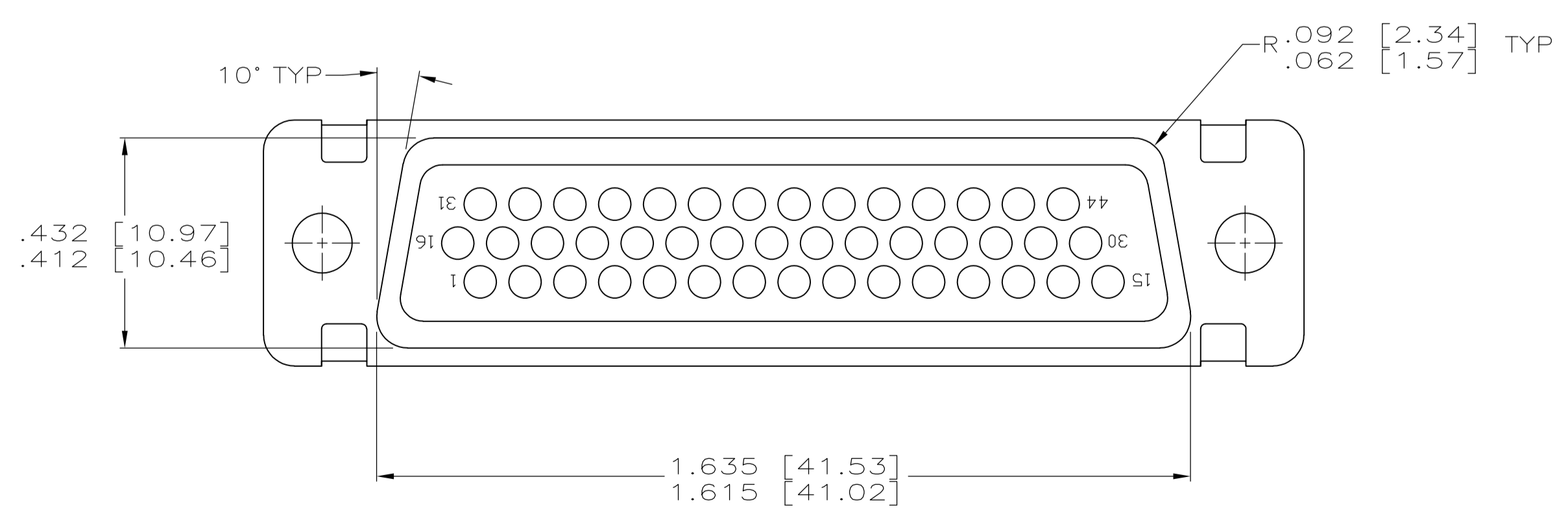
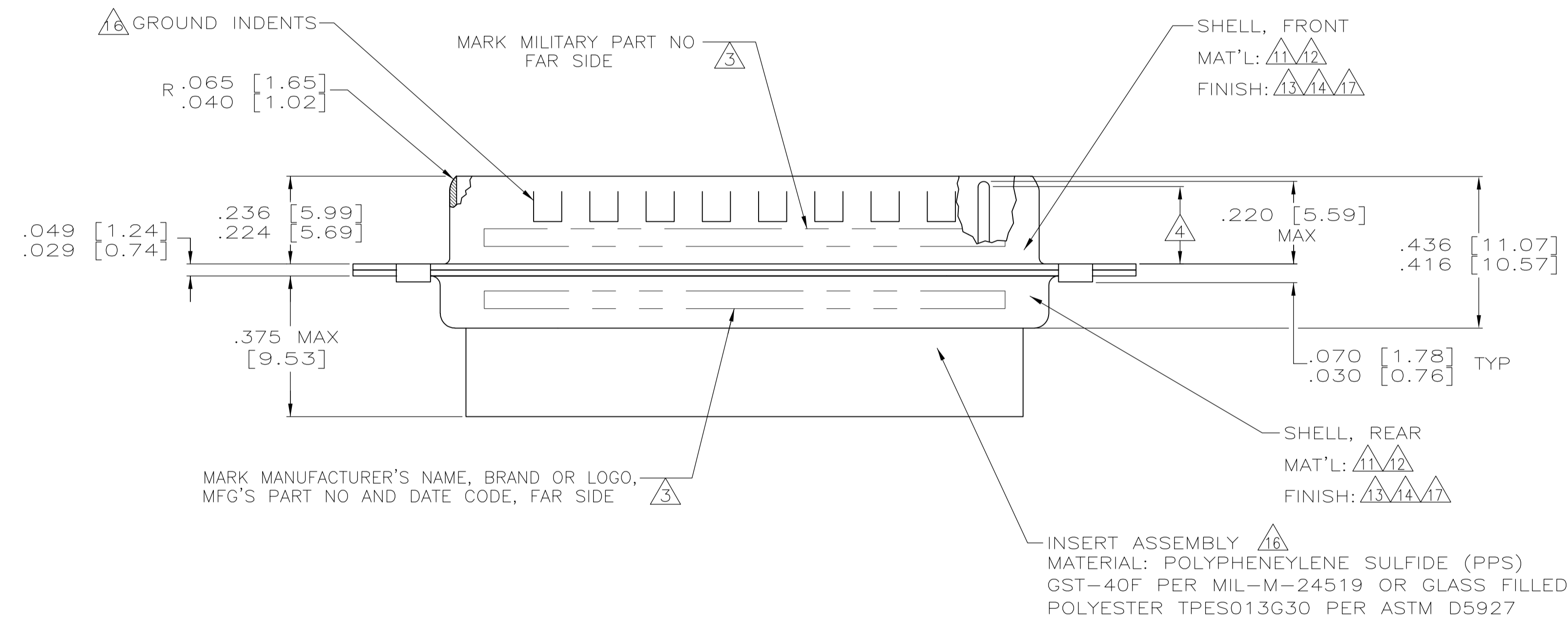
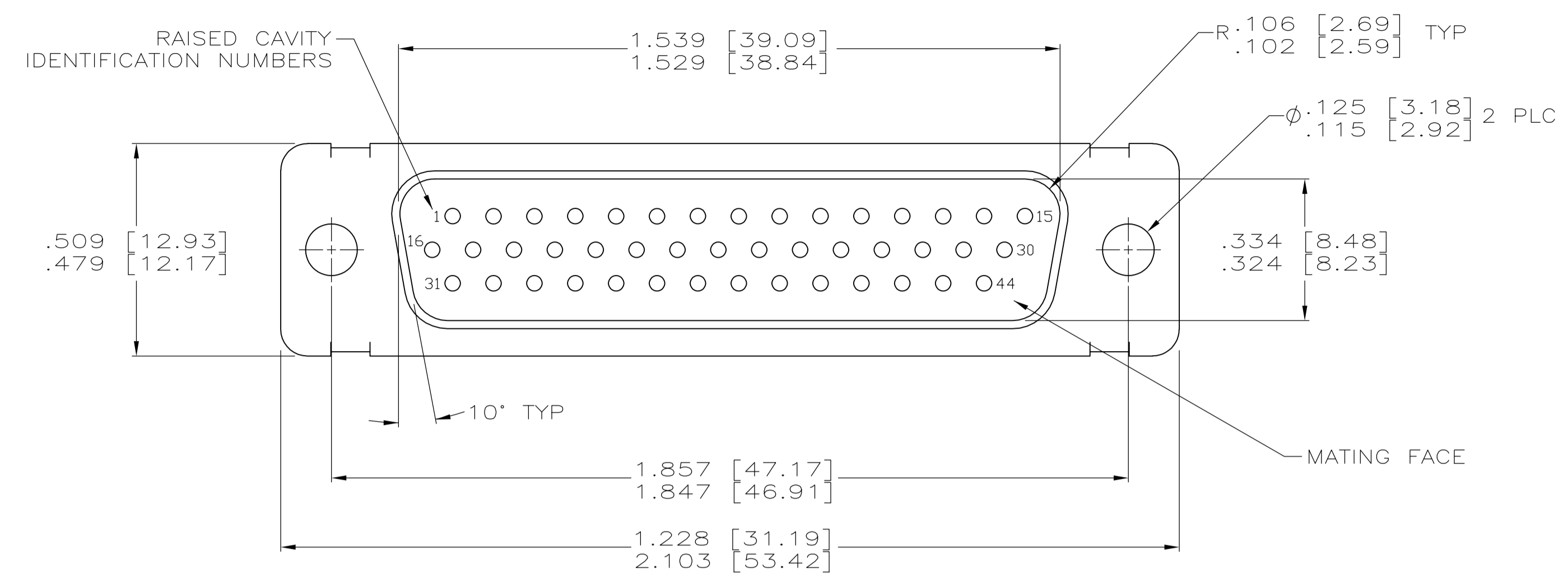
Tel: +86-755-8981 8866 Fax: +86-755-8427 6832

Email & Skype: info@chipsmall.com Web: www.chipsmall.com

Address: A1208, Overseas Decoration Building, #122 Zhenhua RD., Futian, Shenzhen, China



LOC		DIST		REVISIONS			
DF	DO	P	LTR	DESCRIPTION	DATE	DN	APVD
		Y		REVISED PER ECO-09-012541	01-04-09	CT	RL



- THIS CONNECTOR ASSEMBLY IS SUPPLIED WITH METAL CONTACT RETENTION CLIPS INSTALLED IN THE INSERT ASSEMBLY.
- THIS CONNECTOR ASSEMBLY MEETS THE REQUIREMENTS OF MIL-C-24308 AND MATES WITH ANY RECEPTACLE CONNECTOR WITH THE SAME INSERT ARRANGEMENT.
- THE PART NUMBER MARKED ON THE CONNECTOR MAY DIFFER FROM THE PART NUMBER ORDERED DUE TO THE MARKING REQUIREMENTS OF MIL-C-24308 (PART NUMBER MARKED ON CONNECTOR REPRESENTS CONNECTOR ASSEMBLY WITH CONTACTS). MARK WITH .047 [1.19]-.062 [1.57] HIGH CHARACTERS. FAR SIDE REFERS TO THE WIDE SIDE OF THE KEYSTONE.
- FULL PIN DIAMETER EXTENSION IS .155 [3.94] MIN. CONTACT NOT INCLUDED - SHOWN FOR DIMENSIONAL REFERENCE ONLY.
- THIS CONNECTOR ASSEMBLY IS DESIGNED TO ACCEPT SIZE 22 CRIMP TYPE PIN CONTACT MILITARY PART NUMBER M39029/58-360 (TE PART NUMBER 204370-2). FOR ALTERNATE CONTACT OPTIONS CONSULT TE CATALOG.
- MAXIMUM WIRE INSULATION TO BE USED WITH THIS CONNECTOR ASSEMBLY IS .054 [1.37] DIAMETER.
- FOR CONTACT CRIMPING INSTRUCTION SHEET REFER TO TE IS 7516. FOR CONTACT INSTALLATION AND REMOVAL INSTRUCTION SHEET REFER TO TE IS 7508.
- PART NUMBER FOR ORDERING.
- DIMENSIONS AND TOLERANCES PER ANSI Y14.5M-1982.
- THIS DRAWING SHALL BE INTERPRETED IN ACCORDANCE WITH APPLICABLE STANDARDS LISTED IN MIL-STD-100.
- MATERIAL: BRASS ALLOY PER ASTM B 36.
- MATERIAL: STEEL PER ASTM-A-109 OR EQUIVALENT.
- FINISH: CADMIUM PER QQ-P-416, TYPE II, CLASS 2 OVER COPPER PER AMS2418, CLASS 4.
- FINISH: TIN PER ASTM-B-545, .000200 MIN THICK OVER .000050 TO .000200 COPPER PER AMS2418.
- INSERT MATERIAL FOR 204505-3: PHENOLIC COLOR: BLACK.
- FRONT SHELL HAS GROUND INDENTS ON 204505-4 & -5 ONLY.
- FINISH: BRIGHT TIN PER ASTM-B-545, .000400-.000550 THK OVER COPPER PER AMS2418, .000050 MIN THK.

[12][17]	MS18275-2	44	3	-----	-----	204505-6	204505-6
[12][17][16]	MS18275-2	44	3	-----	-----	204505-5	204505-5
[12][14][16]	MS18275-2	44	3	-----	-----	204505-4	204505-4
[12][13]	MS18275-2	44	3	-----	-----	204505-3	204505-3
[11][13]	MS18275-2	44	3	M24308/8-266F	M24308/8-13F	204517-5	204505-2
[12][13]	MS18275-2	44	3	M24308/4-266F	M24308/4-13F	204517-2	204505-1
REMARKS	INSERT ARRANGEMENT	NO OF POS	SHELL SIZE	PACKAGE MILITARY P/N [8]	MILITARY P/N ON CONNECTOR [3]	TE P/N ON CONNECTOR [3]	PART NUMBER [8]

SUPSD. BY 204505-1
 SUPSD. BY 593064-3

THIS DRAWING IS A CONTROLLED DOCUMENT.

DIMENSIONS: INCHES	TOLERANCES UNLESS OTHERWISE SPECIFIED:	APVD: F. KINSEY	NAME: F. KINSEY
0 PLC ± -	1 PLC ± -	2 PLC ± -	3 PLC ± .005
4 PLC ± -	ANGLES ± -	RESTRICTED TO	

MATERIAL: SEE CALLOUTS
 FINISH: SEE CALLOUTS

THIS DRAWING IS A CONTROLLED DOCUMENT. DRAWING NO: A1 00779C=204505
 CUSTOMER DRAWING SCALE: 4:1 SHEET: 1 OF 1 REV: Y

Tyco Electronics Corporation
 Harrisburg, PA 17105-3608

AMPLIMITE PLUG ASSY WITHOUT SIZE 22D CRIMP TYPE PIN CONTACTS SERIES 90, SHELL SIZE 3