



Chipsmall Limited consists of a professional team with an average of over 10 year of expertise in the distribution of electronic components. Based in Hongkong, we have already established firm and mutual-benefit business relationships with customers from,Europe,America and south Asia,supplying obsolete and hard-to-find components to meet their specific needs.

With the principle of “Quality Parts,Customers Priority,Honest Operation,and Considerate Service”,our business mainly focus on the distribution of electronic components. Line cards we deal with include Microchip,ALPS,ROHM,Xilinx,Pulse,ON,Everlight and Freescale. Main products comprise IC,Modules,Potentiometer,IC Socket,Relay,Connector.Our parts cover such applications as commercial,industrial, and automotives areas.

We are looking forward to setting up business relationship with you and hope to provide you with the best service and solution. Let us make a better world for our industry!



Contact us

Tel: +86-755-8981 8866 Fax: +86-755-8427 6832

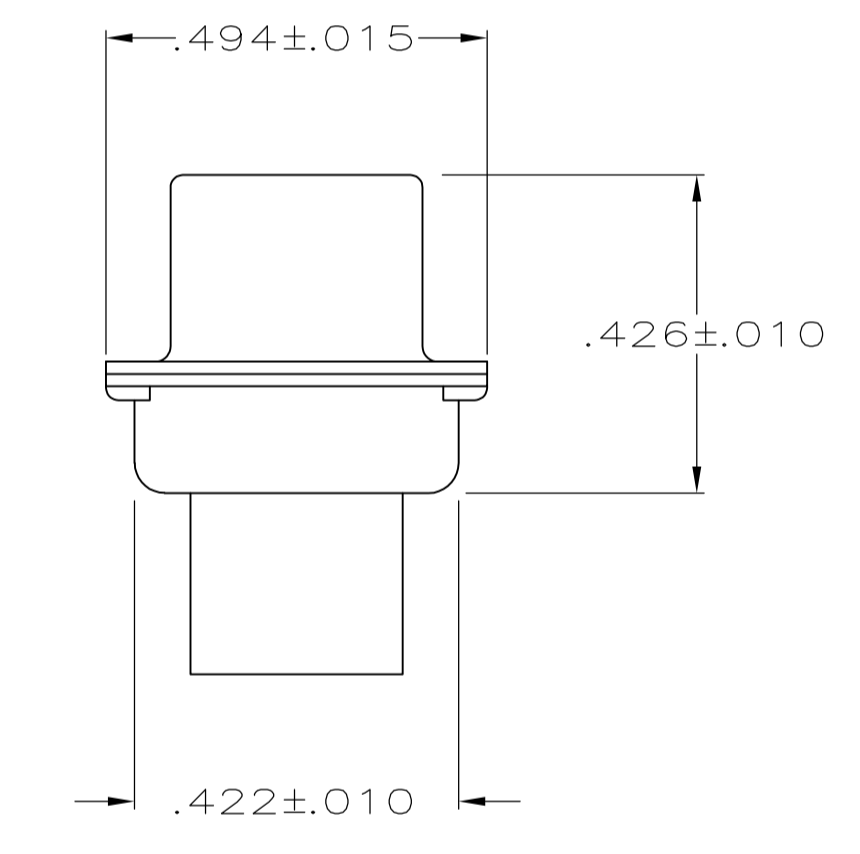
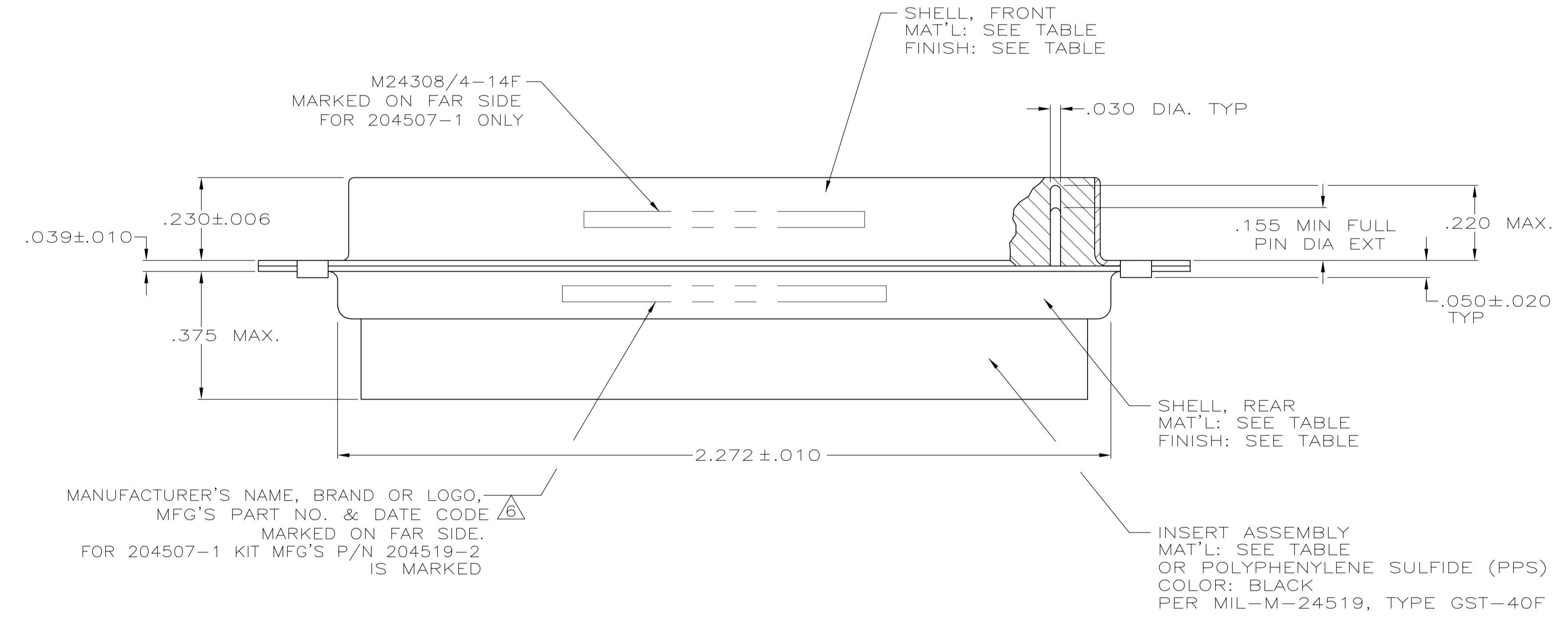
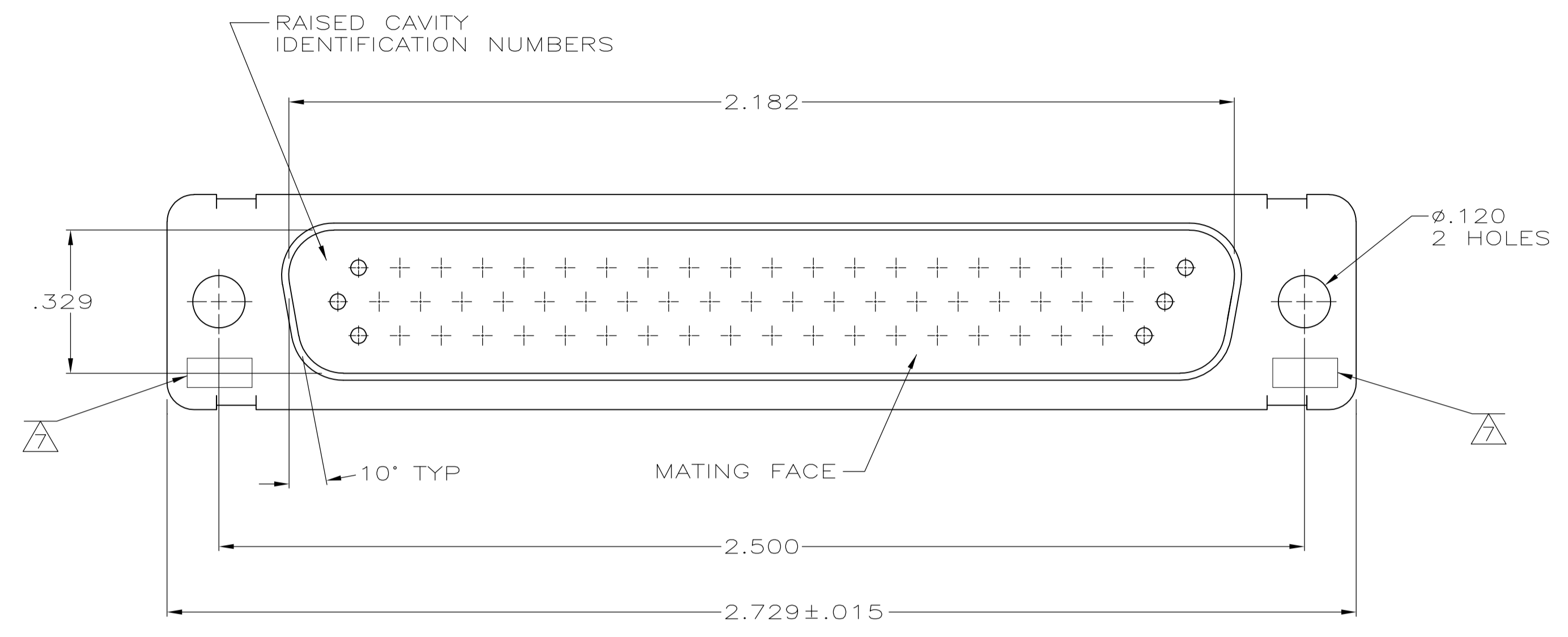
Email & Skype: info@chipsmall.com Web: www.chipsmall.com

Address: A1208, Overseas Decoration Building, #122 Zhenhua RD., Futian, Shenzhen, China



LOC		DIST		REVISIONS			
DF	DO	P	LTR	DESCRIPTION	DATE	DMN	APVD
		V		REVISED PER ECO-09-013174	30-03-09	CT	RL

1. THIS PLUG IS DESIGNED TO CONFORM TO THE LATEST ISSUE OF MIL-C-24308.
 2. MAX WIRE INSUL. TO BE USED WITH THIS PLUG IS .054 DIA.
 3. METAL RETENTION CLIPS ARE INCLUDED IN INSERTS.
 4. PACKAGE STAMPED M 24308/4-267F.
 5. THIS PLUG WILL ACCEPT SIZE 22 PIN CONTACT M 39029/58-360 OR ANY TYCO HDD-22 PIN CONTACT
- Ⓐ MFG'S PART NO. STAMPED ON CONNECTOR KIT NUMBER WITH CONTACTS FOR 204507-1 ONLY.
 - Ⓙ UL/CSA DESIGNATION STAMPED IN THIS AREA, OPTIONAL.
 - Ⓢ P/N'S 204507-4, -5, & 5--4 HAVE GROUNDING INDENTS ON FRONT SHELL, NOT SHOWN ON DRAWING.
 - Ⓙ FINISH: BRIGHT TIN PER ASTM-B-545 .000400-.000550 THK OVER COPPER PER AMS2418, .000050 MIN THK.



Ⓐ	BRIGHT TIN PER ASTM-B-545	STEEL, CLASS G	GST-40F PER MIL-M-24519	5-204507-4
Ⓙ		STEEL, CLASS G	GST-40F PER MIL-M-24519	204507-6
Ⓐ		STEEL, CLASS G	GST-40F PER MIL-M-24519	204507-5
Ⓐ	BRIGHT TIN PER ASTM-B-545	STEEL, CLASS G	GST-40F PER MIL-M-24519	204507-4
SUPSD BY 204507-1	CADMIUM PER QQ-P-416	STEEL, CLASS G	GST-40F PER MIL-M-24519	204507-3
SUPSD BY 206502-4	CADMIUM PER QQ-P-416	BRASS	GST-40F PER MIL-M-24519	204507-2
	CADMIUM PER QQ-P-416	STEEL, CLASS G	GST-40F PER MIL-M-24519	204507-1
	SHELL FINISH	SHELL MAT'L	INSERT MAT'L	PART NO.

THIS DRAWING IS A CONTROLLED DOCUMENT.

DIMENSIONS: INCHES	TOLERANCES UNLESS OTHERWISE SPECIFIED:	DIN C.C. THOMAS 01DEC87	APVD F.C. BALLEW 25JAN88	NAME F.C. BALLEW	DATE 25JAN88	TYCO ELECTRONICS	Tyco Electronics Corporation Harrisburg, PA 17105-3608
0 PLC ± -	1 PLC ± -	2 PLC ± -	3 PLC ± .005	4 PLC ± -	ANGLES ± # 0'30"	PRODUCT SPEC	AMPLIMITE PLUG FOR PIN CONTACTS HI-DENSITY D CONNECTOR SIZE 4 (62 POSN) SERIES 90
MATERIAL SEE TABLE	FINISH SEE CALLOUTS	WEIGHT	SIZE A1	SCALE 4:1	SHEET 1 OF 1	REV V	CUSTOMER DRAWING