



Chipsmall Limited consists of a professional team with an average of over 10 year of expertise in the distribution of electronic components. Based in Hongkong, we have already established firm and mutual-benefit business relationships with customers from,Europe,America and south Asia,supplying obsolete and hard-to-find components to meet their specific needs.

With the principle of “Quality Parts,Customers Priority,Honest Operation,and Considerate Service”,our business mainly focus on the distribution of electronic components. Line cards we deal with include Microchip,ALPS,ROHM,Xilinx,Pulse,ON,Everlight and Freescale. Main products comprise IC,Modules,Potentiometer,IC Socket,Relay,Connector.Our parts cover such applications as commercial,industrial, and automotives areas.

We are looking forward to setting up business relationship with you and hope to provide you with the best service and solution. Let us make a better world for our industry!



## Contact us

Tel: +86-755-8981 8866 Fax: +86-755-8427 6832

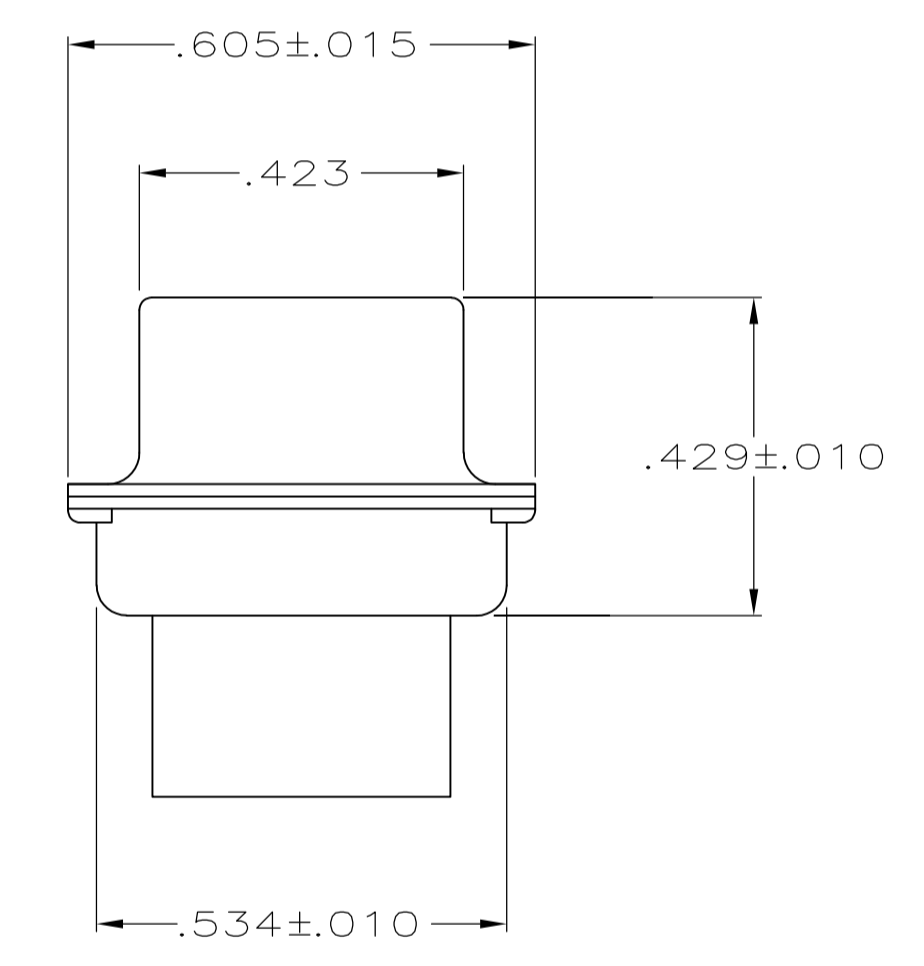
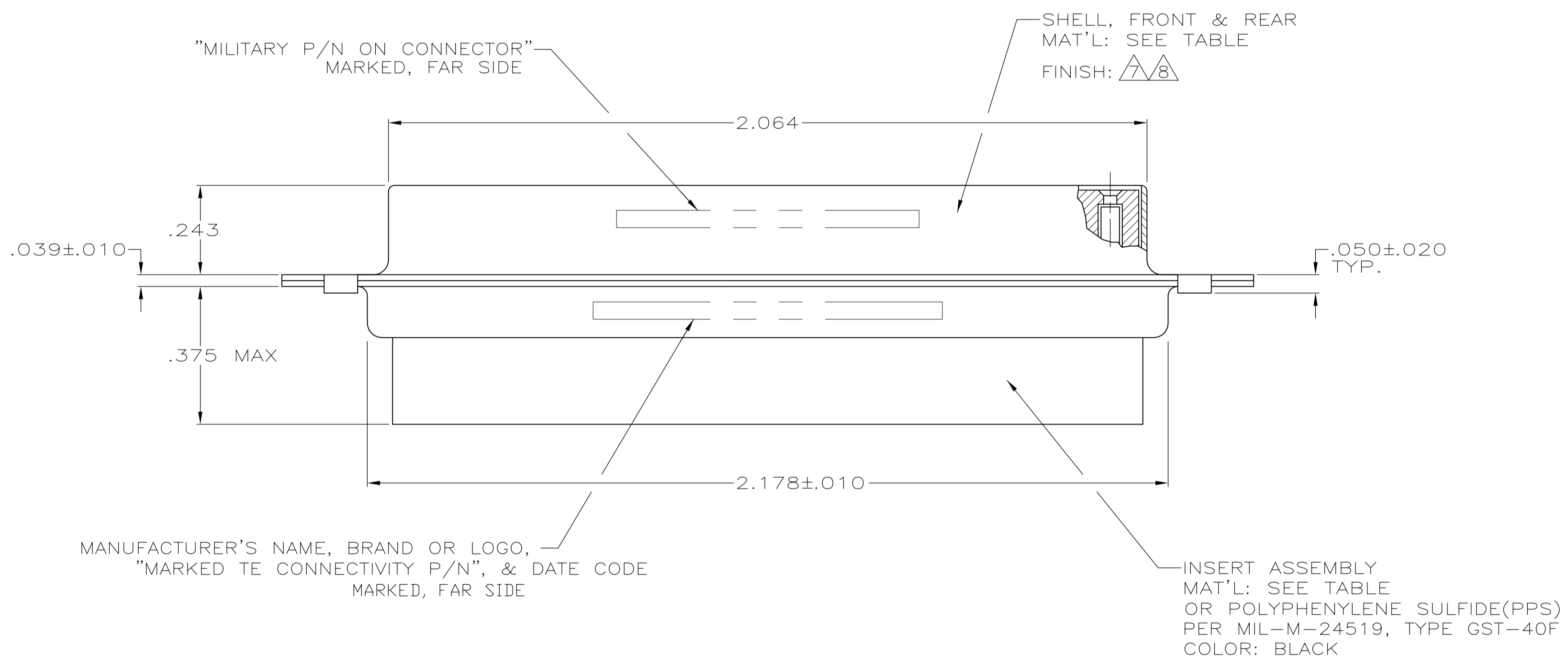
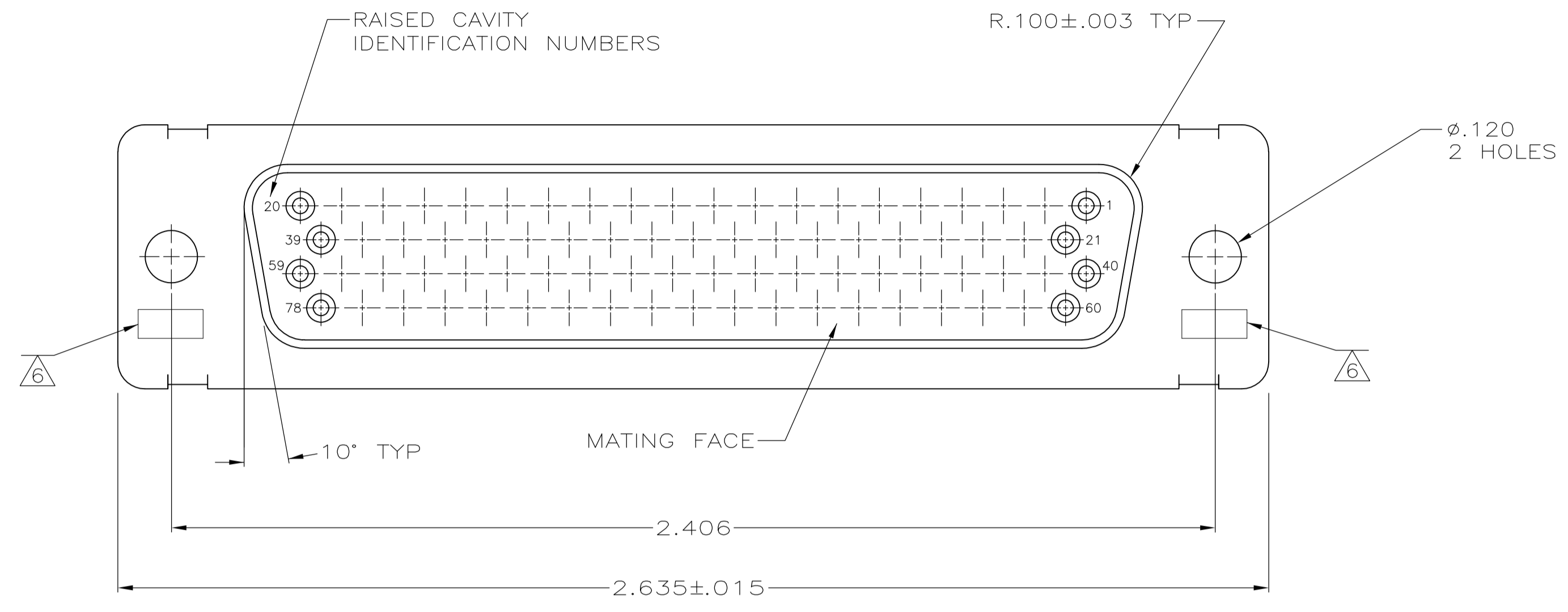
Email & Skype: info@chipsmall.com Web: www.chipsmall.com

Address: A1208, Overseas Decoration Building, #122 Zhenhua RD., Futian, Shenzhen, China



| LOC | DIST | REVISIONS |                           |         |       |
|-----|------|-----------|---------------------------|---------|-------|
| DF  | DO   | REV       | DESCRIPTION               | DATE    | BY    |
|     |      | T         | REVISED PER ECO-11-017604 | 10NOV11 | PY RL |

- THIS RCPT. IS DESIGNED TO CONFORM TO THE LATEST ISSUE OF MIL-C-24308.
  - MAX WIRE INSUL TO BE USED WITH THIS RCPT IS .054 DIA.
  - METAL RETENTION CLIPS ARE INCLUDED IN INSERTS.
  - THIS RCPT. WILL ACCEPT SIZE 22 SOCKET CONTACT M39029/57-354 OR ANY TYCO HDD-22 SOCKET CONTACT. CONTACTS ORDERED SEPARATELY.
- ⑤ MFG'S PART NO. MARKED ON CONNECTOR REPRESENTS KIT NUMBER WITH CONTACTS.
  - ⑥ UL/CSA DESIGNATION STAMPED IN THIS AREA, OPTIONAL.
  - ⑦ FINISH: CADMIUM PER QQ-P-416.
  - ⑧ FINISH: BRIGHT TIN PER ASTM-B-545 .000400-.000550 THK OVER COPPER PER AMS2418 .000050 MIN THK.



| MILITARY P/N ON PACKAGE | MILITARY P/N ON CONNECTOR | MFG'S P/N ON CONNECTOR | REMARKS | SHELL FINISH | SHELL MAT'L    | INSERT MAT'L  | PART NO. |
|-------------------------|---------------------------|------------------------|---------|--------------|----------------|---|----------|
| -                       | -                         | 204508-5               | -       | ⑧            | STEEL, CLASS G | POLYPHENYLENE SULFIDE(PPS) PER MIL-M-24519, TYPE GST-40F COLOR: BLACK | 204508-5 |
| SUPSD BY 204508-1       | -                         | -                      | -       | -            | STEEL, CLASS G | PHENOLIC COLOR: BLACK   | 204508-3 |
| SUPSD BY 206505-4       | -                         | -                      | -       | -            | BRASS          | DIALLYL PATHALATE COLOR: BLUE   | 204508-2 |
| M24308/2-290F           | M24308/2-15F              | 204520-2               | ⑤       | ⑦            | STEEL, CLASS G | POLYPHENYLENE SULFIDE(PPS) PER MIL-M-24519, TYPE GST-40F COLOR: BLACK | 204508-1 |

THIS DRAWING IS A CONTROLLED DOCUMENT.

|                     |  |           |           |                  |                    |                  |                  |
|---------------------|--|-----------|-----------|------------------|--------------------|------------------|------------------|
| DIMENSIONS: INCHES  | TOLERANCES UNLESS OTHERWISE SPECIFIED: | 0 PLC ± - | 1 PLC ± - | 2 PLC ± -        | 3 PLC ± .005       | 4 PLC ± -        | ANGLES ± 0°30'   |
| MATERIAL: SEE TABLE | FINISH: SEE CALLOUTS                   | WEIGHT: - | SIZE: A1  | CAGE CODE: 00779 | DRAWING NO: 204508 | RESTRICTED TO: - | CUSTOMER DRAWING |

SCALE: 4:1 SHEET 1 OF 1 REV T