



Chipsmall Limited consists of a professional team with an average of over 10 year of expertise in the distribution of electronic components. Based in Hongkong, we have already established firm and mutual-benefit business relationships with customers from,Europe,America and south Asia,supplying obsolete and hard-to-find components to meet their specific needs.

With the principle of “Quality Parts,Customers Priority,Honest Operation,and Considerate Service”,our business mainly focus on the distribution of electronic components. Line cards we deal with include Microchip,ALPS,ROHM,Xilinx,Pulse,ON,Everlight and Freescale. Main products comprise IC,Modules,Potentiometer,IC Socket,Relay,Connector.Our parts cover such applications as commercial,industrial, and automotives areas.

We are looking forward to setting up business relationship with you and hope to provide you with the best service and solution. Let us make a better world for our industry!



Contact us

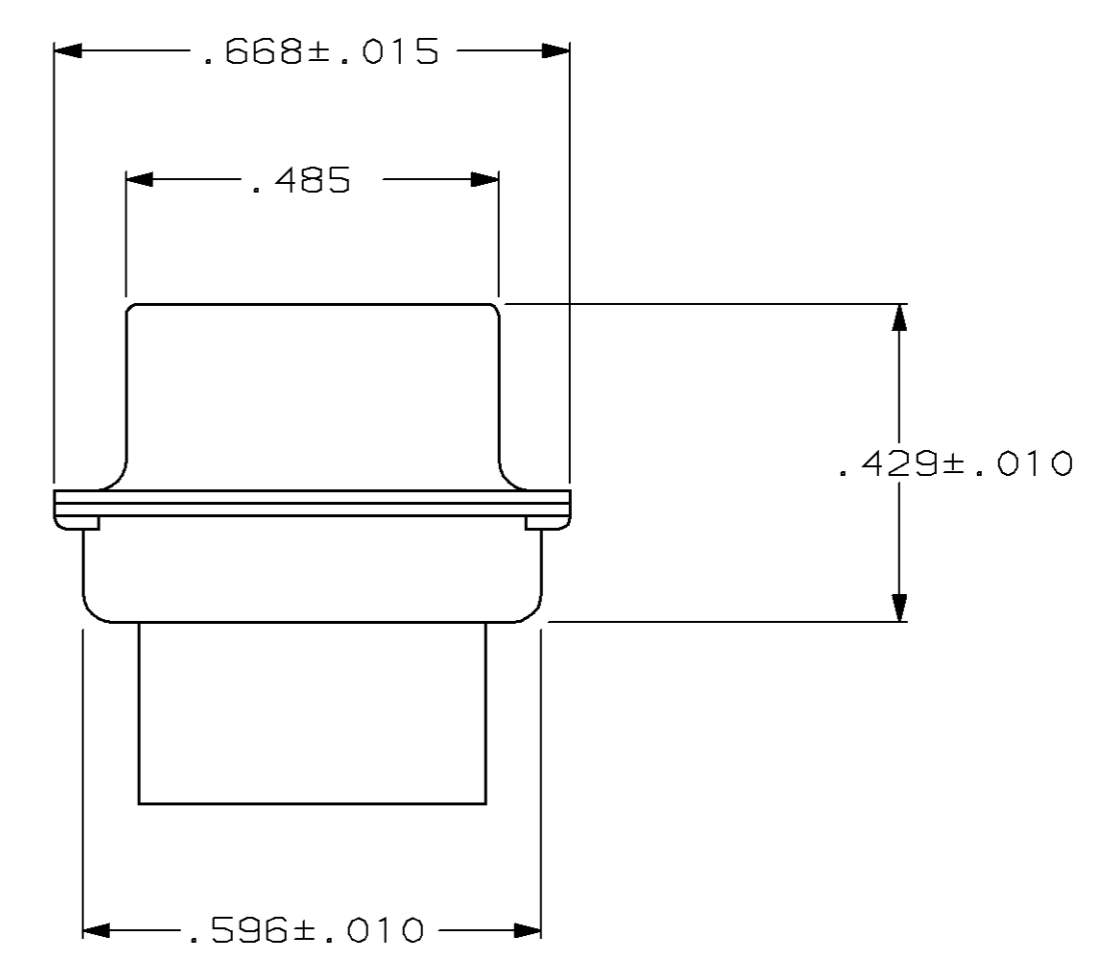
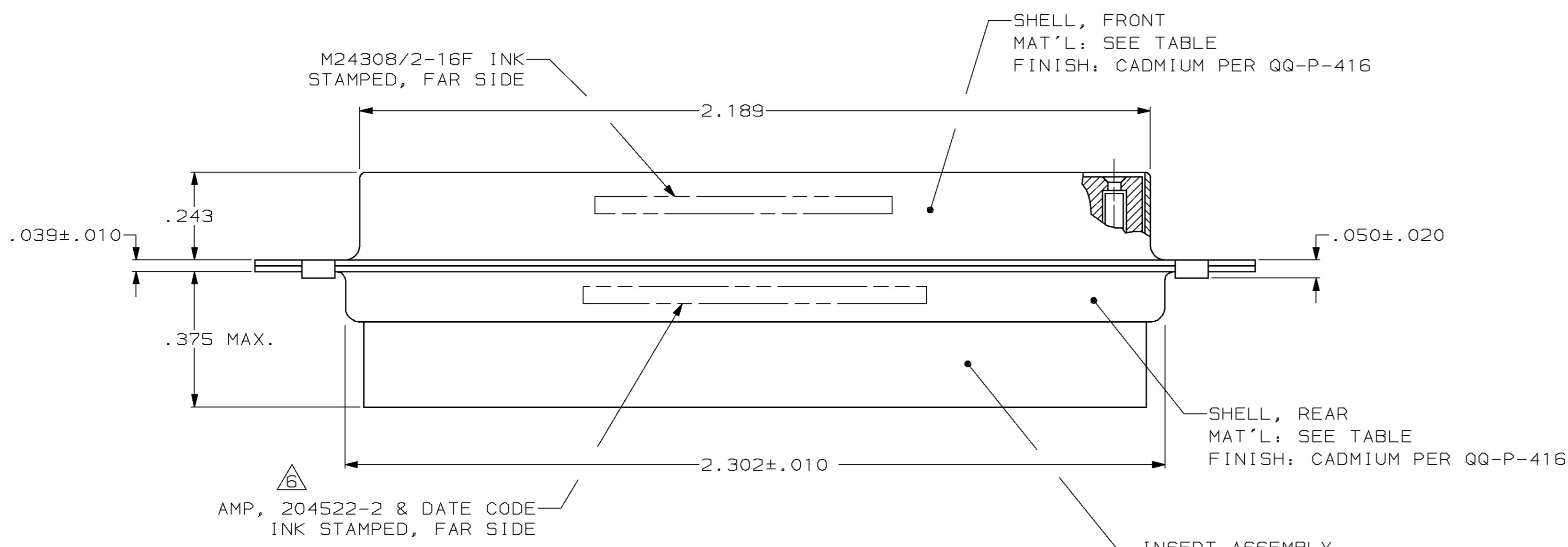
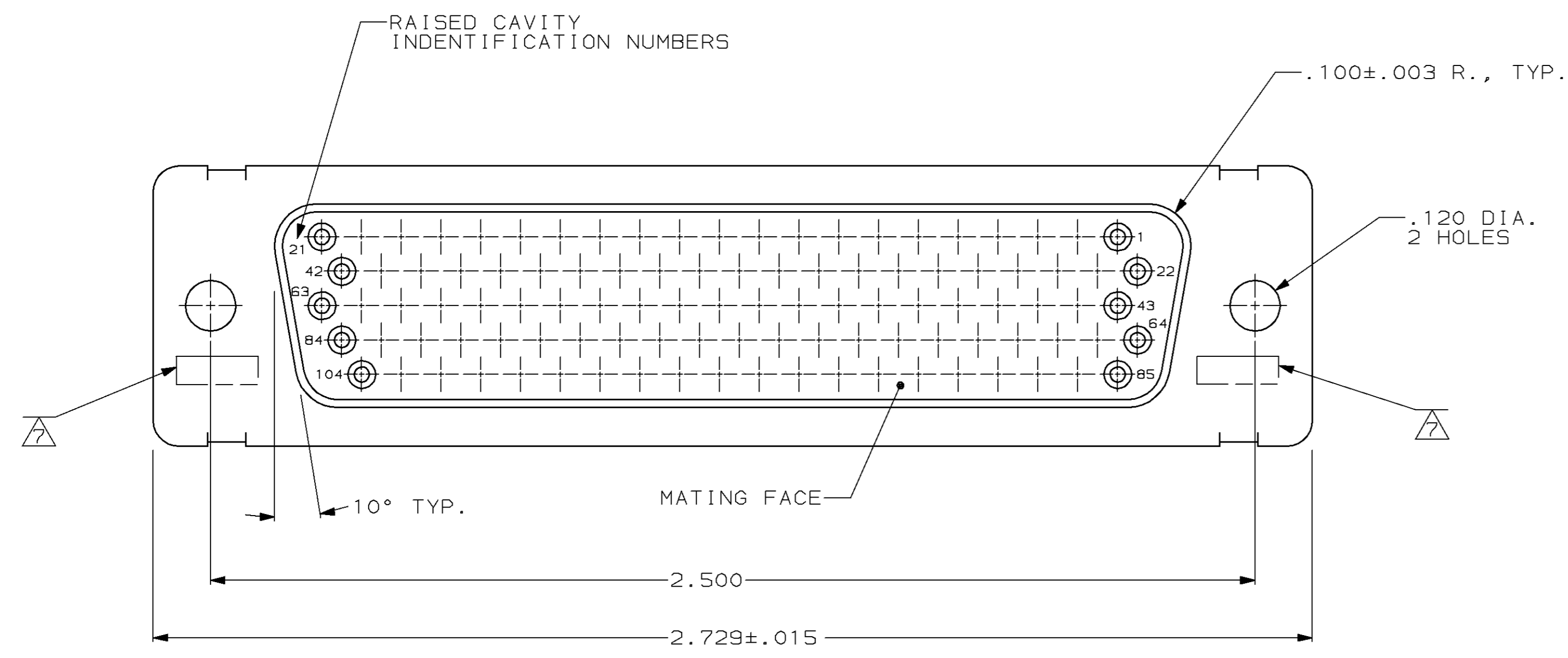
Tel: +86-755-8981 8866 Fax: +86-755-8427 6832

Email & Skype: info@chipsmall.com Web: www.chipsmall.com

Address: A1208, Overseas Decoration Building, #122 Zhenhua RD., Futian, Shenzhen, China



PROD 5066 CODE	LOC DF	DIST D0	P	F	ZONE	LTR	REVISIONS			
							DESCRIPTION	DATE	APPD	
							P	REV PER 0600-6687-97 JY	8-19-98	JN



- THIS RCPT. IS DESIGNED TO CONFORM TO THE LATEST ISSUE OF MIL-C-24308
 - MAX WIRE INSUL TO BE USED WITH THIS RCPT IS .054 DIA
 - METAL RETENTION CLIPS ARE INCLUDED IN INSERTS
 - PACKAGE STAMPED M 24308/2-291F
 - THIS RCPT. WILL ACCEPT SIZE 22 SOCKET CONTACT M 39029/57-354 OR ANY AMP HDD-22 SOCKET CONTACT
- AMP PART NO. STAMPED ON CONNECTOR REPRESENTS KIT NUMBER WITH CONTACTS
 UL/CSA DESIGNATION STAMPED IN THIS AREA, OPTIONAL

SUPSD BY 204510-1	STEEL, CLASS G	PHENOLIC COLOR: BLACK	204510-3
SUPSD BY 206065-4	BRASS	DIALYL PATHALATE COLOR: BLUE	204510-2
	STEEL, CLASS G	DIALYL PATHALATE COLOR: BLUE	204510-1
	SHELL MAT'L	INSERT MAT'L	PART NO

DO NOT SCALE PRINT. UNLESS SPECIFIED DIMENSIONS IN INCHES TOLERANCES ON: 2 PLC DEC ± - 3 PLC DEC ± .005 ANGLES ± 0°30'	DR 12-2-87 C.C. THOMAS	AMP INCORPORATED Harrisburg, Pa. 17105	
	CHK 1-25-88 F.C. BALLEW III		
SEE TABLE	APPD 1-25-88 F.C. BALLEW III	AMPLITE RCPT. FOR SOCKET CONTACTS HI-DENSITY "D" CONNECTOR SIZE 6 (104 POSN) SERIES 90	
FINISH SEE CALLOUTS	APPD 1-26-88 D.J.M.	SIZE D	FSCM NO 00779
	PRODUCT SPEC -	DRAWING NO 204510	
	APPLICATION SPEC -	SCALE 4:1	SHEET 1 OF 1
	WEIGHT -		