



Chipsmall Limited consists of a professional team with an average of over 10 year of expertise in the distribution of electronic components. Based in Hongkong, we have already established firm and mutual-benefit business relationships with customers from,Europe,America and south Asia,supplying obsolete and hard-to-find components to meet their specific needs.

With the principle of “Quality Parts,Customers Priority,Honest Operation,and Considerate Service”,our business mainly focus on the distribution of electronic components. Line cards we deal with include Microchip,ALPS,ROHM,Xilinx,Pulse,ON,Everlight and Freescale. Main products comprise IC,Modules,Potentiometer,IC Socket,Relay,Connector.Our parts cover such applications as commercial,industrial, and automotives areas.

We are looking forward to setting up business relationship with you and hope to provide you with the best service and solution. Let us make a better world for our industry!



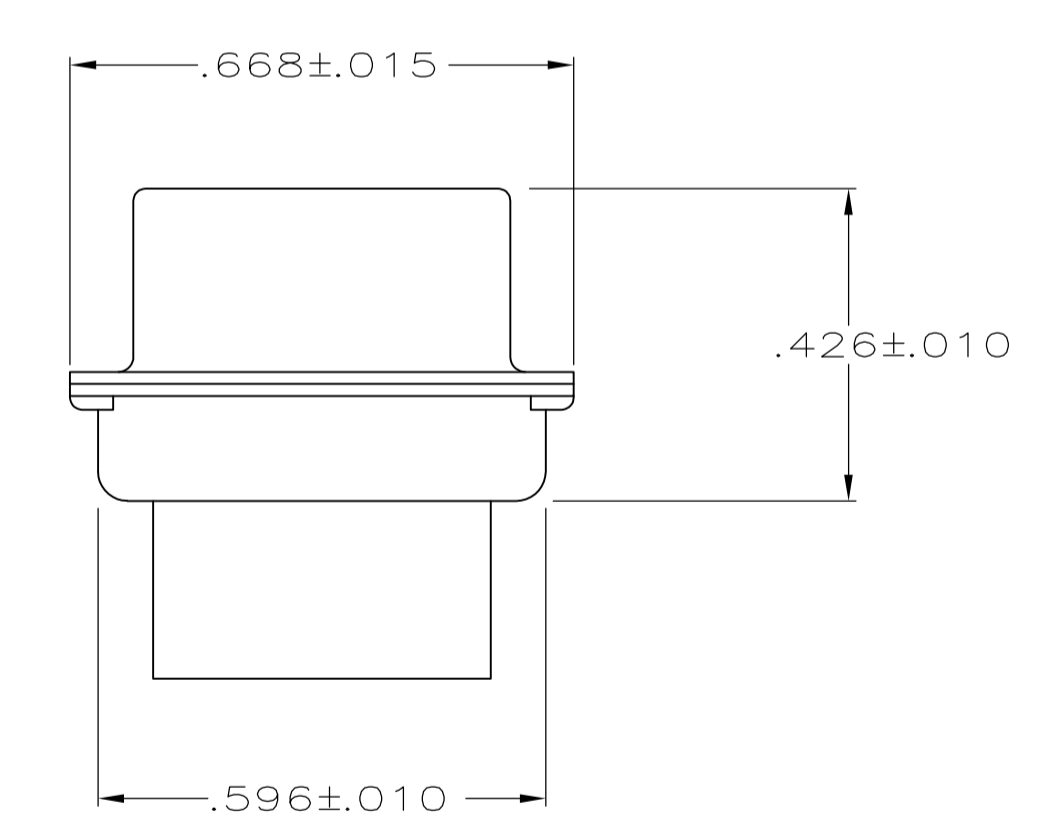
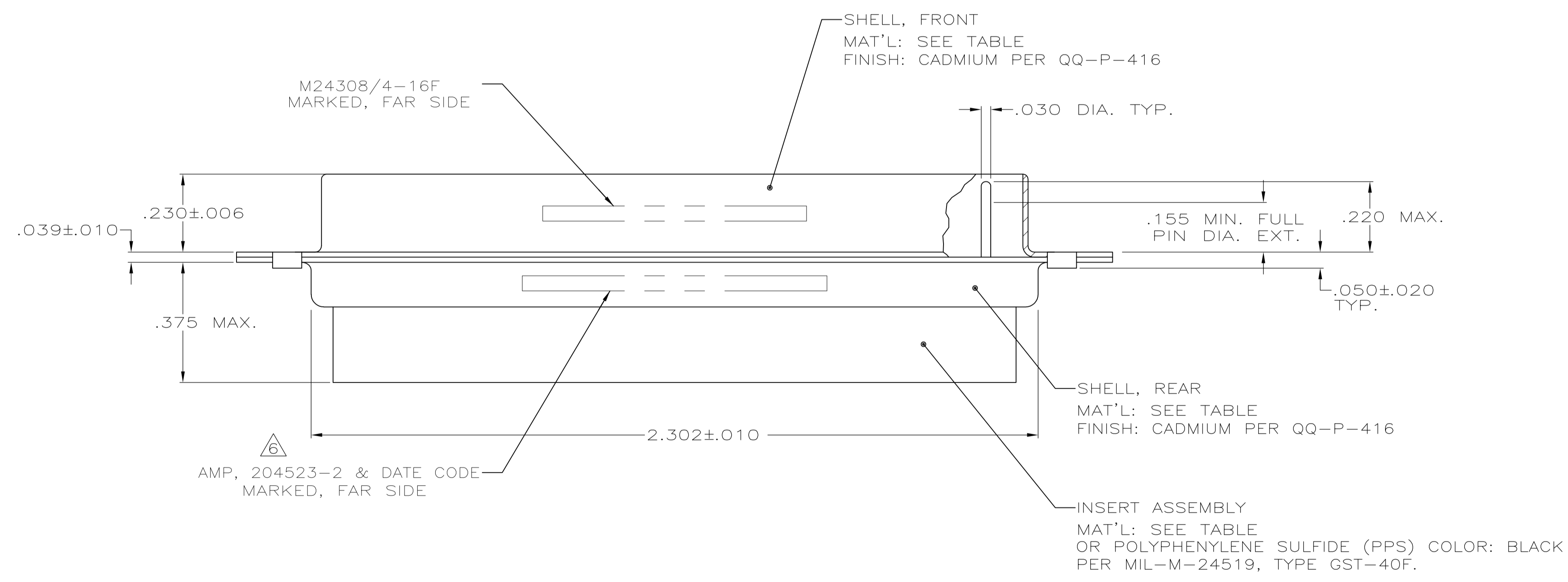
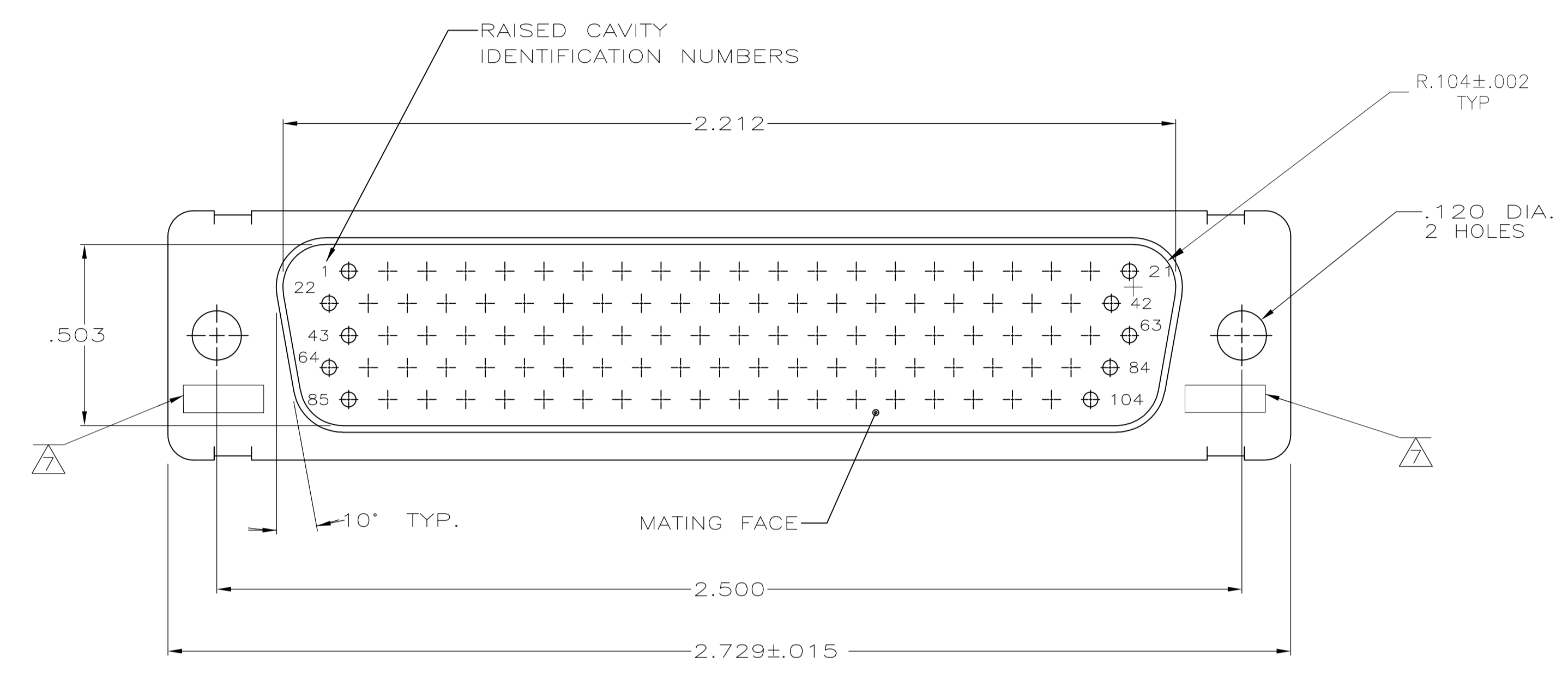
Contact us

Tel: +86-755-8981 8866 Fax: +86-755-8427 6832

Email & Skype: info@chipsmall.com Web: www.chipsmall.com

Address: A1208, Overseas Decoration Building, #122 Zhenhua RD., Futian, Shenzhen, China





- THIS PLUG IS DESIGNED TO CONFORM TO THE LATEST ISSUE OF MIL-C-24308
 - MAX WIRE INSUL. TO BE USED WITH THIS PLUG IS .054 DIA.
 - METAL RETENTION CLIPS ARE INCLUDED IN INSERTS
 - PACKAGE MARKED M24308/4-269F
 - THIS PLUG WILL ACCEPT SIZE 22 PIN CONTACT M 39029/58-360 OR ANY AMP HDD-22 PIN CONTACT
- AMP PART NO. MARKED ON CONNECTOR REPRESENTS KIT NUMBER WITH CONTACTS
 UL/CSA DESIGNATION MARKED IN THIS AREA. OPTIONAL

OBSELETE	STEEL, CLASS G	PHENOLIC COLOR: BLACK	204511-3
SUPSD BY 206066-4	BRASS	DIALYL PATHALATE COLOR: BLUE	204511-2
	STEEL, CLASS G	DIALYL PATHALATE COLOR: BLUE	204511-1
	SHELL MAT'L	INSERT MAT'L	INSERT MAT'L

THIS DRAWING IS A CONTROLLED DOCUMENT.

DWN: C.C.THOMAS 12-2-87	OK: F.C.BALLEW III 1-25-88	Tyco Electronics Corporation Harrisburg, Pa 17105-3608	
DIMENSIONS: INCHES	TOLERANCES UNLESS OTHERWISE SPECIFIED:	PRODUCT SPEC	NAME
0 PLC ± -	1 PLC ± -	APPLICATION SPEC	AMPLIMITE PLUG FOR PIN CONTACTS HI-DENSITY D CONNECTOR SIZE 6 (104 POSN) SERIES 90
2 PLC ± -	3 PLC ± .005	WEIGHT	SIZE: A1
4 PLC ± -	ANGLES ± -	FINISH	CAGE CODE: 00779
MATERIAL: SEE TABLE	FINISH: SEE CALLOUTS	CUSTOMER DRAWING	DRAWING NO: 204511
		SCALE: 4:1	SHEET 1 OF 1