



Chipsmall Limited consists of a professional team with an average of over 10 year of expertise in the distribution of electronic components. Based in Hongkong, we have already established firm and mutual-benefit business relationships with customers from,Europe,America and south Asia,supplying obsolete and hard-to-find components to meet their specific needs.

With the principle of “Quality Parts,Customers Priority,Honest Operation,and Considerate Service”,our business mainly focus on the distribution of electronic components. Line cards we deal with include Microchip,ALPS,ROHM,Xilinx,Pulse,ON,Everlight and Freescale. Main products comprise IC,Modules,Potentiometer,IC Socket,Relay,Connector.Our parts cover such applications as commercial,industrial, and automotives areas.

We are looking forward to setting up business relationship with you and hope to provide you with the best service and solution. Let us make a better world for our industry!



## Contact us

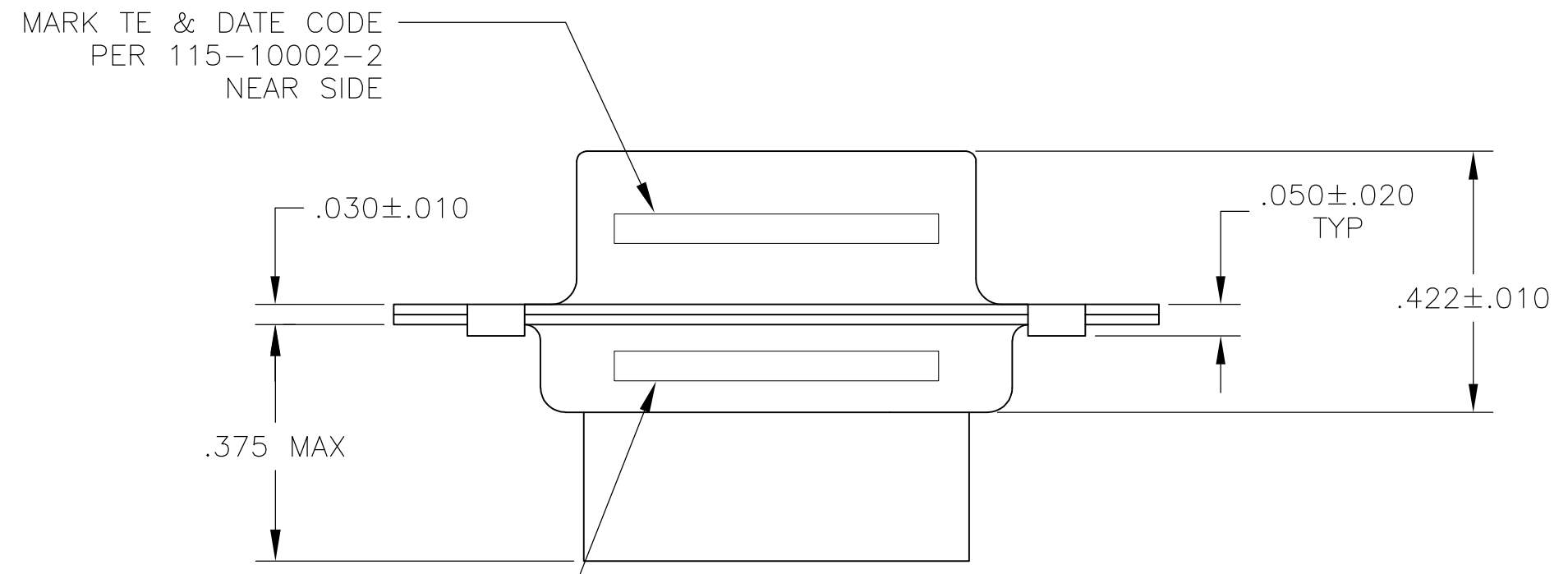
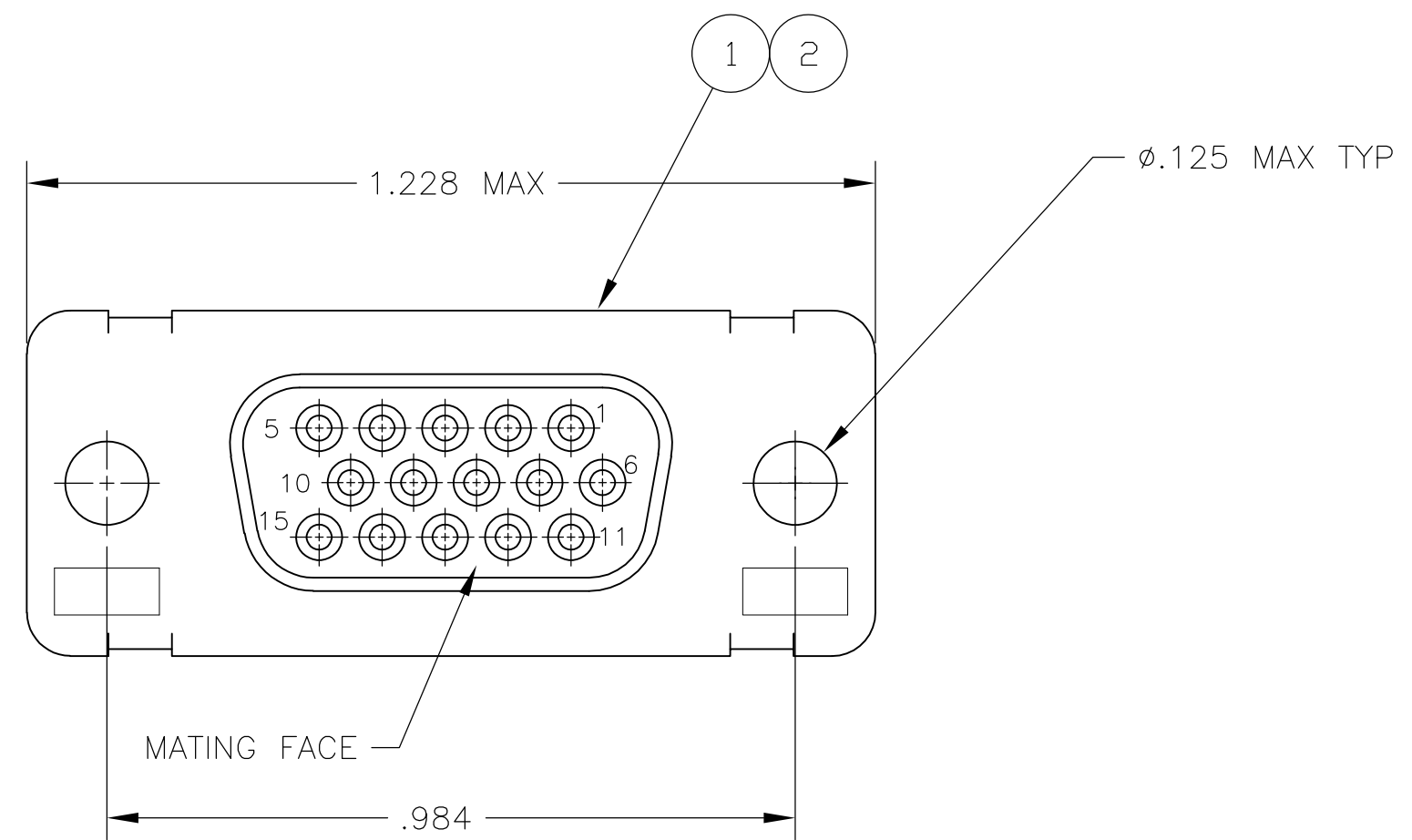
Tel: +86-755-8981 8866 Fax: +86-755-8427 6832

Email & Skype: info@chipsmall.com Web: www.chipsmall.com

Address: A1208, Overseas Decoration Building, #122 Zhenhua RD., Futian, Shenzhen, China

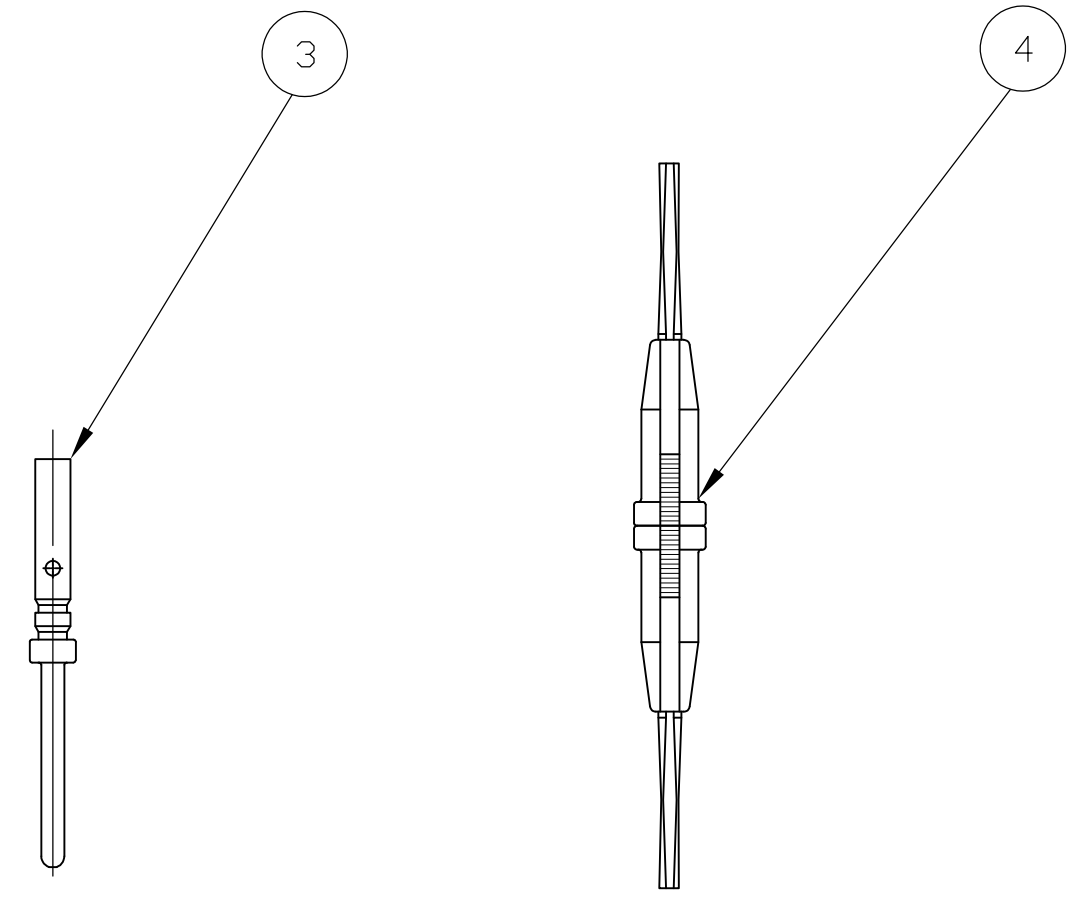


LOC	DIST	REVISIONS					
DF	D5	P	LTR	DESCRIPTION	DATE	DWN	APVD
		H1		REVISED PER ECO-11-005030	11MAR11	RK	HMR



MARK MILITARY PART NO.  
 FAR SIDE PER 115-10002-2  
 MARK TE PART NO, NEAR SIDE  
 SEE TABLE

MARK TE & DATE CODE  
 PER 115-10002-2  
 NEAR SIDE



OBSOLETE	M24308/8-17F	M24308/8-11F	91067-1	204370-2	204501-2	-	204513-6
OBSOLETE	M24308/8-11F	M24308/8-11F	-	204370-2	204501-2	-	204513-5
OBSOLETE	-	M24308/8-11F	91067-1	-	204501-2	-	204513-4
	M24308/4-17F	M24308/4-11F	91067-1	204370-2	-	204501-1	204513-3
	M24308/4-11F	M24308/4-11F	-	204370-2	-	204501-1	204513-2
	-	M24308/4-11F	91067-1	-	-	204501-1	204513-1
MILITARY P/N ON PACKAGE	MILITARY P/N ON CONNECTOR	(4) INSERT/EXTRACT TOOL QTY = 1	(3) PIN CONTACT QTY = 15	(2) RECEPTACLE ASSY QTY = 1	(1) RECEPTACLE ASSY QTY = 1	PART NUMBER	

THIS DRAWING IS A CONTROLLED DOCUMENT.

DIMENSIONS: INCHES	TOLERANCES UNLESS OTHERWISE SPECIFIED:	DWN P. YEAGER 15DEC08	
	0 PLC ± -	CHK R. LEASE 16DEC08	
	1 PLC ± -	APVD R. LEASE 16DEC08	
	2 PLC ± -	NAME	
MATERIAL SEE TABLE	FINISH SEE TABLE	PRODUCT SPEC	AMPLIMITE KIT, HDD SERIES PLUG, SIZE 1, 15 POSITION
		APPLICATION SPEC	SIZE A2
		WEIGHT -	CAGE CODE 00779
		CUSTOMER DRAWING	DRAWING NO C-204513
			RESTRICTED TO -
			SCALE 4:1
			SHEET 1 OF 1
			REV H1