



Chipsmall Limited consists of a professional team with an average of over 10 year of expertise in the distribution of electronic components. Based in Hongkong, we have already established firm and mutual-benefit business relationships with customers from,Europe,America and south Asia,supplying obsolete and hard-to-find components to meet their specific needs.

With the principle of “Quality Parts,Customers Priority,Honest Operation,and Considerate Service”,our business mainly focus on the distribution of electronic components. Line cards we deal with include Microchip,ALPS,ROHM,Xilinx,Pulse,ON,Everlight and Freescale. Main products comprise IC,Modules,Potentiometer,IC Socket,Relay,Connector.Our parts cover such applications as commercial,industrial, and automotives areas.

We are looking forward to setting up business relationship with you and hope to provide you with the best service and solution. Let us make a better world for our industry!



Contact us

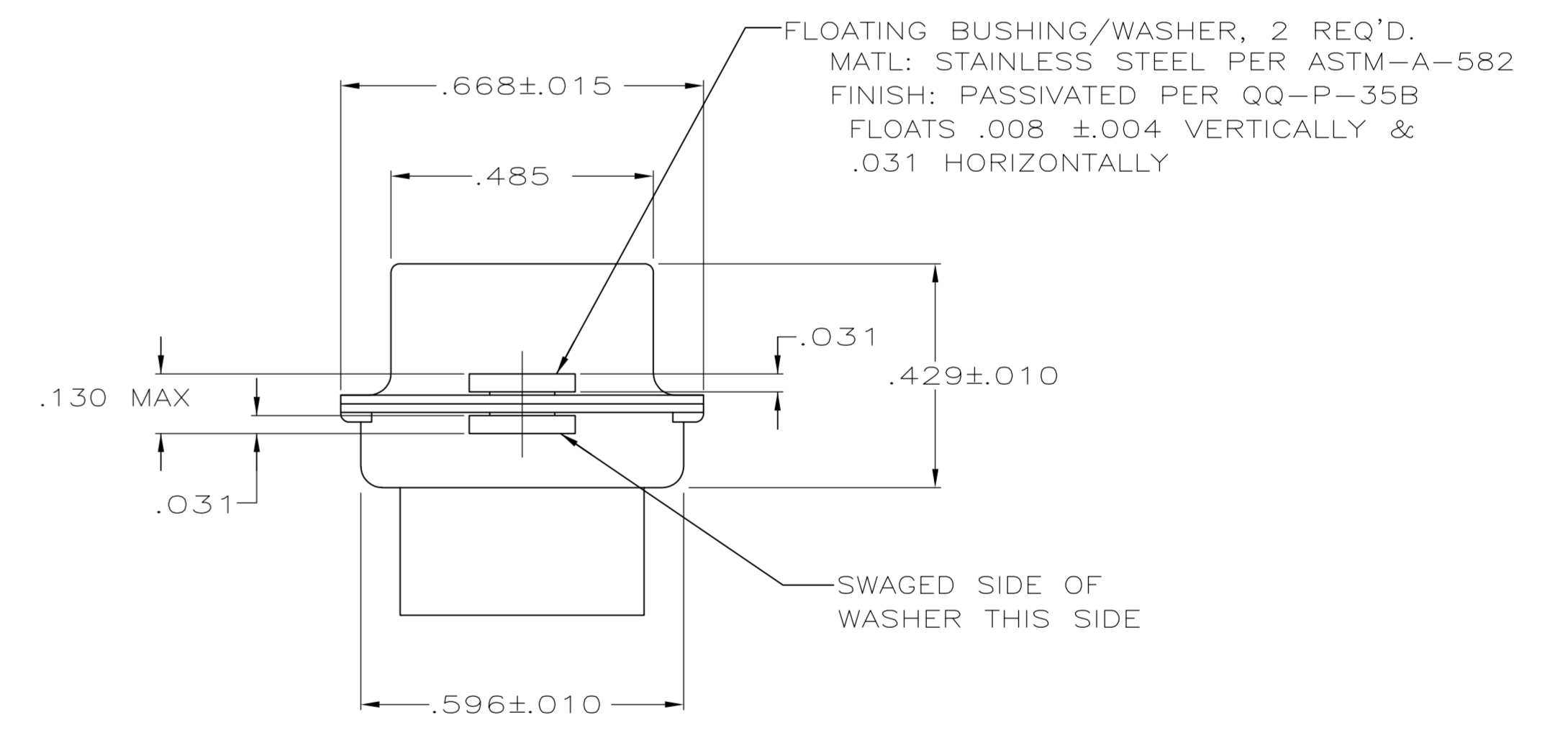
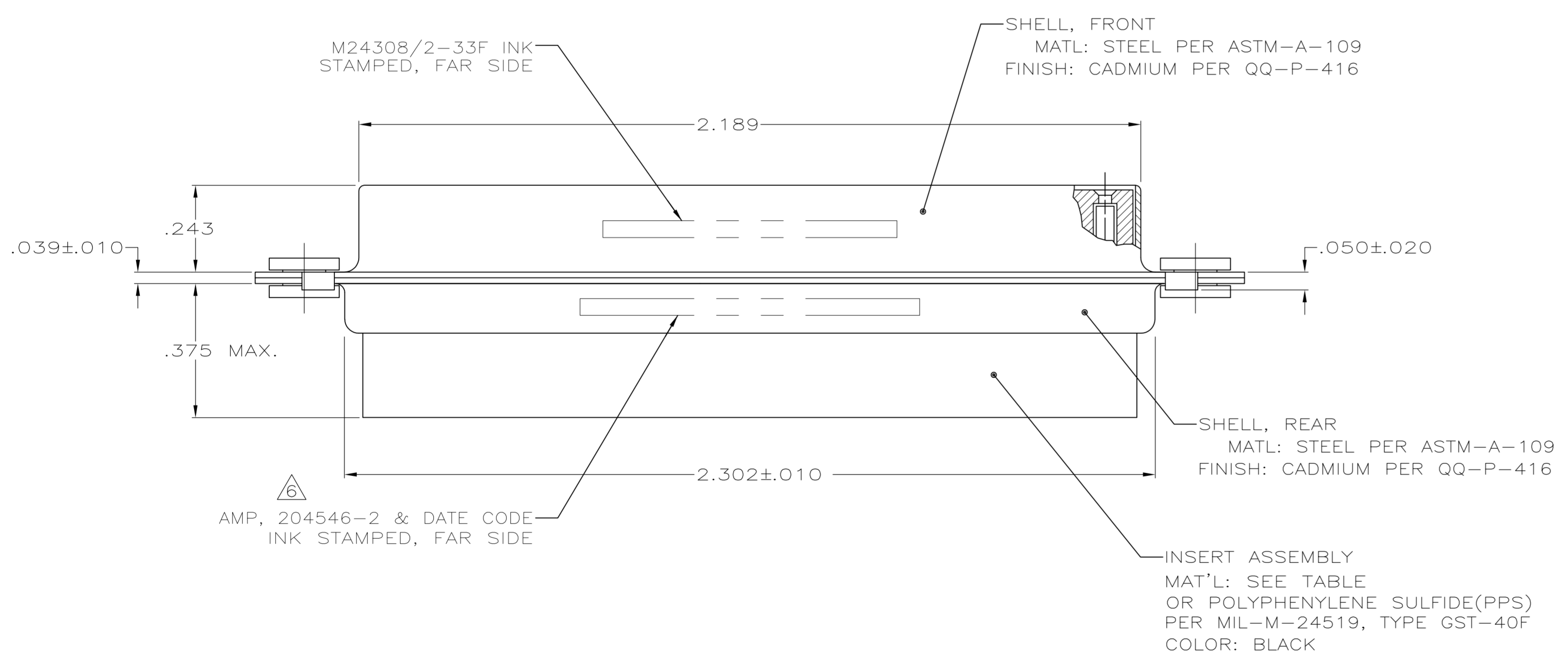
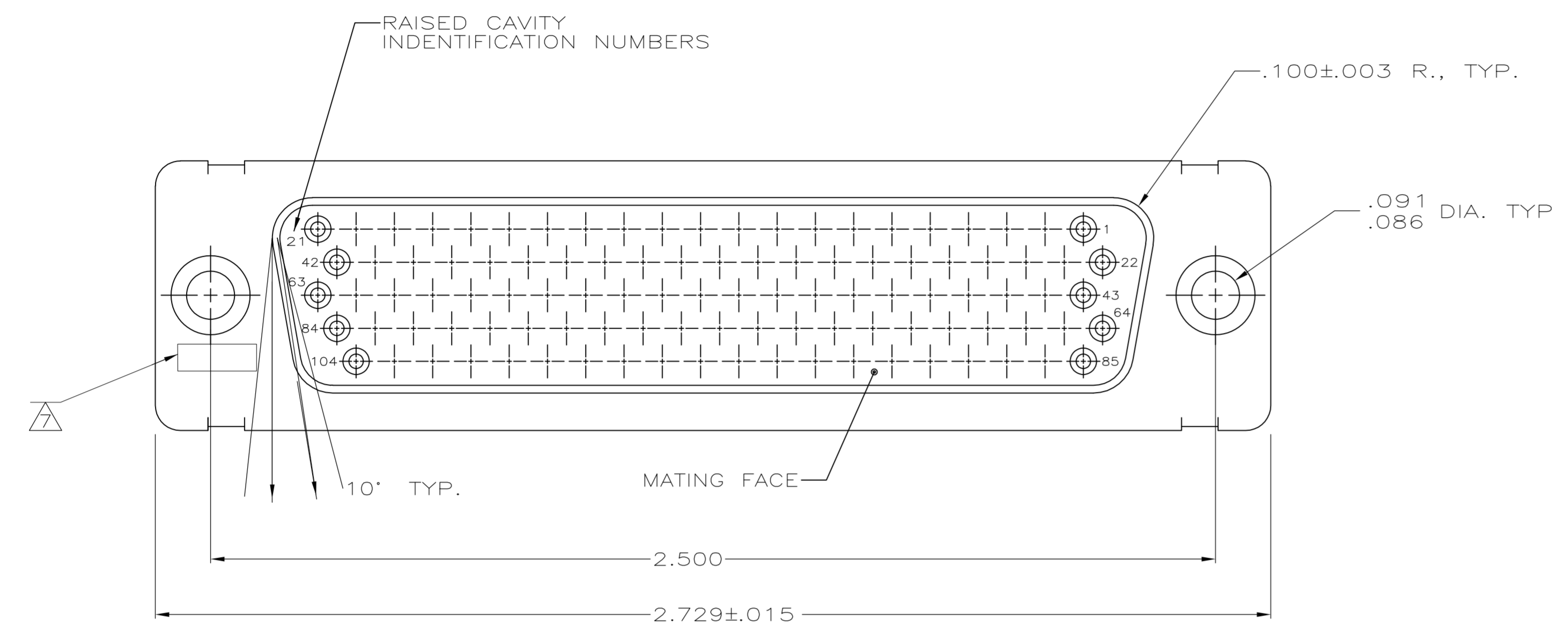
Tel: +86-755-8981 8866 Fax: +86-755-8427 6832

Email & Skype: info@chipsmall.com Web: www.chipsmall.com

Address: A1208, Overseas Decoration Building, #122 Zhenhua RD., Futian, Shenzhen, China



LOC		DIST		REVISIONS			
P	LTR	DESCRIPTION	DATE	OWN	APVD		
N	REV PER	ECO-10-001170	27JAN10	PY	RL		



1. THIS RCPT. IS DESIGNED TO CONFORM TO THE LATEST ISSUE OF MIL-C-24308
 2. MAX WIRE INSUL TO BE USED WITH THIS RCPT IS .054 DIA
 3. METAL RETENTION CLIPS ARE INCLUDED IN INSERTS
 4. PACKAGE STAMPED M 24308/2-302F
 5. THIS RCPT. WILL ACCEPT SIZE 22 SOCKET CONTACT M 24308/12 OR AMP # 204351
- AMP PART NO. STAMPED ON CONNECTOR REPRESENTS KIT NUMBER WITH CONTACTS

OBSOLETE	PHENOLIC COLOR: BLACK	204534-2
	DIALYL PATHALATE COLOR: BLUE	204534-1
	INSERT MAT'L	PART NO

THIS DRAWING IS A CONTROLLED DOCUMENT.		DWN C.C.THOMAS 27JAN2010	Tyco Electronics Corporation Harrisburg, PA 17105-3608	
DIMENSIONS: INCHES	TOLERANCES UNLESS OTHERWISE SPECIFIED:	CHK F.C.BALLEW 1-25-88	APVD F.C.BALLEW 1-25-88	NAME AMPLITE RCPT FOR SOCKET CONTACTS HI-DENSITY D CONNECTOR, SIZE 6 (104 POSN) SERIES 90 WITH FLOATING BUSHINGS
0 PLC ± -	1 PLC ± -	PRODUCT SPEC	APPLICATION SPEC	SIZE A1
2 PLC ± -	3 PLC ± .005	WEIGHT	SCALE 4:1	SHEET 1 OF 1
4 PLC ± -	ANGLES ± 0'30"	RESTRICTED TO	CUSTOMER DRAWING	REV N