

Chipsmall Limited consists of a professional team with an average of over 10 year of expertise in the distribution of electronic components. Based in Hongkong, we have already established firm and mutual-benefit business relationships with customers from,Europe,America and south Asia,supplying obsolete and hard-to-find components to meet their specific needs.

With the principle of “Quality Parts,Customers Priority,Honest Operation,and Considerate Service”,our business mainly focus on the distribution of electronic components. Line cards we deal with include Microchip,ALPS,ROHM,Xilinx,Pulse,ON,Everlight and Freescale. Main products comprise IC,Modules,Potentiometer,IC Socket,Relay,Connector.Our parts cover such applications as commercial,industrial, and automotives areas.

We are looking forward to setting up business relationship with you and hope to provide you with the best service and solution. Let us make a better world for our industry!



Contact us

Tel: +86-755-8981 8866 Fax: +86-755-8427 6832

Email & Skype: info@chipsmall.com Web: www.chipsmall.com

Address: A1208, Overseas Decoration Building, #122 Zhenhua RD., Futian, Shenzhen, China

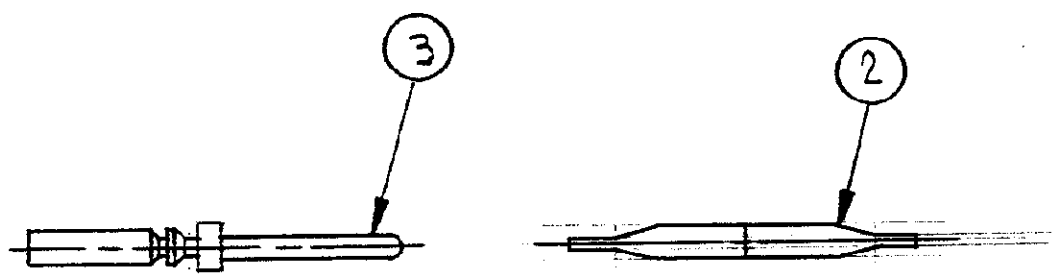
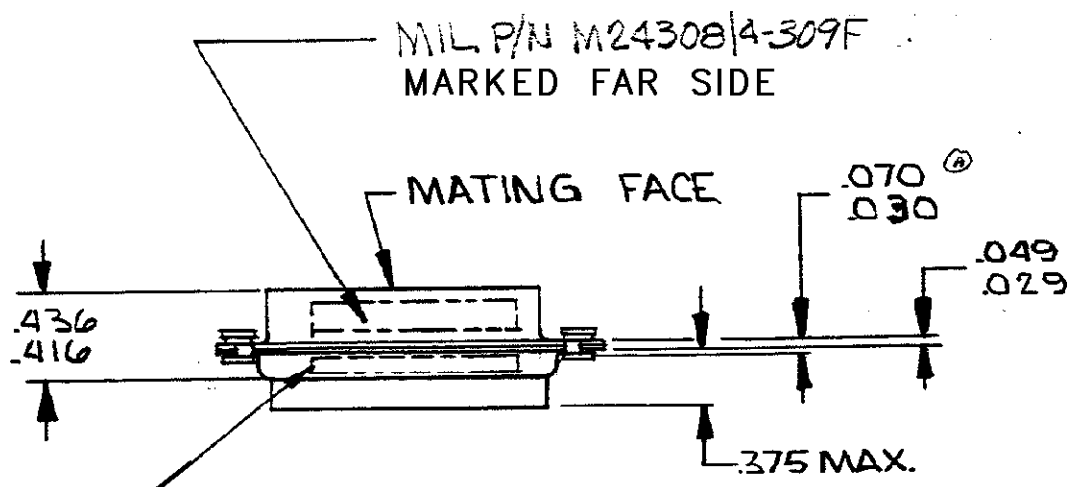
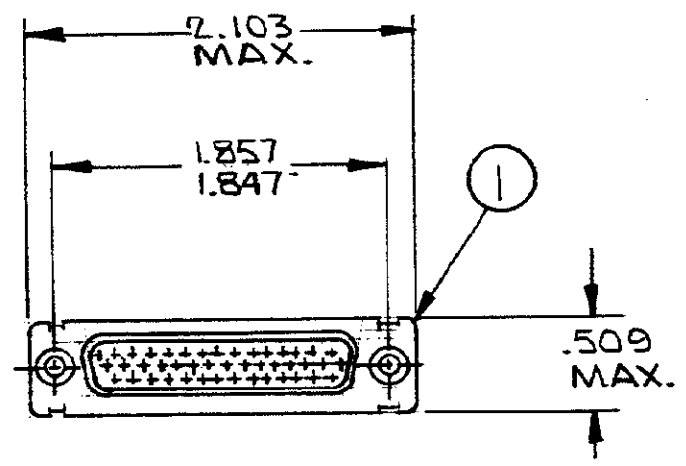
DRAWING MADE IN AMERICAN PROJECTION

© 1971 BY AMP INCORPORATED. ALL RIGHTS RESERVED. AMP PRODUCTS COVERED BY PATENTS AND/OR PATENTS PENDING.

Unpublished copy not to be reproduced without written permission of AMP Incorporated

⚠️ APPROPRIATE MILITARY P/N (KIT) IS MARKED ON PACKAGE

REVISIONS				
ZONE	LTR	DESCRIPTION	DATE	APPROVED
	A	REV. PER ECN B-948	5/14/73	[Signature]
	B	ITEM 2 WAS 91054-1 ECN C-878	3/17/74	[Signature]
	C	REV. PER ECN D-105	7/11/74	[Signature]
	D	REV PER ELN DF-001; DF-060 & R2670	1-13-88	EAM
	E	ECO-08-023688	PY 11-08	BW



SUPSD BY 204541-2 & 91067-1

48	48	B	204370-2	CONTACT, SOCKET, SIZE #22D	3
1	1	B	91067-1	INSERTION / EXTRACTION TOOL	2
1	1	C	204529-1	PLUG ASS'Y, SIZE #3	1
-3	-2	-1	DWG SIZE	NUMBER	NAME
					ITEM NO.

204541	204541	204541	UNLESS OTHERWISE SPECIFIED DIMENSIONS ARE IN INCHES TOLERANCES ON: DECIMALS ± # ANGLES ± #	CONTRACT NO.	AMP INCORPORATED HARRISBURG, PENNSYLVANIA			
			MATERIAL	DR. <i>R.P. Matthews</i> 7-15-71 <i>[Signature]</i> 7/20/71 APPR. <i>[Signature]</i> 7-20-71 REL. <i>R. Holladay</i> 7/20/71 DSGN APPD OTHER APPD		NAME KIT, "HDD" SERIES, PLUG, SIZE #3 WITH FLOATING BUSHINGS		
					SIZE B	CODE IDENT NO. 00779	NUMBER 204541	REV E
					SCALE #		SHEET 1 OF 1	

CUSTOMER DRAWING