



Chipsmall Limited consists of a professional team with an average of over 10 year of expertise in the distribution of electronic components. Based in Hongkong, we have already established firm and mutual-benefit business relationships with customers from,Europe,America and south Asia,supplying obsolete and hard-to-find components to meet their specific needs.

With the principle of “Quality Parts,Customers Priority,Honest Operation,and Considerate Service”,our business mainly focus on the distribution of electronic components. Line cards we deal with include Microchip,ALPS,ROHM,Xilinx,Pulse,ON,Everlight and Freescale. Main products comprise IC,Modules,Potentiometer,IC Socket,Relay,Connector.Our parts cover such applications as commercial,industrial, and automotives areas.

We are looking forward to setting up business relationship with you and hope to provide you with the best service and solution. Let us make a better world for our industry!



Contact us

Tel: +86-755-8981 8866 Fax: +86-755-8427 6832

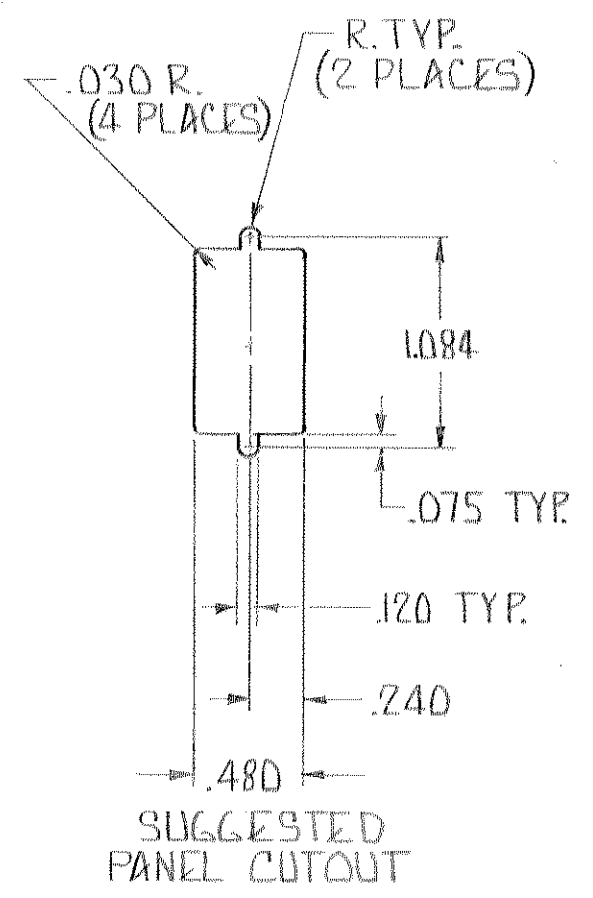
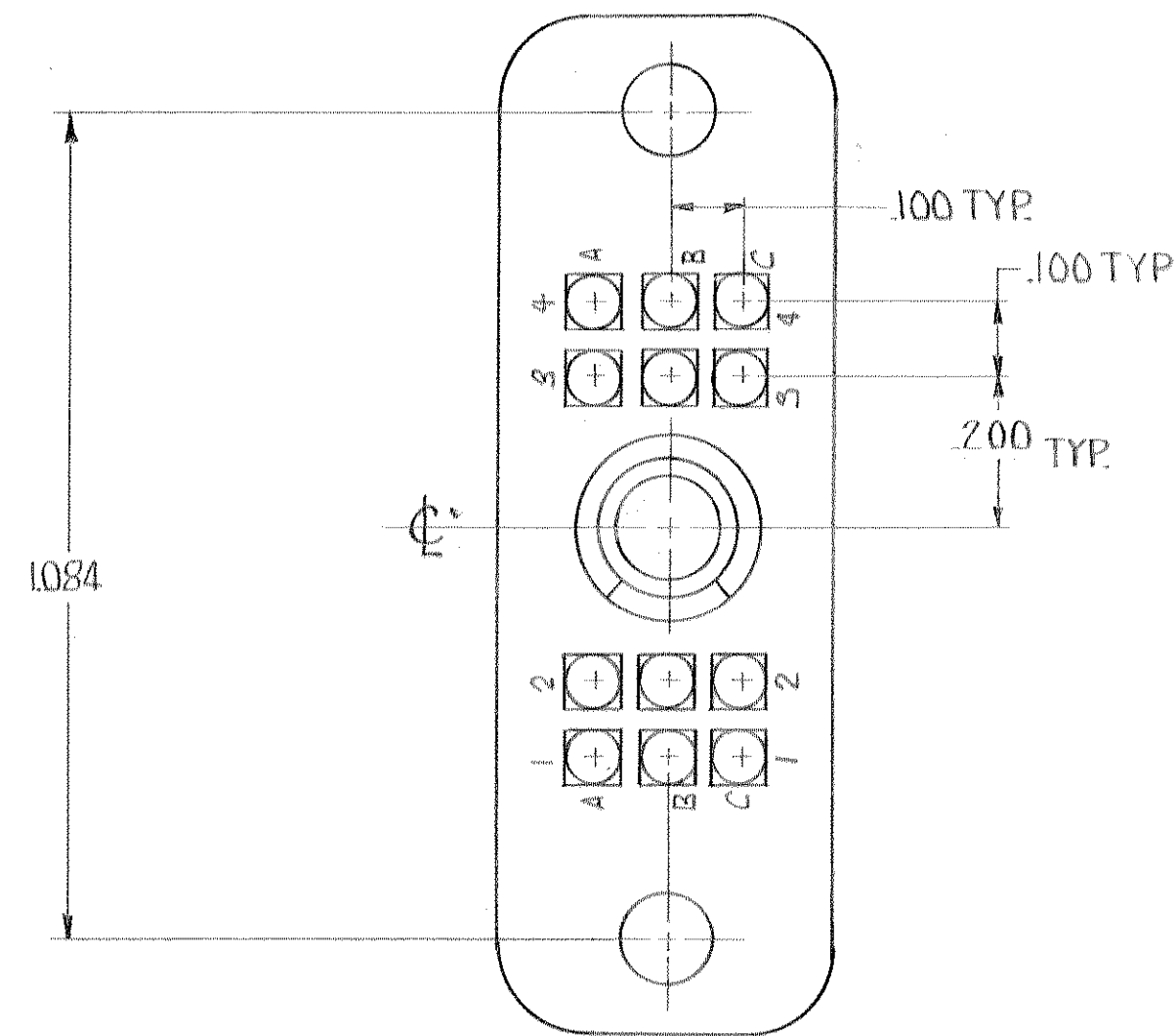
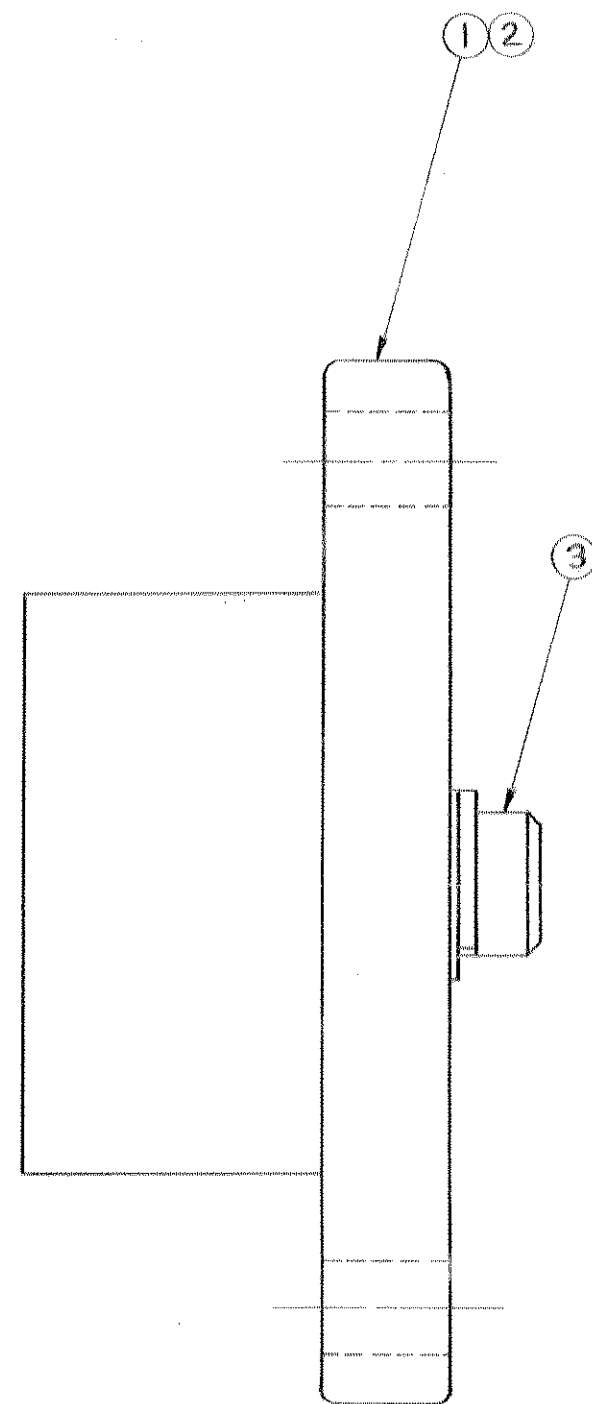
Email & Skype: info@chipsmall.com Web: www.chipsmall.com

Address: A1208, Overseas Decoration Building, #122 Zhenhua RD., Futian, Shenzhen, China



© 1969 BY AMP INCORPORATED. ALL RIGHTS RESERVED. AMP PRODUCTS COVERED BY PATENTS AND/OR PATENTS PENDING.

REVISIONS				
ZONE	LTR	DESCRIPTION	DATE	APPROVED
A		RELEASED AND REVISED PER ECN J-128	3/15/82	TCH SRD
B		REV PER 0630-276-01	CT	B-01 CT



1. CUSTOMER PART NO. MARKED ON OPPOSITE SIDE OF AMP

QTY	UNIT	DESCRIPTION	ITEM NO.
5		INK STAMP "AMP", ASSY. NO. AND DATE CODE	5
4		JACKSCREW ASSY. FIXED, FEMALE	4
3		BLOCK DIALYL PHTHALATE, BLUE	3
2		BLOCK PHENOLIC, BLACK	2
1			1

UNLESS OTHERWISE SPECIFIED DIMENSIONS ARE IN INCHES. TOLERANCES ON: DECIMALS ±.005 ANGLES ± #	CONTRACT NO.		AMP INCORPORATED HARRISBURG, PENNSYLVANIA	
	DR. H. Gaylow 10-15-69		NAME 12 POSITION "HDR" PLUG ASSY WITH FIXED FEMALE JACKSCREWS	
MATERIAL	CHK. R. Miller 11-6-69		SIZE C	
	APPD. K. Jones 11-7-69		CODE IDENT NO. 00779	
	REL. R. Jones 11-7-69		NUMBER 204727	
	DSGN/APPD.		SCALE	
	OTHER APPD.		SHEET 1 OF 1	

CUSTOMER DRAWING