



Chipsmall Limited consists of a professional team with an average of over 10 year of expertise in the distribution of electronic components. Based in Hongkong, we have already established firm and mutual-benefit business relationships with customers from,Europe,America and south Asia,supplying obsolete and hard-to-find components to meet their specific needs.

With the principle of “Quality Parts,Customers Priority,Honest Operation,and Considerate Service”,our business mainly focus on the distribution of electronic components. Line cards we deal with include Microchip,ALPS,ROHM,Xilinx,Pulse,ON,Everlight and Freescale. Main products comprise IC,Modules,Potentiometer,IC Socket,Relay,Connector.Our parts cover such applications as commercial,industrial, and automotives areas.

We are looking forward to setting up business relationship with you and hope to provide you with the best service and solution. Let us make a better world for our industry!



Contact us

Tel: +86-755-8981 8866 Fax: +86-755-8427 6832

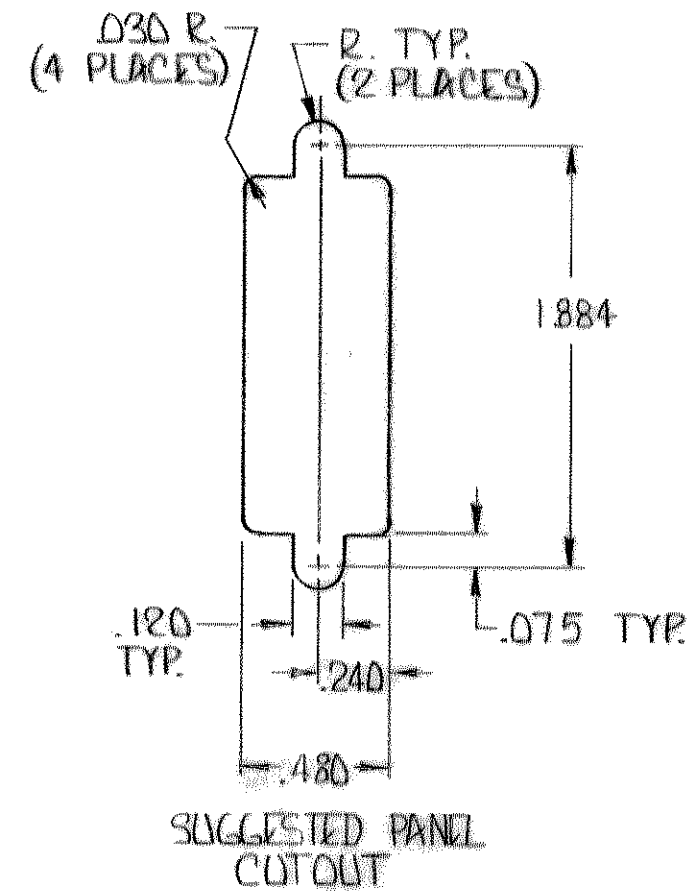
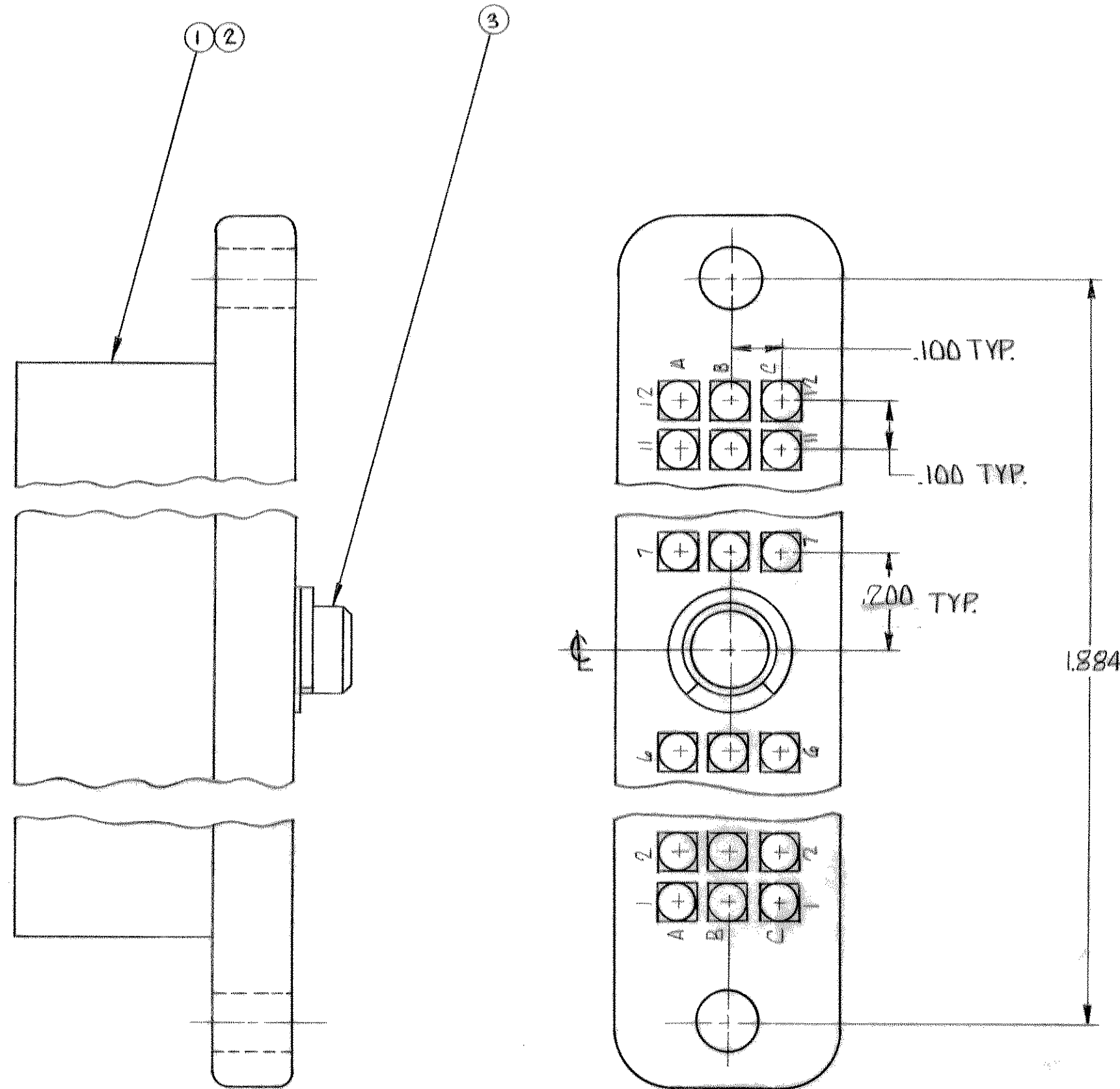
Email & Skype: info@chipsmall.com Web: www.chipsmall.com

Address: A1208, Overseas Decoration Building, #122 Zhenhua RD., Futian, Shenzhen, China



© 1947 BY AMP INCORPORATED. ALL RIGHTS RESERVED. AMP PRODUCTS COVERED BY PATENTS AND/OR PATENTS PENDING.

REVISIONS				
ZONE	LTR	DESCRIPTION	DATE	APPROVED
A	REV	PER 063D-276-01	CT 8-02 CT	



QTY	DRG	SIZE	NUMBER	NAME	REMARKS	ITEM NO.
1	1	A	204292-1	JACKSCREW ASSY.	FIXED, FEMALE	3
1	-	C	204281-6	BLOCK	DIALYL PHTHALATE, BLUE	2
-	1	C	204281-6	BLOCK	PHENOLIC, BLACK	1
-	2	-1	DWG	NUMBER	NAME	REMARKS

UNLESS OTHERWISE SPECIFIED DIMENSIONS ARE IN INCHES TOLERANCES ON : DECIMALS ± .005 ANGLES ± #	CONTRACT NO.		 AMP INCORPORATED HARRISBURG, PENNSYLVANIA		
	DR	A. Sayler 10-16-69			
	CHK	D. Miller 11-6-69			
	APPD	K. Jones 11-7-69			
	REL	R. Jones 11-7-69			
MATERIAL	DSGN APPD	OTHER APPD	SIZE	CODE IDENT NO.	NUMBER
			C	00779	204731
			SCALE	SHEET 1 OF 1	

CUSTOMER DRAWING