



Chipsmall Limited consists of a professional team with an average of over 10 year of expertise in the distribution of electronic components. Based in Hongkong, we have already established firm and mutual-benefit business relationships with customers from,Europe,America and south Asia,supplying obsolete and hard-to-find components to meet their specific needs.

With the principle of “Quality Parts,Customers Priority,Honest Operation,and Considerate Service”,our business mainly focus on the distribution of electronic components. Line cards we deal with include Microchip,ALPS,ROHM,Xilinx,Pulse,ON,Everlight and Freescale. Main products comprise IC,Modules,Potentiometer,IC Socket,Relay,Connector.Our parts cover such applications as commercial,industrial, and automotives areas.

We are looking forward to setting up business relationship with you and hope to provide you with the best service and solution. Let us make a better world for our industry!



Contact us

Tel: +86-755-8981 8866 Fax: +86-755-8427 6832

Email & Skype: info@chipsmall.com Web: www.chipsmall.com

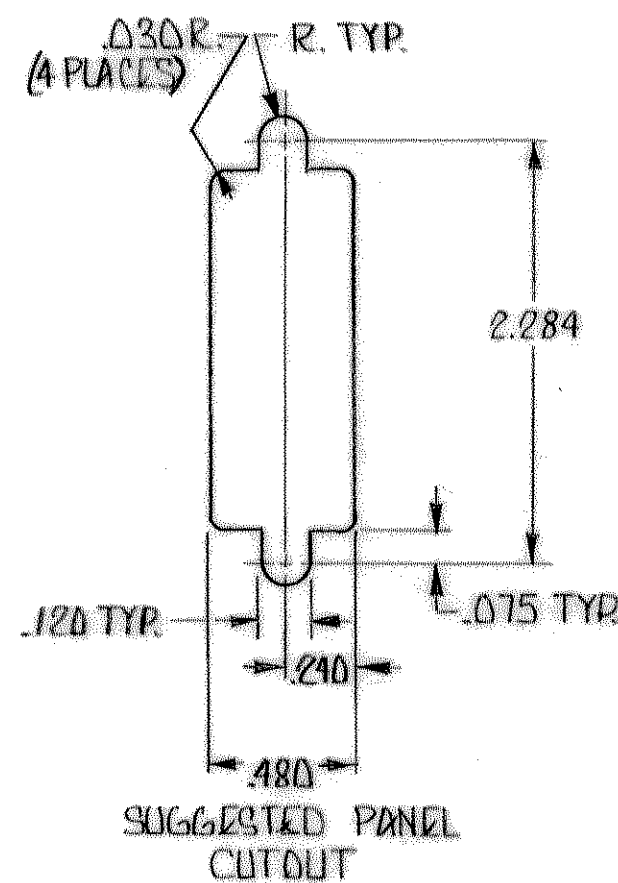
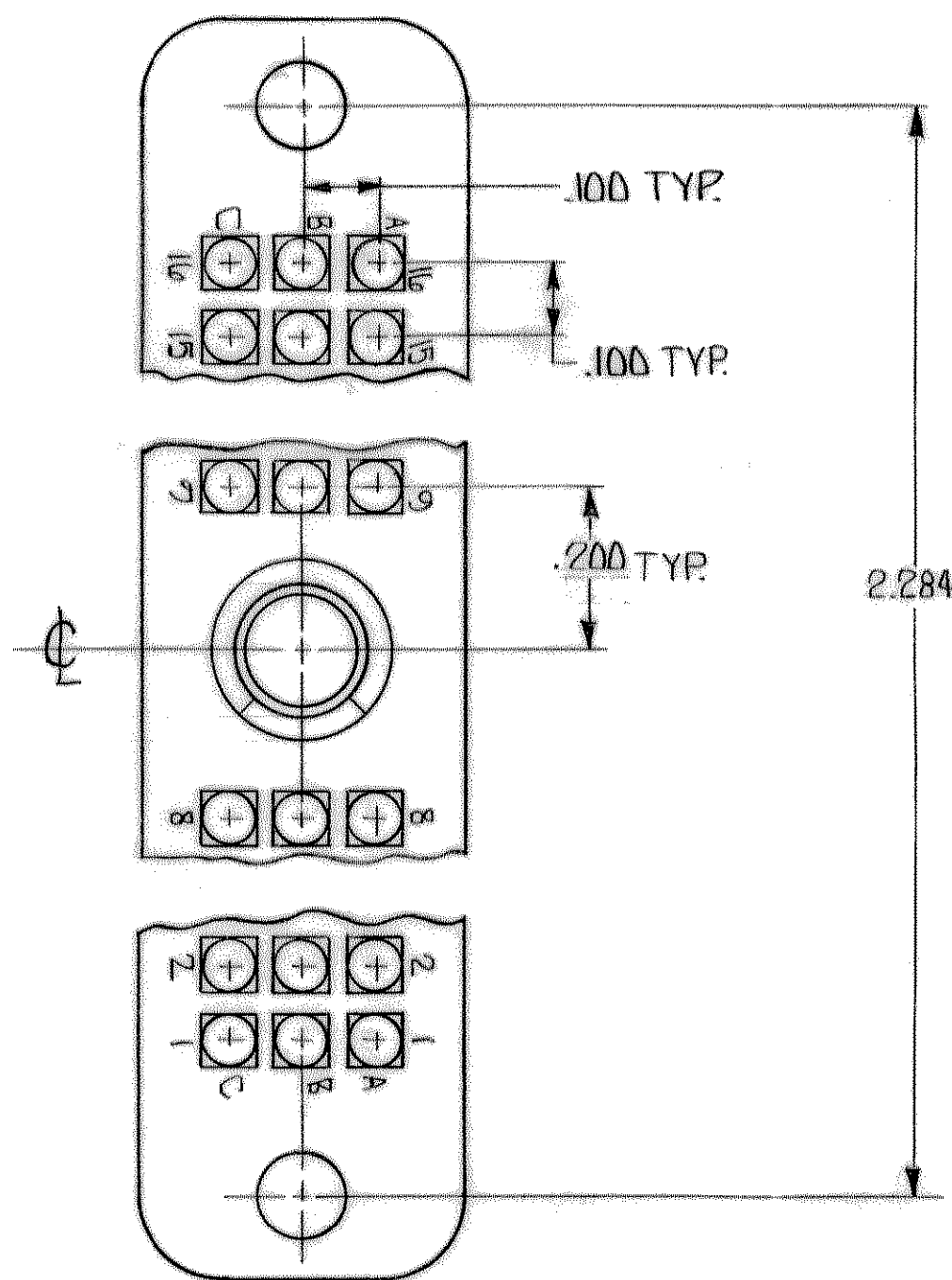
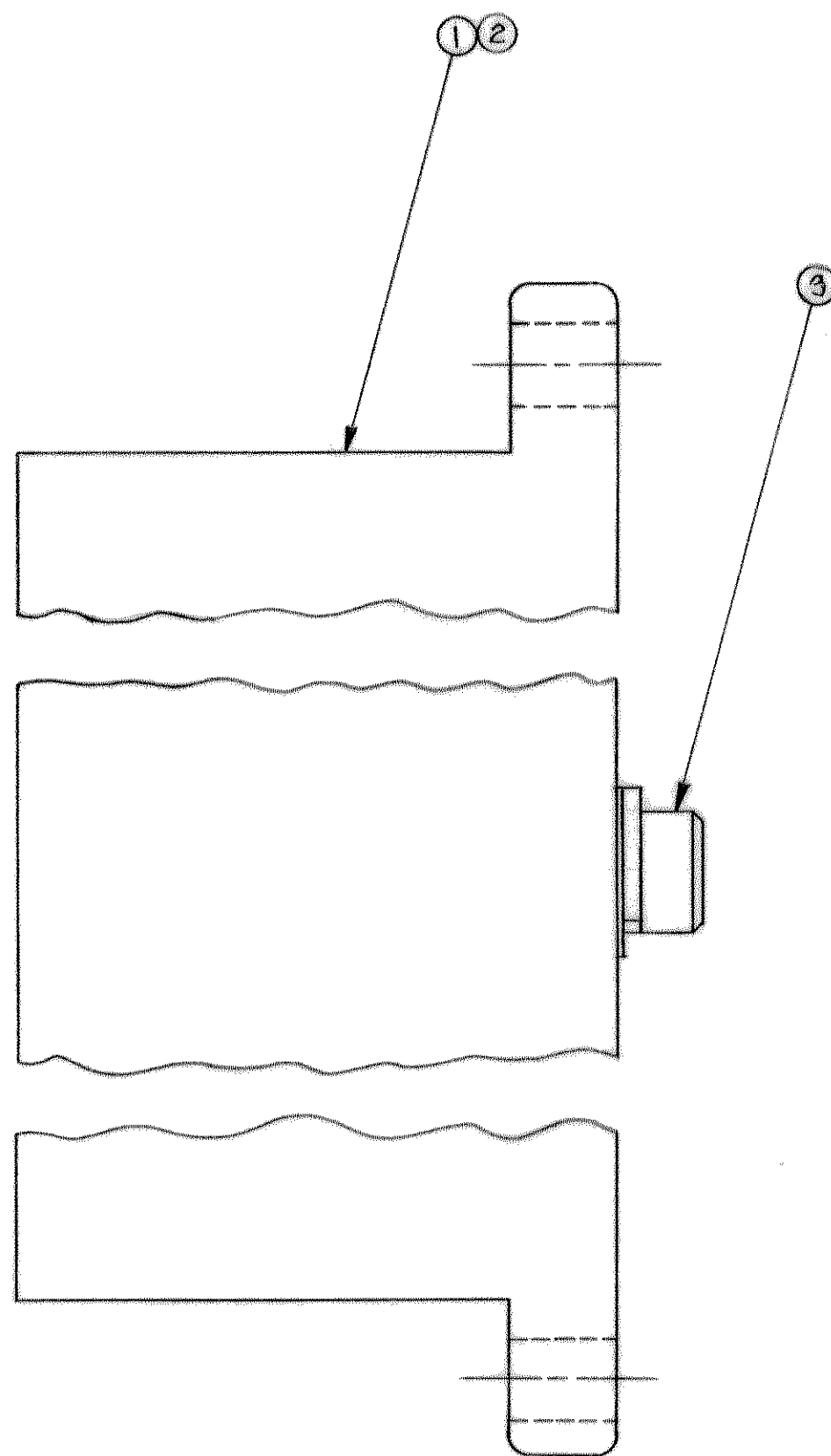
Address: A1208, Overseas Decoration Building, #122 Zhenhua RD., Futian, Shenzhen, China



© 1968 BY AMP INCORPORATED. ALL RIGHTS RESERVED. AMP PRODUCTS COVERED BY PATENTS AND/OR PATENTS PENDING.

REVISIONS				
ZONE	LTR	DESCRIPTION	DATE	APPROVED
A	REV PER	0630-276-01	CT	8-02 CT

Unpublished copy not to be reproduced without written permission of AMP



QTY	UNIT	SIZE	NUMBER	NAME	REMARKS	ITEM NO.
1	A	204222-1	JACKSCREW ASSY	FIXED FEMALE		3
1	C	204282-8	BLOCK	DIALYL PHTHALATE, BLUE		2
1	C	204282-8	BLOCK	PHENOLIC, BLACK		1
-2	DWG	SIZE	NUMBER	NAME	REMARKS	ITEM NO.

REQUIRED PER ASSY.

UNLESS OTHERWISE SPECIFIED DIMENSIONS ARE IN INCHES TOLERANCES ON : DECIMALS ± .005 ANGLES ± #	CONTRACT NO.		 AMP INCORPORATED HARRISBURG, PENNSYLVANIA	
	DR	J. Sayles 10-20-69		
	CHK	R. Miller 11-6-69	NAME	48 POSITION "HDR" RECEPTACLE ASSEMBLY WITH FIXED FEMALE JACKSCREW
	APPD	K. Jones 11-7-69	SIZE	C 00779
MATERIAL	REL	R. Jones 11-7-69	CODE IDENT NO.	NUMBER
	DSGN APPD			204734
	OTHER APPD		SCALE	SHEET 1 OF 1

CUSTOMER DRAWING

NUMBER 204734