



Chipsmall Limited consists of a professional team with an average of over 10 year of expertise in the distribution of electronic components. Based in Hongkong, we have already established firm and mutual-benefit business relationships with customers from,Europe,America and south Asia,supplying obsolete and hard-to-find components to meet their specific needs.

With the principle of “Quality Parts,Customers Priority,Honest Operation,and Considerate Service”,our business mainly focus on the distribution of electronic components. Line cards we deal with include Microchip,ALPS,ROHM,Xilinx,Pulse,ON,Everlight and Freescale. Main products comprise IC,Modules,Potentiometer,IC Socket,Relay,Connector.Our parts cover such applications as commercial,industrial, and automotives areas.

We are looking forward to setting up business relationship with you and hope to provide you with the best service and solution. Let us make a better world for our industry!



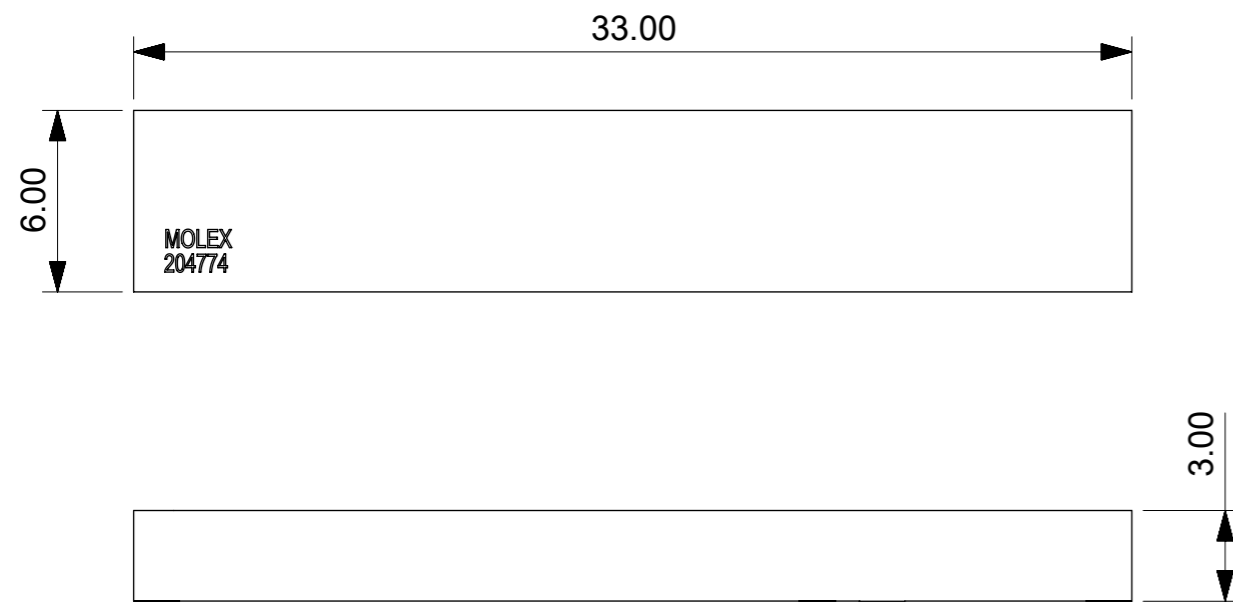
Contact us

Tel: +86-755-8981 8866 Fax: +86-755-8427 6832

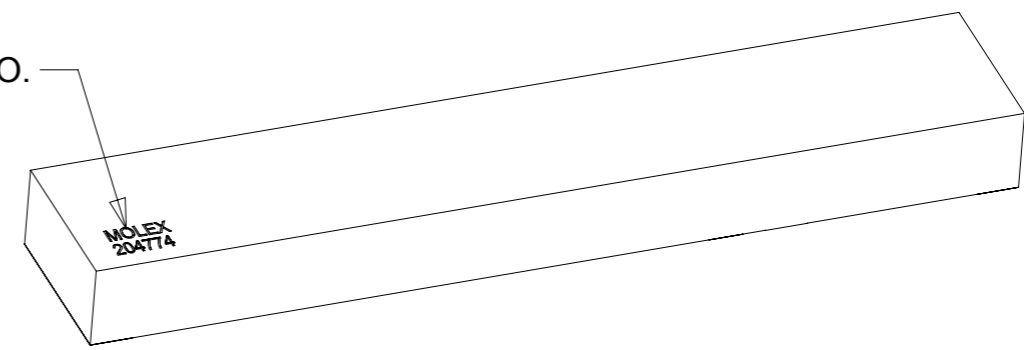
Email & Skype: info@chipsmall.com Web: www.chipsmall.com

Address: A1208, Overseas Decoration Building, #122 Zhenhua RD., Futian, Shenzhen, China

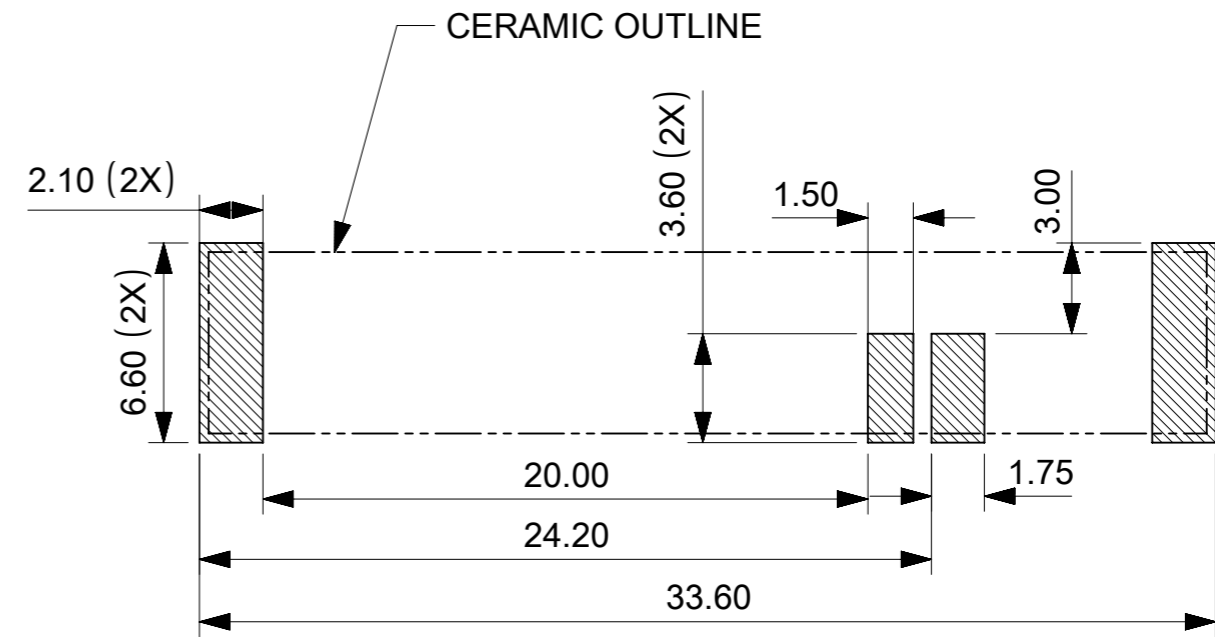
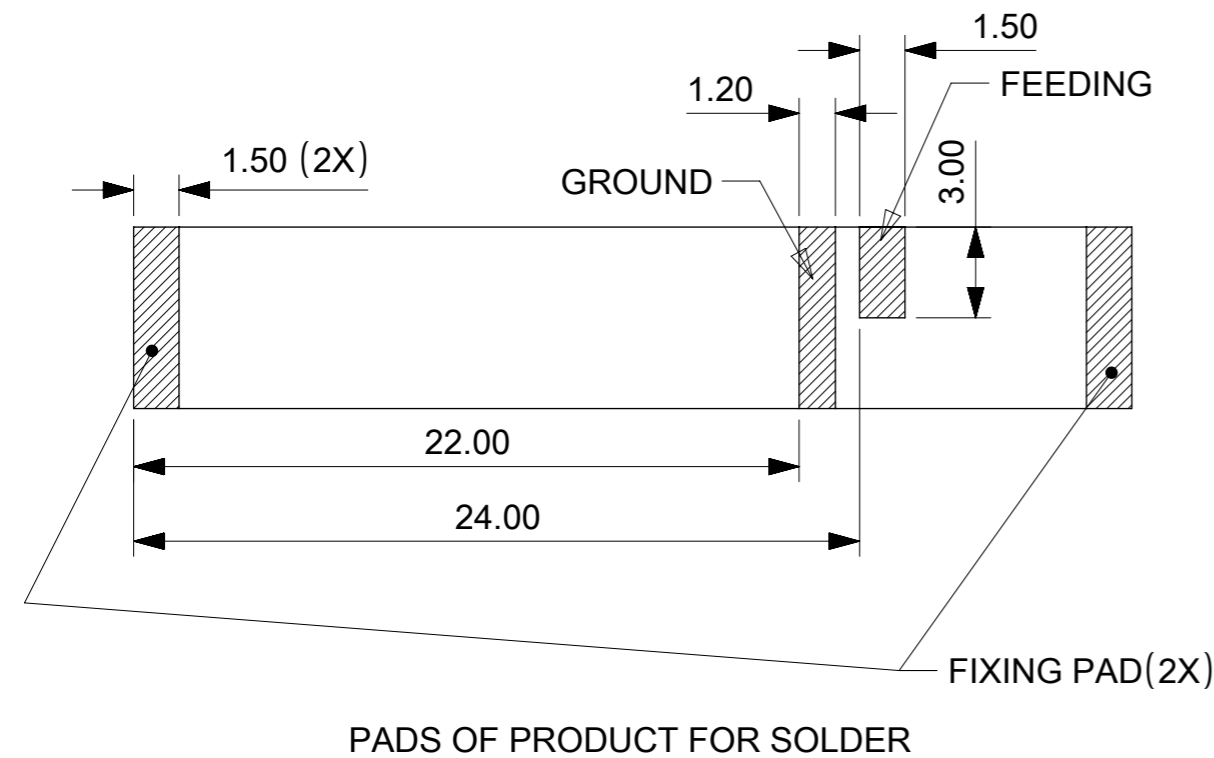




LOGO WITH SERIES NO.



3D VIEW



RECOMMENDED PCB LAYOUT

- NOTES:
1. MATERIAL: CERAMIC
 2. PATTERN: Ag PLATED, THICKNESS 4-11um
 3. PACKAGE SPEC. REFER TO PK OF 2047740001
 4. PRODUCT SPEC. REFER TO PS OF 2047740001
 5. APPLICATION SPEC. REFER TO AS OF 2047740001
 6. SUGGEST TO USE RED GLUE UNDER PART BEFORE SMT IF APPLICATION CONDITION IS STRICT

THIS DRAWING CONTAINS INFORMATION THAT IS PROPRIETARY TO MOLEX ELECTRONIC TECHNOLOGIES, LLC AND SHOULD NOT BE USED WITHOUT WRITTEN PERMISSION

EC NO: 167789 DRWN: KCHENG06 CHK'D: CXU11 APPR: XJSONG	2017/11/07 2017/11/16 2017/11/16	GENERAL TOLERANCES (UNLESS SPECIFIED) ANGULAR TOL ± 1 ° 4 PLACES ± 3 PLACES ± 0.1 2 PLACES ± 0.25 1 PLACE ± 0.3 0 PLACES ± 0.5	DIMENSION UNITS: MM SCALE: 4:1	
	DRWN BY: CXU11 DATE: 2017/06/29	CHK'D BY: YPXING DATE: 2017/08/17	CELLULAR 790-2700MHZ CERAMIC ANTENNA	
	APPR BY: XJSONG DATE: 2017/08/17	PRODUCT CUSTOMER DRAWING	SERIES: 204774 MATERIAL NUMBER: 2047740001 CUSTOMER: GENERAL MARKET	
	DRAFT WHERE APPLICABLE MUST REMAIN WITHIN DIMENSIONS	DRAWING SIZE: A3 THIRD ANGLE PROJECTION	DOCUMENT NUMBER: 2047740001 DOC TYPE: PSD DOC PART: SD SHEET NUMBER: 1 OF 1	