



Chipsmall Limited consists of a professional team with an average of over 10 year of expertise in the distribution of electronic components. Based in Hongkong, we have already established firm and mutual-benefit business relationships with customers from,Europe,America and south Asia,supplying obsolete and hard-to-find components to meet their specific needs.

With the principle of “Quality Parts,Customers Priority,Honest Operation,and Considerate Service”,our business mainly focus on the distribution of electronic components. Line cards we deal with include Microchip,ALPS,ROHM,Xilinx,Pulse,ON,Everlight and Freescale. Main products comprise IC,Modules,Potentiometer,IC Socket,Relay,Connector.Our parts cover such applications as commercial,industrial, and automotives areas.

We are looking forward to setting up business relationship with you and hope to provide you with the best service and solution. Let us make a better world for our industry!



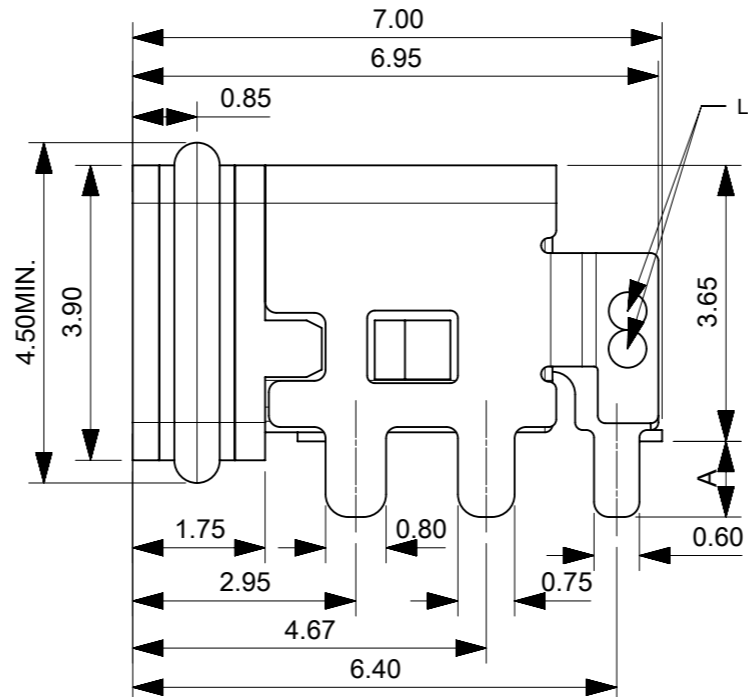
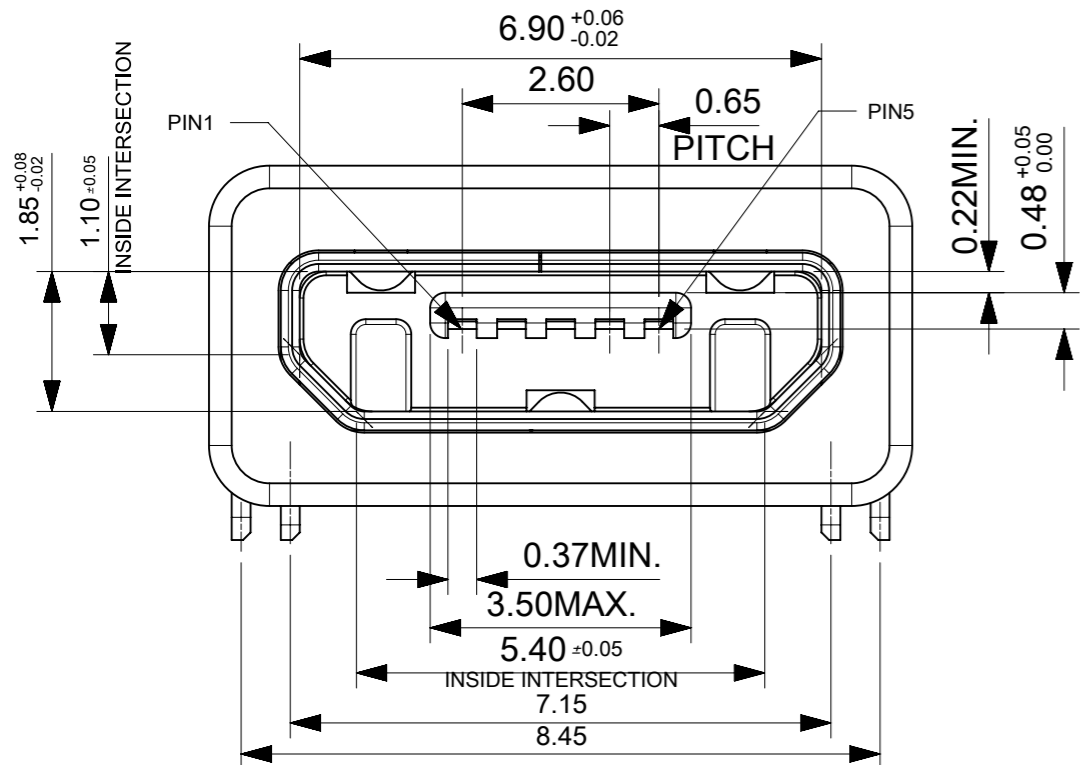
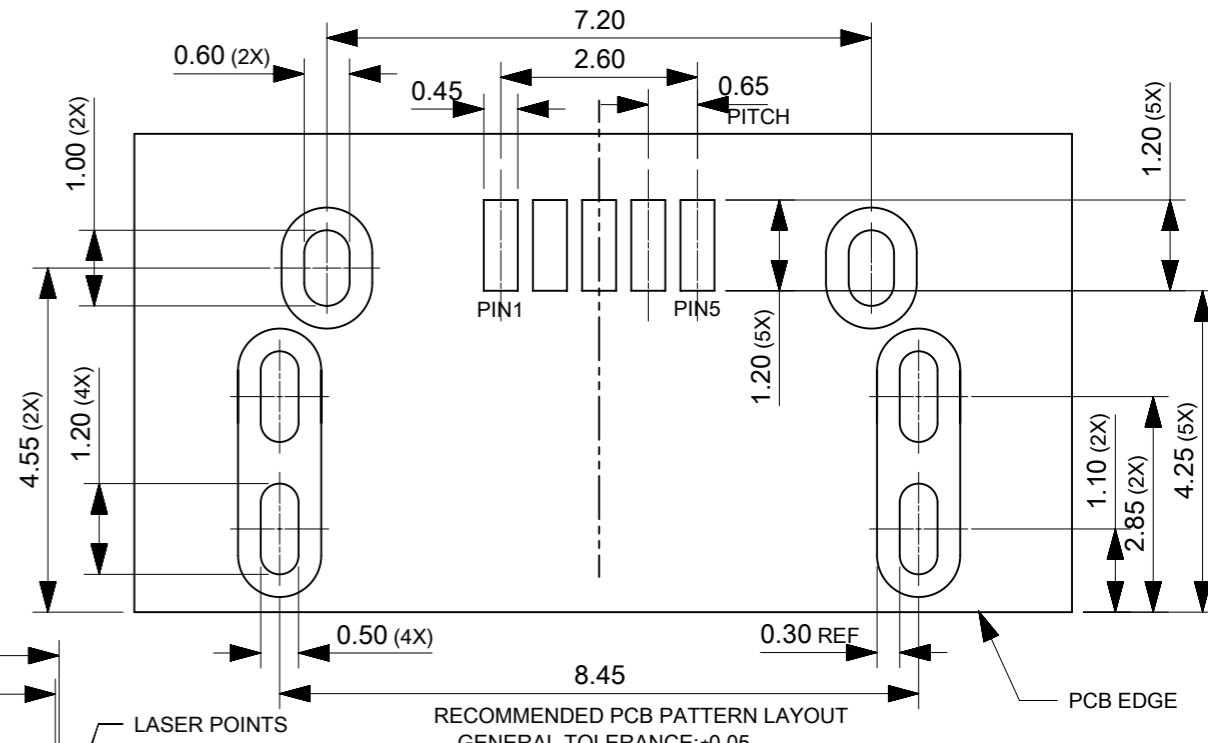
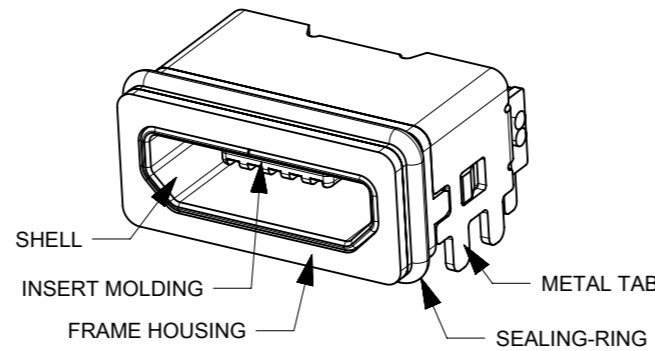
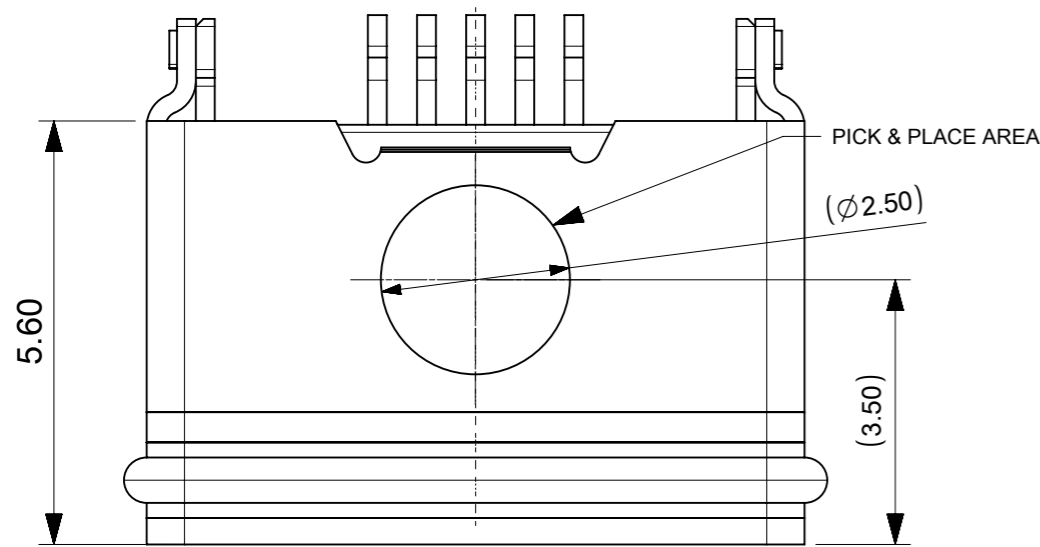
Contact us

Tel: +86-755-8981 8866 Fax: +86-755-8427 6832

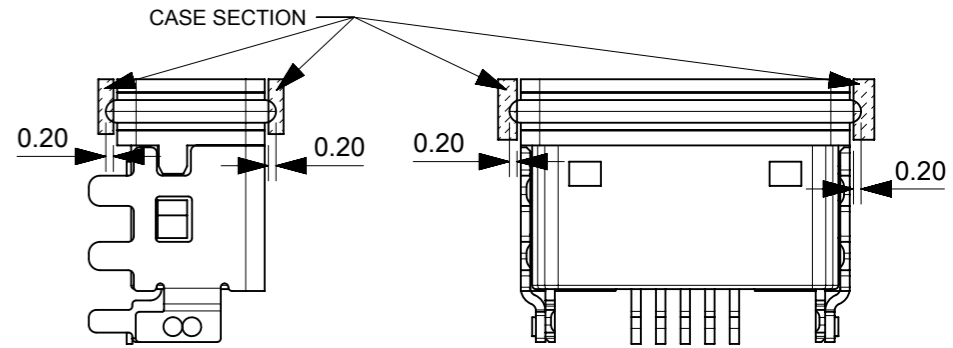
Email & Skype: info@chipsmall.com Web: www.chipsmall.com

Address: A1208, Overseas Decoration Building, #122 Zhenhua RD., Futian, Shenzhen, China





- NOTES:
- 1.MATERIAL:
HOUSING:LCP, BLACK, UL94V-0;
TERMINAL:COPPER ALLOY, THICKNESS :0.15mm;
SHELL:STAINLESS STEEL, THICKNESS:0.25mm;
METAL TAB:STAINLESS STEEL, THICKNESS:0.25mm;
SEALING RING:SILICON RUBBER.
 - 2.PLATING:
TERMINAL:CONTACT AREA:GOLD FLASH OVER MINIMUM 0.75MICRON Pd/Ni;
SOLDER TAIL AREA:GOLD FLASH; UNDER PLATING:NICKEL 2.0MICRON MINIMUM.
SHELL/METAL TAB:1.27MICRON MINIMUM SOLDERABLE NICKEL PLATING OVERALL.
 - 3.TAIL COPLANARITY 0.08mm MAXIMUM.
 - 4.PRODUCT SPECIFICATION:2049260001.
 - 5.PACKAGE SPECIFICATION:2049263333.
 - 6.PRODUCT MEET IP67 TEST REQUEST.
 - 7.COMPLIANT TO ROHS DIRECTIVE 2011/65/EU AND ELV 2000/53/EC.



WATERPROOF APPLICATION:
CUSTOMER'S CASE NEED TO COMPRESS THE SEALING RING
0.20mm AROUND TO ACHIEVE THE IPX7.

RECOMMENDED OPENING DIMENSIONS OF CASE
MATING AREA WITH SEALING RING

2049261104	0.50±0.08
2049261103	1.00±0.12
PART NUMBER	DIM A

5	GND
4	ID
3	D+
2	D-
1	VBUS
PIN	NAME
PIN ASSIGNMENT	

QUALITY SYMBOLS	THIS DRAWING CONTAINS INFORMATION THAT IS PROPRIETARY TO MOLEX ELECTRONIC TECHNOLOGIES, LLC AND SHOULD NOT BE USED WITHOUT WRITTEN PERMISSION																																																																																
▽ = 0	<table border="1"> <tr> <td>2018/07/11</td> <td>DRWN: TL197</td> <td>2018/07/16</td> <td>CHK'D: RZHANG</td> <td>2018/07/16</td> <td>APPR: RZHANG</td> </tr> <tr> <td>EC NO: 601287</td> <td colspan="5"></td> </tr> <tr> <td>DRWN: TL197</td> <td colspan="5"></td> </tr> <tr> <td>CHK'D: RZHANG</td> <td colspan="5"></td> </tr> <tr> <td>APPR: RZHANG</td> <td colspan="5"></td> </tr> <tr> <td colspan="6">GENERAL TOLERANCES (UNLESS SPECIFIED)</td> </tr> <tr> <td colspan="6">ANGULAR TOL ± 3.0 °</td> </tr> <tr> <td>4 PLACES</td> <td colspan="5">±</td> </tr> <tr> <td>3 PLACES</td> <td colspan="5">±</td> </tr> <tr> <td>2 PLACES</td> <td colspan="5">± 0.15</td> </tr> <tr> <td>1 PLACE</td> <td colspan="5">± 0.25</td> </tr> <tr> <td>0 PLACES</td> <td colspan="5">±</td> </tr> <tr> <td colspan="6">DRAFT WHERE APPLICABLE MUST REMAIN WITHIN DIMENSIONS</td> </tr> <tr> <td>▽ = 0</td> <td></td> </tr> </table>	2018/07/11	DRWN: TL197	2018/07/16	CHK'D: RZHANG	2018/07/16	APPR: RZHANG	EC NO: 601287						DRWN: TL197						CHK'D: RZHANG						APPR: RZHANG						GENERAL TOLERANCES (UNLESS SPECIFIED)						ANGULAR TOL ± 3.0 °						4 PLACES	±					3 PLACES	±					2 PLACES	± 0.15					1 PLACE	± 0.25					0 PLACES	±					DRAFT WHERE APPLICABLE MUST REMAIN WITHIN DIMENSIONS						▽ = 0	
2018/07/11		DRWN: TL197	2018/07/16	CHK'D: RZHANG	2018/07/16	APPR: RZHANG																																																																											
EC NO: 601287																																																																																	
DRWN: TL197																																																																																	
CHK'D: RZHANG																																																																																	
APPR: RZHANG																																																																																	
GENERAL TOLERANCES (UNLESS SPECIFIED)																																																																																	
ANGULAR TOL ± 3.0 °																																																																																	
4 PLACES		±																																																																															
3 PLACES		±																																																																															
2 PLACES	± 0.15																																																																																
1 PLACE	± 0.25																																																																																
0 PLACES	±																																																																																
DRAFT WHERE APPLICABLE MUST REMAIN WITHIN DIMENSIONS																																																																																	
▽ = 0																																																																																	

QUALITY SYMBOLS	THIS DRAWING CONTAINS INFORMATION THAT IS PROPRIETARY TO MOLEX ELECTRONIC TECHNOLOGIES, LLC AND SHOULD NOT BE USED WITHOUT WRITTEN PERMISSION	
▽ = 0	mm	SCALE 10:1
▽ = 0	DRWN BY TL197	DATE 2017/05/26
▽ = 0	CHK'D BY RZHANG	DATE 2017/08/01
▽ = 0	APPR BY RZHANG	DATE 2017/08/01
▽ = 0	DRAWING SIZE A3	THIRD ANGLE PROJECTION
▽ = 0	DRAFT WHERE APPLICABLE MUST REMAIN WITHIN DIMENSIONS	

molex			
SALES DRAWING FOR MICRO WATERPROOF USB			
PRODUCT CUSTOMER DRAWING			
SERIES	MATERIAL NUMBER	CUSTOMER	
204926	SEE TABLE		
DOCUMENT NUMBER	DOC TYPE	DOC PART	SHEET NUMBER
2049261111	PSD	000	1 OF 1