



Chipsmall Limited consists of a professional team with an average of over 10 year of expertise in the distribution of electronic components. Based in Hongkong, we have already established firm and mutual-benefit business relationships with customers from,Europe,America and south Asia,supplying obsolete and hard-to-find components to meet their specific needs.

With the principle of “Quality Parts,Customers Priority,Honest Operation,and Considerate Service”,our business mainly focus on the distribution of electronic components. Line cards we deal with include Microchip,ALPS,ROHM,Xilinx,Pulse,ON,Everlight and Freescale. Main products comprise IC,Modules,Potentiometer,IC Socket,Relay,Connector.Our parts cover such applications as commercial,industrial, and automotives areas.

We are looking forward to setting up business relationship with you and hope to provide you with the best service and solution. Let us make a better world for our industry!



## Contact us

Tel: +86-755-8981 8866 Fax: +86-755-8427 6832

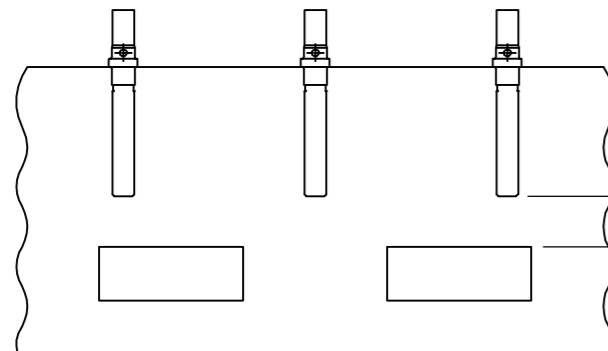
Email & Skype: info@chipsmall.com Web: www.chipsmall.com

Address: A1208, Overseas Decoration Building, #122 Zhenhua RD., Futian, Shenzhen, China

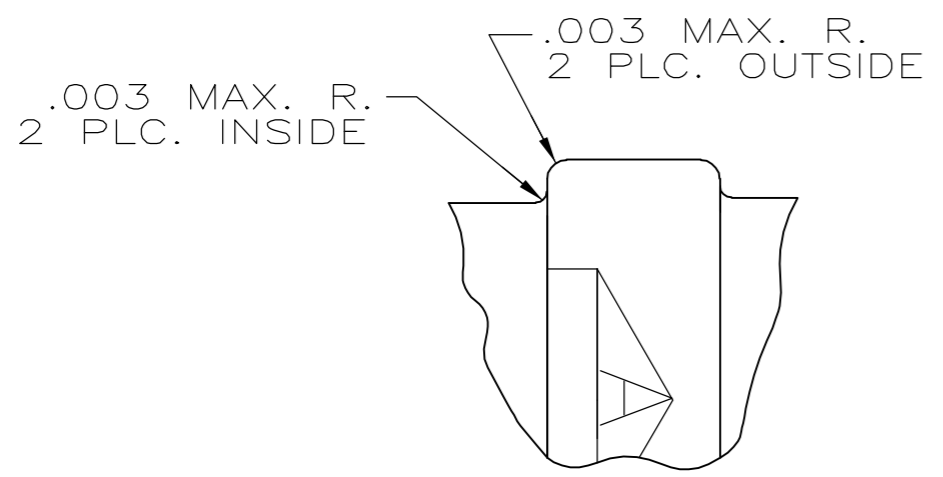
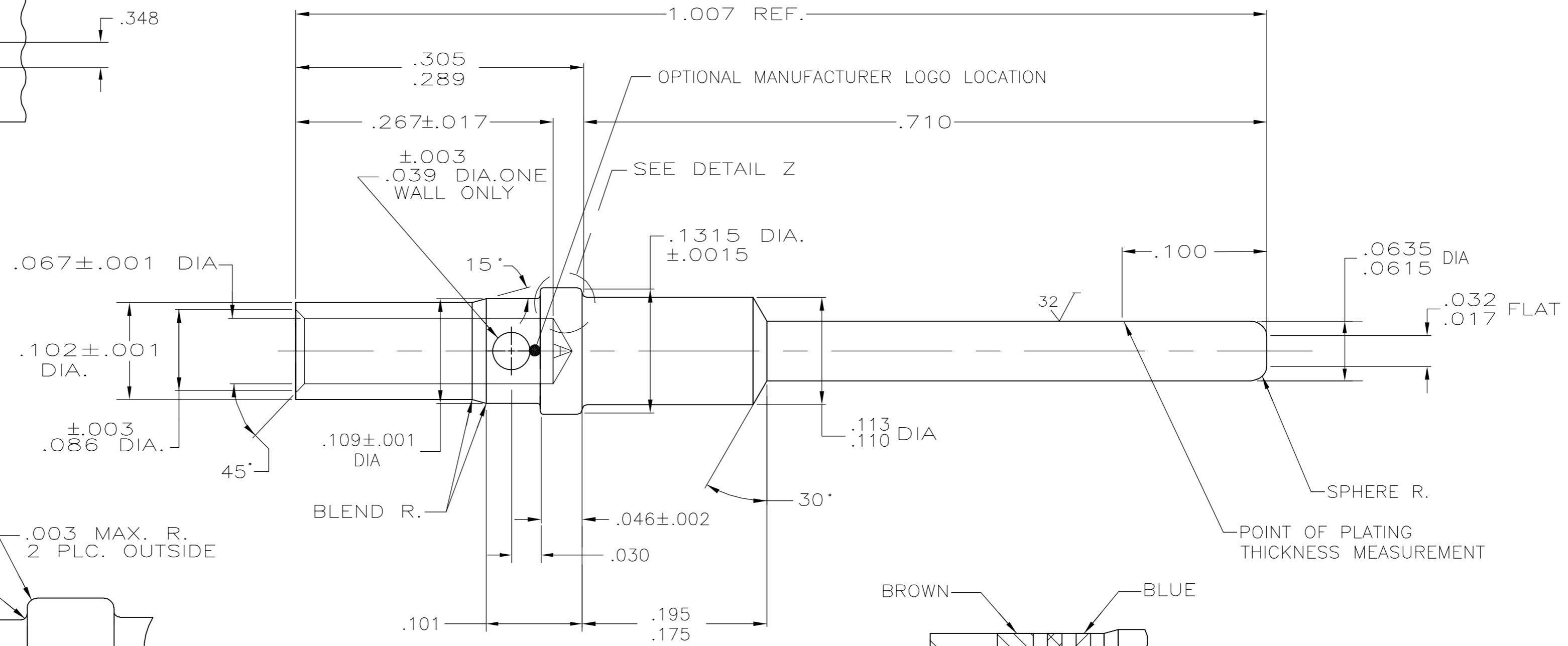


THIS DRAWING IS UNPUBLISHED. RELEASED FOR PUBLICATION  
 © COPYRIGHT BY TYCO ELECTRONICS CORPORATION. ALL RIGHTS RESERVED.

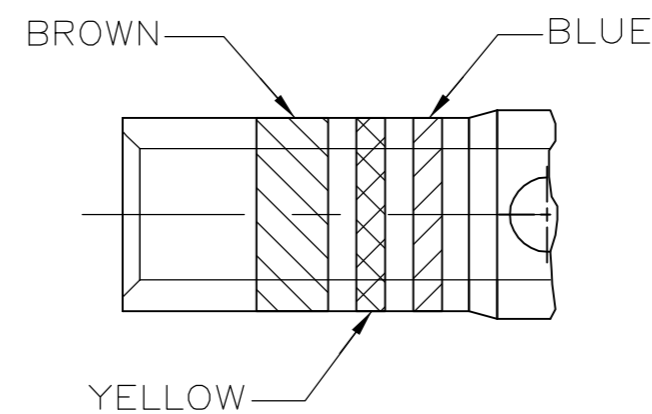
LOC	DIST	REVISIONS					
DF	A3	P	LTR	DESCRIPTION	DATE	DWN	APVD
		P		REV PER EC 0H14-0154-04	25JAN06	TK	CT



DETAIL A  
TAPE MOUNTED  
ASSEMBLY  
(-4 ONLY)



DETAIL Z  
SCALE 20:1



DETAIL

1. DIMENSIONS AFTER PLATING.

WHEN ORDERING CONTACT ON TAPE, ORDER BY THE TAPE NUMBER PLUS THE PACKAGING CODE AS FOLLOWS:

1. FOR USE WITH AMP TAPETRONIC, PNEUMATIC TOOL-
  - A. 1000 PARTS TO A BOX. ADD PACKAGING CODE: 1MBOX
2. FOR USE WITH 418 INDENT STRIPPER CRIMPER-
  - A. 1000 PARTS TO A BOX. ADD PACKAGING CODE: 1MBOX
  - B. 5000 PARTS TO A REEL. ADD PACKAGING CODE RMREEL

- 204978-2 1. SAME AS -1 EXCEPT:  
2. FINISH: PLATED GOLD PER MIL-6-45204  
OVERE NICKEL PER QQ-N-290
- 204978-3 1. AS SHOWN
- OBSOLETE 204978-4 1. SAME AS -3 EXCEPT:  
2. MOUNTED ON MYLAR TAPE
- OBSOLETE 204978-5 1. SAME AS -3 EXCEPT:  
2. GRAPHITE COATED  
3. NO COLOR BANDS
- OBSOLETE 204978-6 1. SAME AS -3 EXCEPT:  
2. COLOR CODE TO BE SINGLE BLUE BAND
- OBSOLETE 204978-8 1. SEE SHEET 2 OF 2

THIS DRAWING IS A CONTROLLED DOCUMENT.		DWN J.LINDERMAN 2-10-93	Tyco Electronics Corporation Harrisburg, PA 17105-3608																			
DIMENSIONS: INCHES		CHK A.SHARPE 2-24-93																				
TOLERANCES UNLESS OTHERWISE SPECIFIED:		APVD A.SHARPE 2-24-93	NAME PIN CONTACT, SIZE 16, ARINC 600																			
<table border="0"> <tr><td>0 PLC</td><td>±</td><td>-</td></tr> <tr><td>1 PLC</td><td>±</td><td>-</td></tr> <tr><td>2 PLC</td><td>±</td><td>.02</td></tr> <tr><td>3 PLC</td><td>±</td><td>.005</td></tr> <tr><td>4 PLC</td><td>±</td><td>-</td></tr> <tr><td>ANGLES</td><td>±</td><td>-</td></tr> </table>		0 PLC	±	-	1 PLC	±	-	2 PLC	±	.02	3 PLC	±	.005	4 PLC	±	-	ANGLES	±	-	PRODUCT SPEC -	SIZE A2	CAGE CODE 00779
0 PLC	±	-																				
1 PLC	±	-																				
2 PLC	±	.02																				
3 PLC	±	.005																				
4 PLC	±	-																				
ANGLES	±	-																				
MATERIAL SEE DASH NO.		FINISH -	APPLICATION SPEC -	DRAWING NO C=204978																		
		WEIGHT -	RESTRICTED TO -	SCALE 10:1																		
		CUSTOMER DRAWING	SHEET 1 of 1	REV P																		