



Chipsmall Limited consists of a professional team with an average of over 10 year of expertise in the distribution of electronic components. Based in Hongkong, we have already established firm and mutual-benefit business relationships with customers from,Europe,America and south Asia,supplying obsolete and hard-to-find components to meet their specific needs.

With the principle of "Quality Parts,Customers Priority,Honest Operation,and Considerate Service",our business mainly focus on the distribution of electronic components. Line cards we deal with include Microchip,ALPS,ROHM,Xilinx,Pulse,ON,Everlight and Freescale. Main products comprise IC,Modules,Potentiometer,IC Socket,Relay,Connector.Our parts cover such applications as commercial,industrial, and automotives areas.

We are looking forward to setting up business relationship with you and hope to provide you with the best service and solution. Let us make a better world for our industry!



## Contact us

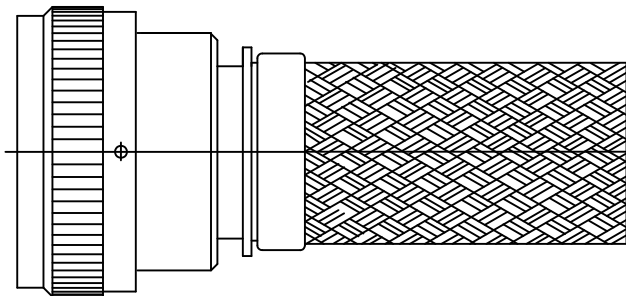
Tel: +86-755-8981 8866 Fax: +86-755-8427 6832

Email & Skype: info@chipsmall.com Web: www.chipsmall.com

Address: A1208, Overseas Decoration Building, #122 Zhenhua RD., Futian, Shenzhen, China



REVISIONS			
LTR	DESCRIPTION	DATE	APPROVED
P1	REVISED PER ECO-11-005139	29MAR11	RK/HMR
P2	REVISED PER ECO-12-011624	21JUN12	K. YEE



CODE 54 STRAIGHT, SHIELDED ADAPTER


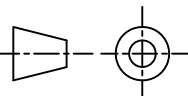
NOTES:

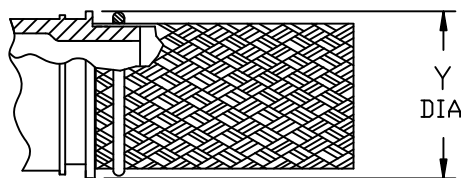
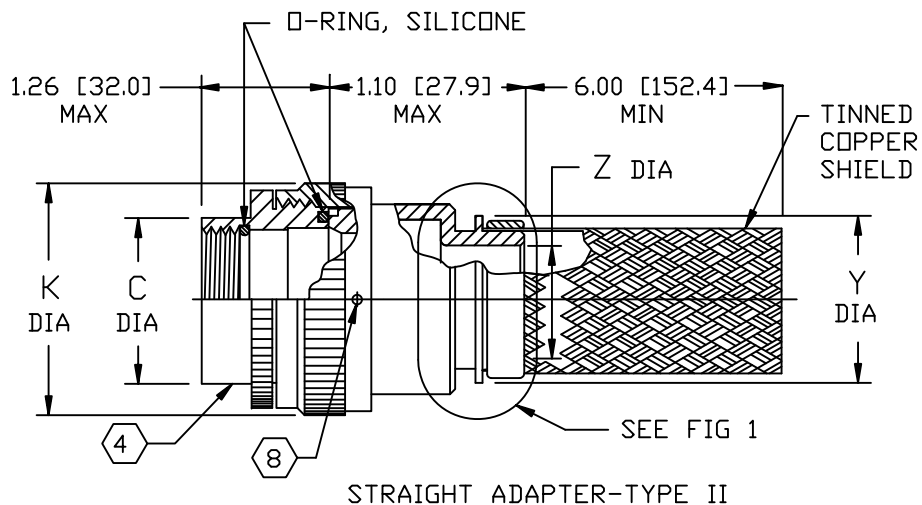
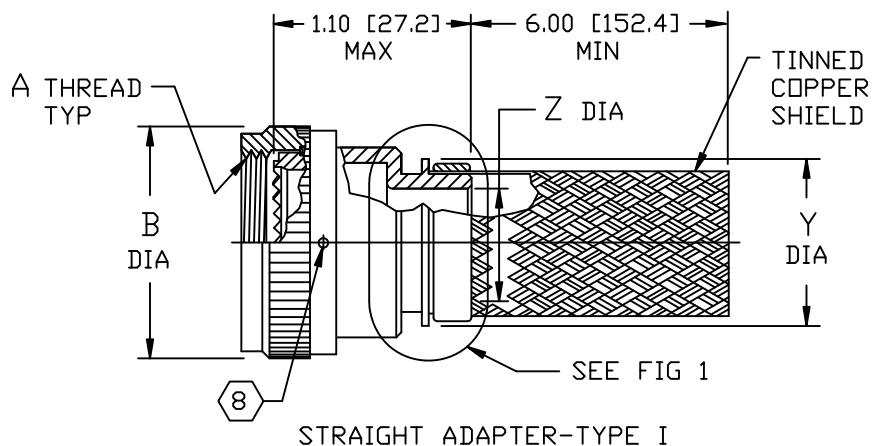
1. THIS PRODUCT IS DESIGNED TO TERMINATE A HEAT SHRINKABLE LIPPED BOOT TO A CONNECTOR.
2. FOR ADDITIONAL DIMENSIONS, ORDERING INFORMATION AND MODIFICATIONS, SEE CH00-0250-004.
3. ADAPTER TO BE PERMANENTLY MARKED WITH CODE IDENT. NO. AND PART NO. (E.G.: 06090-203M012-19A08).
- ④ FOR LARGER ENTRY SIZES, A 2 PIECE ADAPTER (TYPE II) IS SUPPLIED.
- ⑤ BRAID TERMINATION RING MAY BE SUPPLIED AS TINEL-LOCK SHAPE MEMORY RING AT MANUFACTURER'S OPTION.
- ⑥ ADAPTER MATES TO MIL-C-81703, SERIES III, MS3424, MS3446, MS3464, MS3467, MS3468, CLASS E & L.
- ⑦ ADAPTER MATES TO MIL-C-5015G, MS3400 SERIES, CLASS D, E, K, L, U & W: MS3400, MS3401, MS3404, MS3406, MS3450, MS3451, MS3454, MS3456, MS3470, MS3471, MS3472, MS3474, MS3475, MS3476. MIL-C-83723, SERIES II, CLASS A & L. MIL-C-83723, SERIES I & III, CLASS A, G, K, R & S: M83723/1, /2, /3, /4, /5, /6, /7, /8, /13, /14, /36, /37, /38, /40, /41, /42, /43, /48, /49, /65, /66, /67, /68, /69, /70, /71, /72, /73, /74, /75, /76, /77, /78, /82, /83, /84, /85, /86, /87, /91, /92, /95, /97, /98 (MS3155 CONTROLLED INTERFACE).
- ⑧ WHEN "L" MODIFICATION IS SPECIFIED, COUPLING NUT SHALL HAVE 3 LOCK WIRE HOLES, 120° APART.

If this document is printed it becomes uncontrolled. Check for the latest revision

©2012 Tyco Electronics Corporation. All rights reserved.

Raychem Adapters  
CUSTOMER DRAWING

UNLESS OTHERWISE SPECIFIED DIMENSIONS ARE IN INCHES. METRIC DIMENSIONS ARE IN BRACKETS.	DRAWN R. RAMIREZ	DATE 03-18-93		TE Connectivity		
	CHECKED	DATE		TITLE		
DIMENSIONING AND TOLERANCING PER ASME Y14.5M (ISO STANDARDS)	APPROVED W. C. GAY	DATE 05-19-93	ADAPTER, SHIELD, STRAIGHT CODE 54			
	APPROVED	DATE	CAD NAME 203M0XX_P2.dwg			
DECIMALS .XXX ± — [ mm] .XX ± — [ mm] .X ± — [ mm] ANGLES .X ± —	THIRD ANGLE PROJECTION		SIZE A	CODE IDENT. NO. 06090	DWG. NO. 203M0XX	REV P2
			DO NOT SCALE THIS DWG		SHEET 1 OF 3	



TINEL-LOCK TERMINATION

FIG 1 5

If this document is printed it becomes uncontrolled. Check for the latest revision

Raychem Adapters  
**CUSTOMER DRAWING**

SIZE	CODE IDENT. NO.	DWG. NO.	REV
A	06090	203M0XX	P2
DO NOT SCALE THIS DWG		CAD NAME 203M0XX_P2-2.dwg	SHEET 2 OF 3




TABLE I						
BASE PART NO.	SHELL SIZE		MAX ENTRY SIZE TYPE I 	A THREAD CLASS 2B	B DIA MAX	C DIA MAX
						
203M003	3		04	.562-24 UNEF	.669 [16.99]	.695 [17.65]
203M008		8 & 8S	04	.500-20 UNF	.617 [15.67]	.630 [16.00]
203M010		10, 10S & 10SL	06	.625-24 UNEF	.734 [18.64]	.757 [19.23]
203M012	7	12 & 12S	08	.750-20 UNEF	.858 [21.79]	.882 [22.40]
203M014	12	14 & 14S	09	.875-20 UNEF	.984 [24.99]	1.007 [25.58]
203M016	19	16 & 16S	11	1.000-20 UNEF	1.112 [28.24]	1.132 [28.75]
203M018	27	18	12	1.062-18 UNEF	1.218 [30.94]	1.218 [30.94]
203M020	37	20	14	1.188-18 UNEF	1.345 [34.16]	1.345 [34.16]
203M022		22	16	1.312-18 UNEF	1.468 [37.29]	1.468 [37.29]
203M024		24	18	1.438-18 UNEF	1.593 [40.46]	1.593 [40.46]
203M028		28	22	1.750-18 UNS	1.969 [50.01]	1.969 [50.01]
203M032		32	24	2.000-18 UNS	2.219 [56.36]	2.219 [56.36]
203M036		36	28	2.250-16 UN	2.469 [62.71]	2.469 [62.71]
203M040		40	28	2.500-16 UN	2.719 [69.06]	2.719 [69.06]
203M044		44	28	2.750-16 UN	2.969 [75.41]	2.969 [75.41]
203M048		48	28	3.000-16 UN	3.219 [81.76]	3.219 [81.76]
203M061	61		18	1.500-18 UNEF	1.653 [41.99]	1.653 [41.99]

TABLE II			
ENTRY SIZE	K MAX	Z $\pm 0.020$ [ $\pm 0.51$ ]	Y DIA MIN
03	NA	.187 [4.75]	.393 [9.98]
04	NA	.250 [6.35]	.456 [11.58]
05	.80 [20.3]	.312 [7.92]	.515 [13.08]
06	.80 [20.3]	.375 [9.53]	.581 [14.76]
07	.92 [23.4]	.438 [11.13]	.643 [16.33]
08	.92 [23.4]	.500 [12.70]	.705 [17.91]
09	1.18 [30.0]	.562 [14.27]	.705 [17.91]
10	1.18 [30.0]	.625 [15.88]	.831 [21.11]
11	1.18 [30.0]	.688 [17.48]	.893 [22.68]
12	1.35 [34.3]	.750 [19.05]	.953 [24.21]
13	1.41 [35.8]	.812 [20.62]	.953 [24.21]
14	1.41 [35.8]	.875 [22.23]	1.081 [27.46]
15	1.60 [40.6]	.938 [23.83]	1.143 [29.03]
16	1.60 [40.6]	1.000 [25.40]	1.205 [30.61]
18	1.66 [42.2]	1.125 [28.58]	1.381 [35.08]
20	2.04 [51.8]	1.250 [31.75]	1.506 [38.25]
22	2.23 [56.6]	1.375 [34.93]	1.631 [41.43]
24	2.23 [56.6]	1.500 [38.10]	1.756 [44.60]
28	2.48 [63.0]	1.750 [44.45]	2.004 [50.90]

If this document is printed it becomes uncontrolled. Check for the latest revision

Raychem Adapters  
CUSTOMER DRAWING

SIZE	CODE IDENT. NO.	DWG. NO.	REV
A	06090	203M0XX	P2
DO NOT SCALE THIS DWG		CAD NAME 203M0XX_P2-3.dwg	SHEET 3 OF 3