



Chipsmall Limited consists of a professional team with an average of over 10 year of expertise in the distribution of electronic components. Based in Hongkong, we have already established firm and mutual-benefit business relationships with customers from,Europe,America and south Asia,supplying obsolete and hard-to-find components to meet their specific needs.

With the principle of “Quality Parts,Customers Priority,Honest Operation,and Considerate Service”,our business mainly focus on the distribution of electronic components. Line cards we deal with include Microchip,ALPS,ROHM,Xilinx,Pulse,ON,Everlight and Freescale. Main products comprise IC,Modules,Potentiometer,IC Socket,Relay,Connector.Our parts cover such applications as commercial,industrial, and automotives areas.

We are looking forward to setting up business relationship with you and hope to provide you with the best service and solution. Let us make a better world for our industry!



Contact us

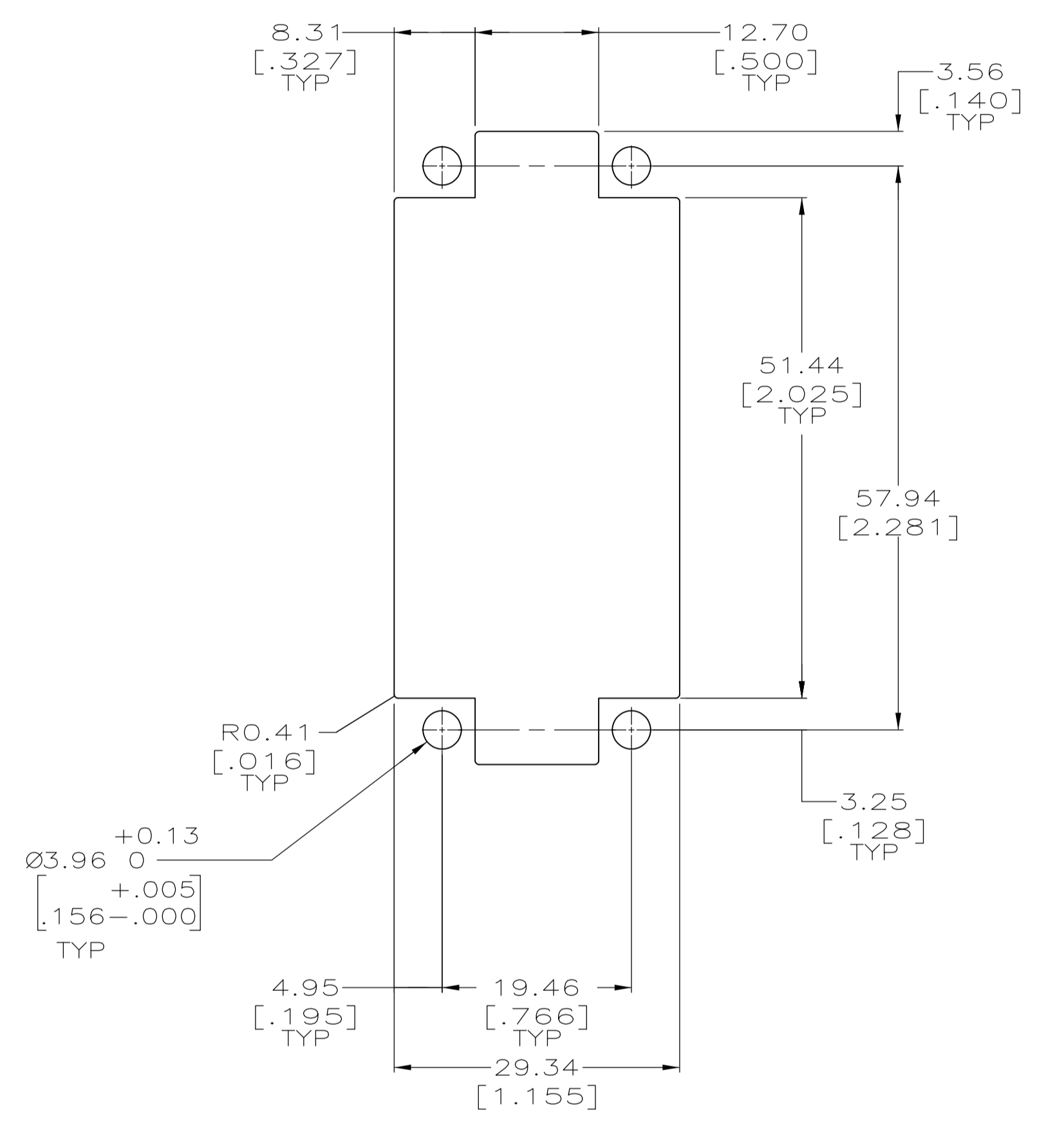
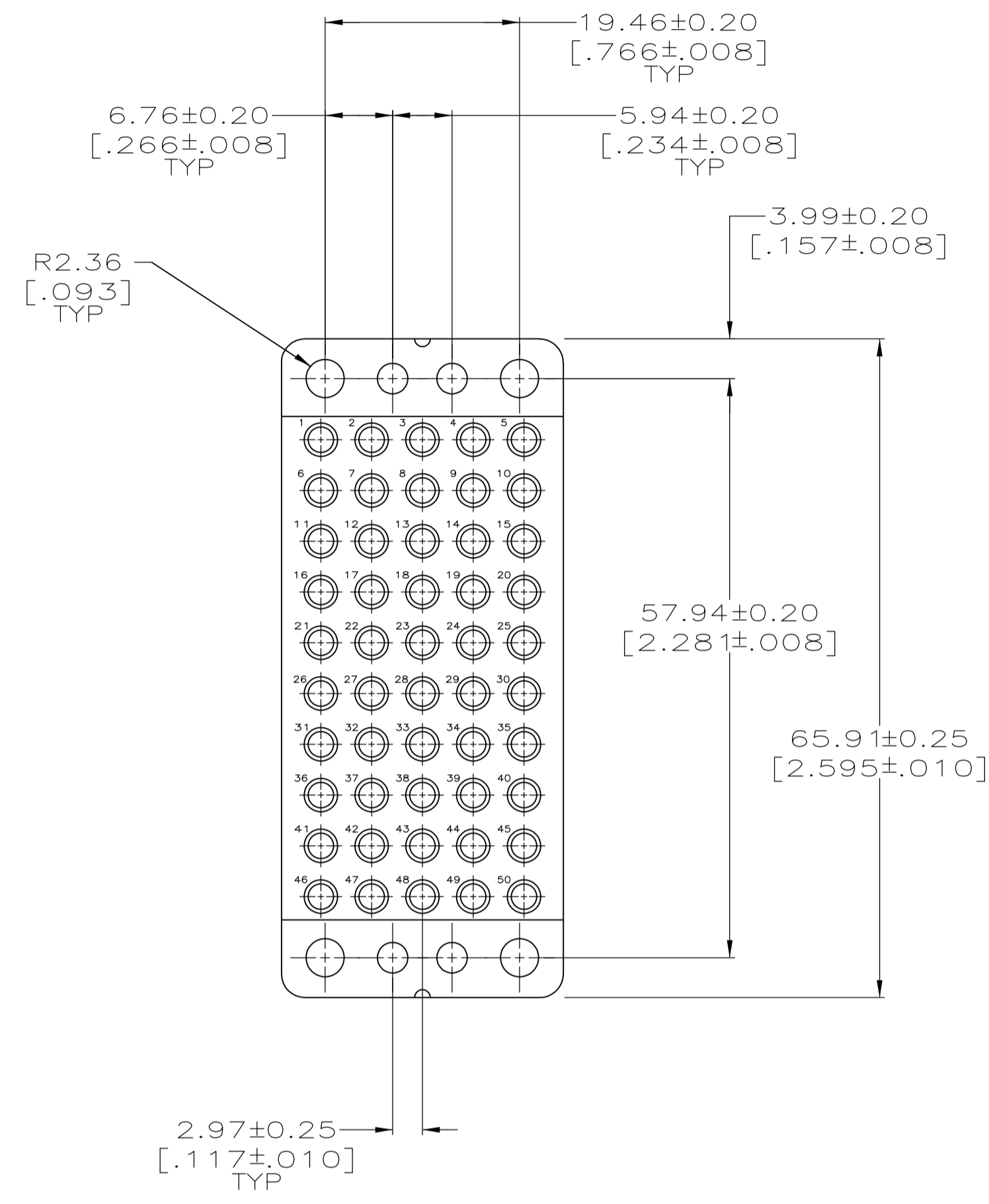
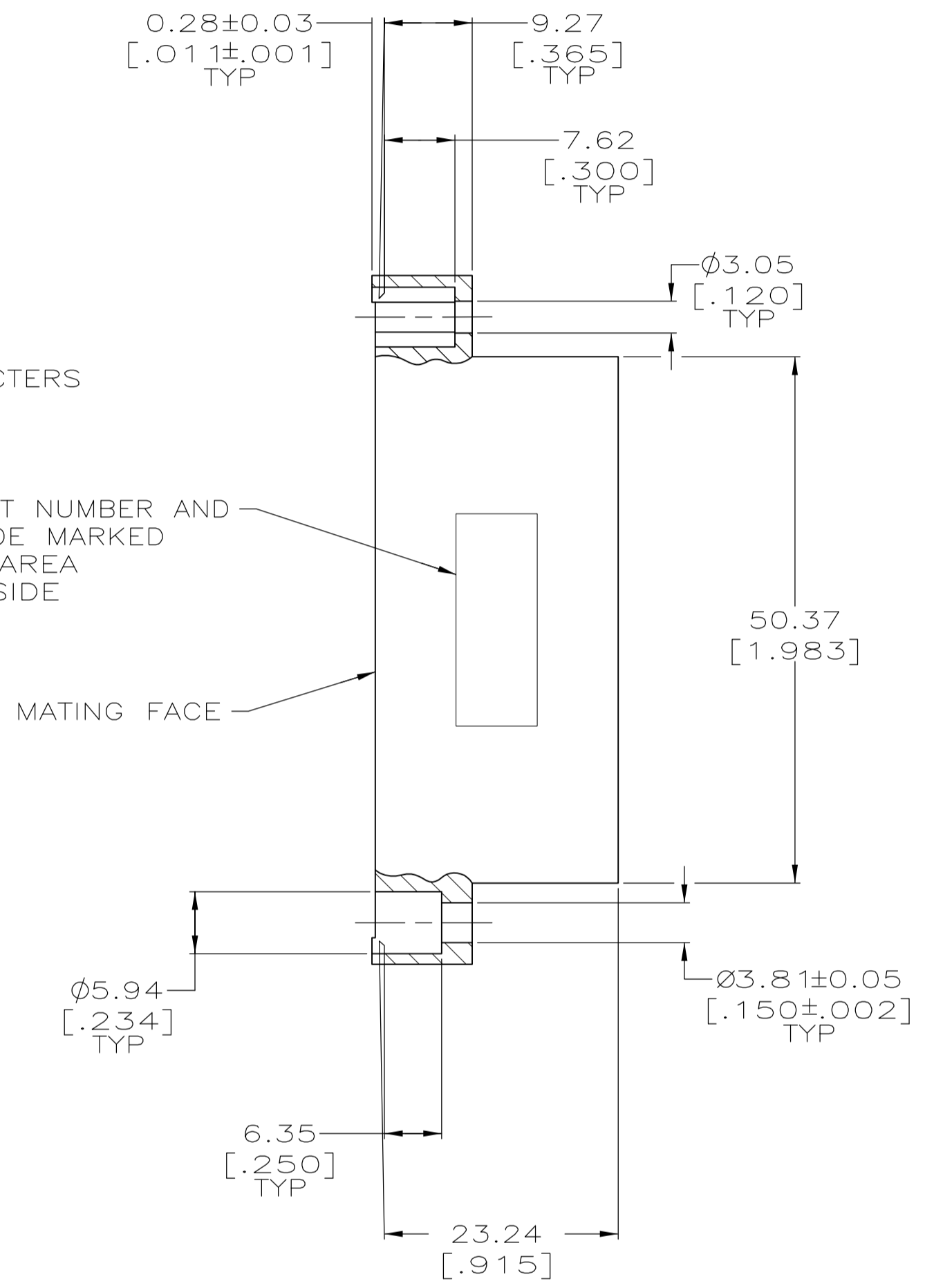
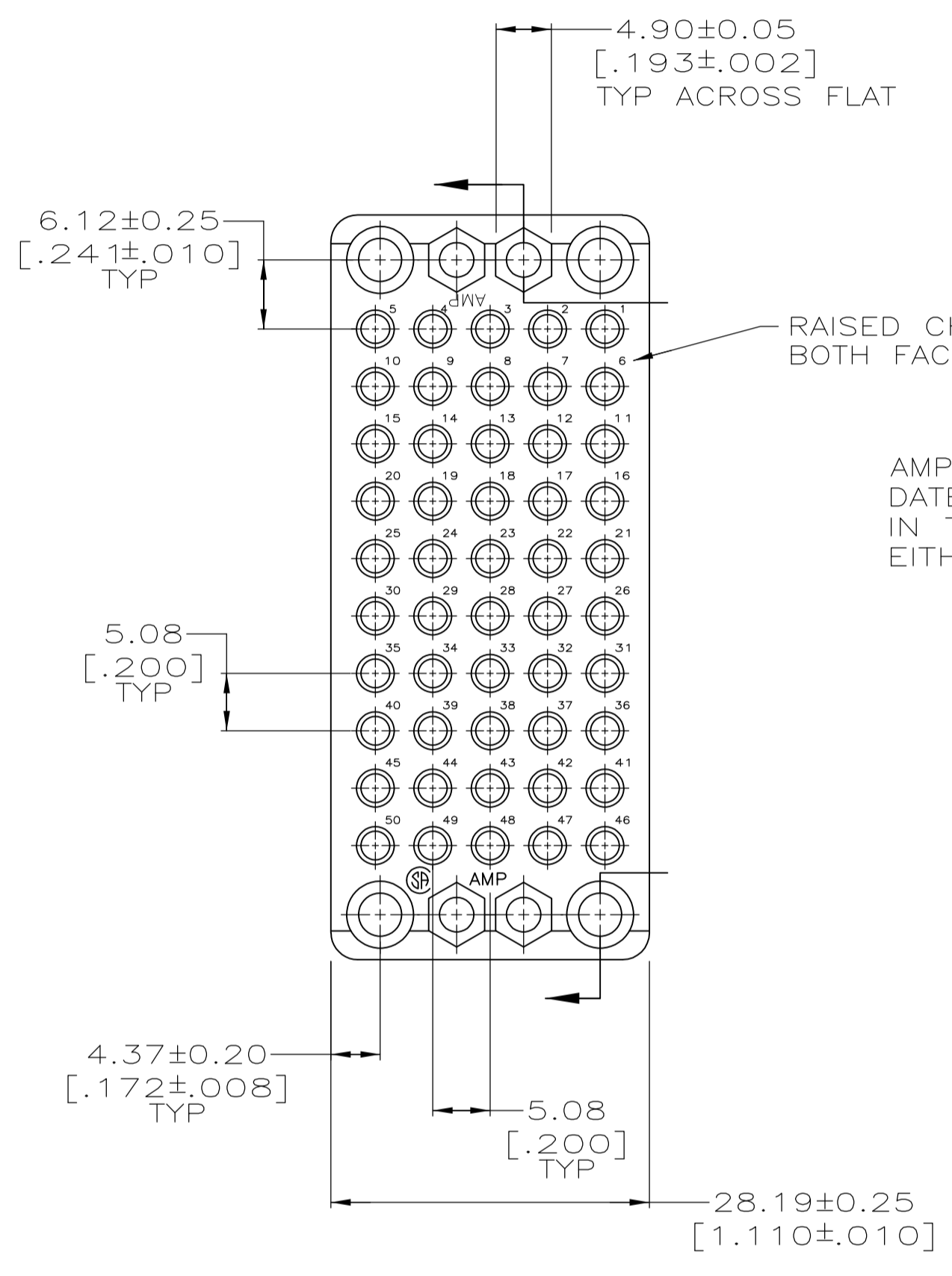
Tel: +86-755-8981 8866 Fax: +86-755-8427 6832

Email & Skype: info@chipsmall.com Web: www.chipsmall.com

Address: A1208, Overseas Decoration Building, #122 Zhenhua RD., Futian, Shenzhen, China



LOC		DIST		REVISIONS			
P	LTR	DESCRIPTION	DATE	DMN	APVD		
F		REVISED PER ECO-08-028426	14NOV08	HMR	GS		



RECOMMENDED PANEL CUTOUT

1 ACCOMODATES TYPE II OR III+ #16 PIN CONTACTS OR TYPE II OR III+ #16 SOCKETS.

205058-2
PART NUMBER

THIS DRAWING IS A CONTROLLED DOCUMENT.		DMN C. OBERMAN 15 OCT 97	Tyco Electronics Corporation Harrisburg, PA 17105-3608	
DIMENSIONS: mm [INCHES]		CHK R. STONE 23 OCT 97	NAME G. STEINHAUER 13 JAN 98	
TOLERANCES UNLESS OTHERWISE SPECIFIED:		PRODUCT SPEC		
0. PLC	± -	APPLICATION SPEC		
1. PLC	± -	SIZE		
2. PLC	± 0.13 [.005]	CAGE CODE		
3. PLC	± -	DRAWING NO		
4. PLC	± -	WEIGHT		
ANGLES	± -	A1 00779 C=205058		
MATERIAL PHENOLIC, BLACK PER MIL-M-14 TYPE C.F.C.	FINISH -	CUSTOMER DRAWING		
		RESTRICTED TO	SCALE 2:1	SHEET 1 OF 1
			REV F	