



Chipsmall Limited consists of a professional team with an average of over 10 year of expertise in the distribution of electronic components. Based in Hongkong, we have already established firm and mutual-benefit business relationships with customers from,Europe,America and south Asia,supplying obsolete and hard-to-find components to meet their specific needs.

With the principle of "Quality Parts,Customers Priority,Honest Operation,and Considerate Service",our business mainly focus on the distribution of electronic components. Line cards we deal with include Microchip,ALPS,ROHM,Xilinx,Pulse,ON,Everlight and Freescale. Main products comprise IC,Modules,Potentiometer,IC Socket,Relay,Connector.Our parts cover such applications as commercial,industrial, and automotives areas.

We are looking forward to setting up business relationship with you and hope to provide you with the best service and solution. Let us make a better world for our industry!



Contact us

Tel: +86-755-8981 8866 Fax: +86-755-8427 6832

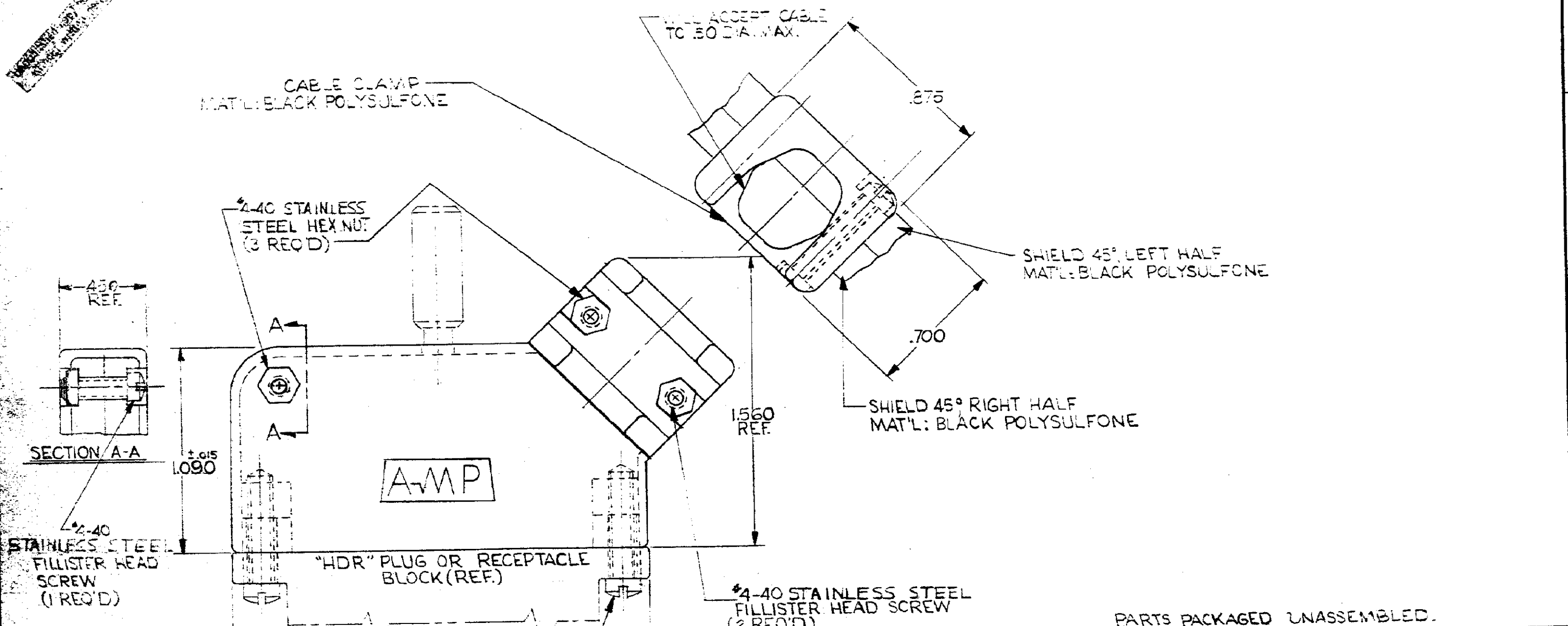
Email & Skype: info@chipsmall.com Web: www.chipsmall.com

Address: A1208, Overseas Decoration Building, #122 Zhenhua RD., Futian, Shenzhen, China



MADE IN AMERICAN PRODUCTION
 © 1970 BY AMP INCORPORATED. ALL RIGHTS RESERVED. AMP PRODUCTS COVERED BY PATENTS AND/OR PATENTS PENDING.

REVISIONS				
ZONE	LTR	DESCRIPTION	DATE	APPROVED
	0	RELEASE WAS 504-354-8	6-29-70	WAS
	A	REV. PER ECN F-007	6-30-70	
	E	REV. PER ECN G-290	6-30-70	
	C	REV. PER ECN R-2572	6-30-70	



205083-4	2.534	48
-3	2.134	36
-2	1.734	24
205083-1	1.334	12
PART NUMBER	A	NUMBER OF WIRES

UNLESS OTHERWISE SPECIFIED DIMENSIONS ARE IN INCHES TOLERANCES ON: DECIMALS ± # ANGLES ± #	CONTRACT NO.		AMP INCORPORATED HARRISBURG, PENNSYLVANIA	
	DR. <i>L. Morningstar</i>	6-29-70	NAME SHIELD 45° STRAIN RELIEF ASSY "HDR" SERIES	
	CHK. <i>R. Smith</i>	6-30-70		
	MATERIAL	APPD. <i>R. Smith</i>	6-30-70	SIZE B
SEE CALLOUT	REL. <i>R. Smith</i>	6-30-70	NUMBER 205083	SCALE
	DSGN APPD.			SHEET 1 OF 1
	OTHER APPD.			

PARTS PACKAGED UNASSEMBLED.

CUSTOMER DRAWING