



Chipsmall Limited consists of a professional team with an average of over 10 year of expertise in the distribution of electronic components. Based in Hongkong, we have already established firm and mutual-benefit business relationships with customers from,Europe,America and south Asia,supplying obsolete and hard-to-find components to meet their specific needs.

With the principle of “Quality Parts,Customers Priority,Honest Operation,and Considerate Service”,our business mainly focus on the distribution of electronic components. Line cards we deal with include Microchip,ALPS,ROHM,Xilinx,Pulse,ON,Everlight and Freescale. Main products comprise IC,Modules,Potentiometer,IC Socket,Relay,Connector.Our parts cover such applications as commercial,industrial, and automotives areas.

We are looking forward to setting up business relationship with you and hope to provide you with the best service and solution. Let us make a better world for our industry!



## Contact us

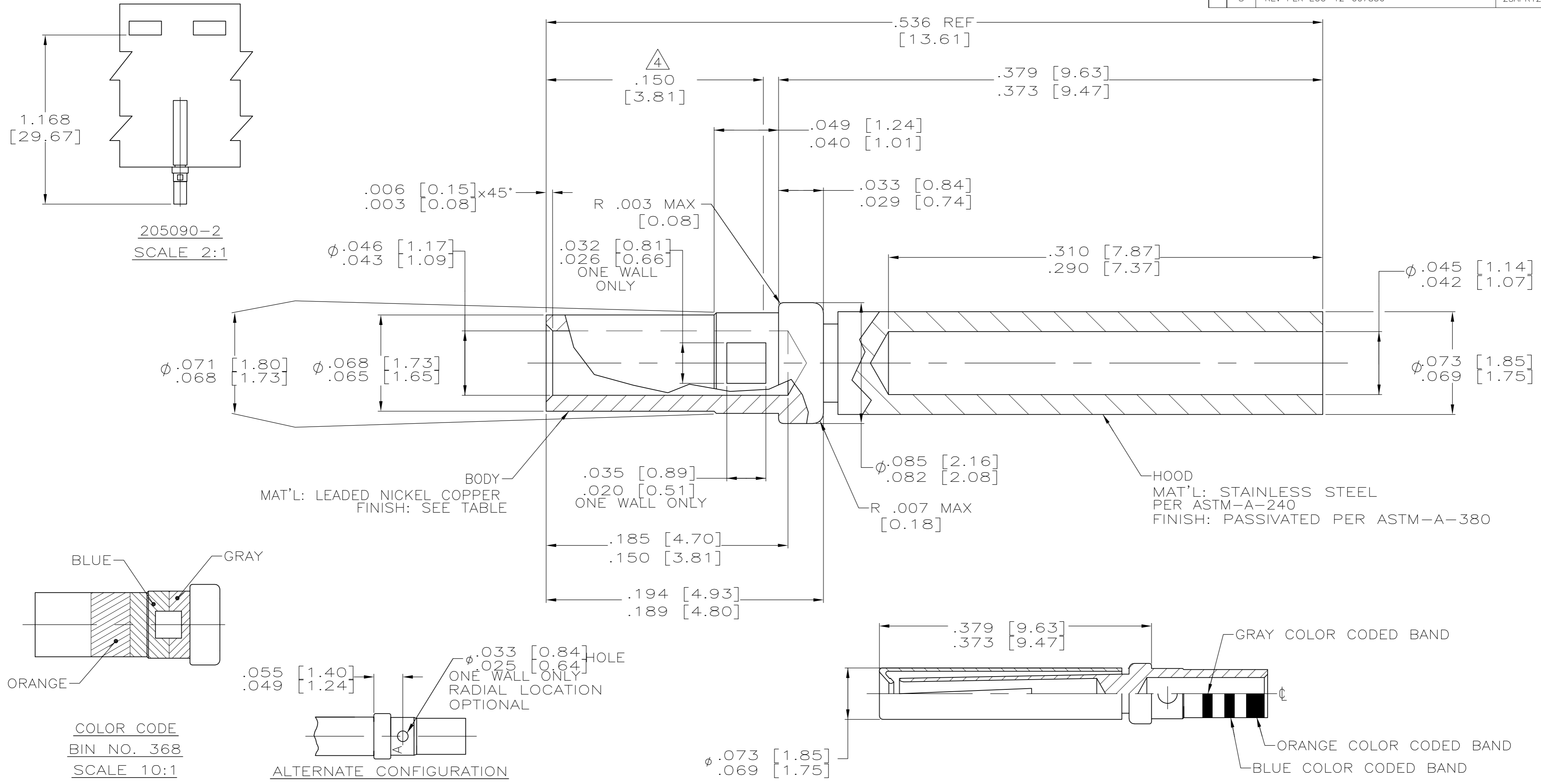
Tel: +86-755-8981 8866 Fax: +86-755-8427 6832

Email & Skype: info@chipsmall.com Web: www.chipsmall.com

Address: A1208, Overseas Decoration Building, #122 Zhenhua RD., Futian, Shenzhen, China



LOC		DIST		REVISIONS			
P	LTR	DESCRIPTION	DATE	DWN	APVD		
DF	DO	S	REV PER ECO-12-007856	25APR12	PY	RL	



- ALL DIMENSIONS APPLY AFTER PLATING.
- THIS DRAWING COMPLIES WITH SPECIFICATION MIL-C-39029/63 AND M24308/10-1.
- ALL DIAMETERS CONCENTRIC WITH EACH OTHER WITHIN .004 T.I.R.
- POINT OF PLATING MEASUREMENT .150 [3.81] FROM WIRE BARREL END OF CONTACT.
- ALL SURFACES HAVE  $\sqrt{63}$  OR BETTER FINISH.
- GOLD PLATED PER ASTM-B-488 TYPE 2, GRADE C, CLASS 1.25 OVER NICKEL PER QQ-N-290 IN MATING AREAS. GOLD PLATED PER ASTM-B-488 OVER NICKEL PER QQ-N-290 IN NON MATING AREAS.
- GOLD PLATED PER ASTM-B-488 TYPE 3, GRADE C, CLASS .75 OVER NICKEL PER QQ-N-290.
- SLEEVE MAY BE CRIMPED, DIMPLED OR PRESS FIT TO BODY
- MANUFACTURER'S LOGO ("A" OR "- . .") LOCATION OPTIONAL.

SUPERSEDED BY 1218267-3	NO	$\nabla$	LOOSE PIECE	205090-7
	YES	$\nabla$	TAPE MOUNTED	205090-2
	YES	$\nabla$	LOOSE PIECE	205090-1
COLOR CODE	FINISH	DESCRIPTION	PART NUMBER	

THIS DRAWING IS A CONTROLLED DOCUMENT.		DWN	C.C.THOMAS	8-17-04	TE Connectivity
DIMENSIONS: INCHES		CHK	D.MILLER	8-17-04	
TOLERANCES UNLESS OTHERWISE SPECIFIED:		APVD	D.MILLER	8-17-04	
0 PLC ± - 1 PLC ± - 2 PLC ± - 3 PLC ± .005 [0.13] 4 PLC ± - ANGLES ± -		PRODUCT SPEC	NAME		
MATERIAL: SEE CALLOUTS		FINISH	SEE CALLOUTS		CONTACT ASSY, SOCKET, SIZE 20, AMPLIMITE
CUSTOMER DRAWING		WEIGHT	-		SIZE: A2 CAGE CODE: 00779 DRAWING NO: C=205090
SCALE: 20:1		SHEET	1 OF 1		RESTRICTED TO: -