



Chipsmall Limited consists of a professional team with an average of over 10 year of expertise in the distribution of electronic components. Based in Hongkong, we have already established firm and mutual-benefit business relationships with customers from,Europe,America and south Asia,supplying obsolete and hard-to-find components to meet their specific needs.

With the principle of “Quality Parts,Customers Priority,Honest Operation,and Considerate Service”,our business mainly focus on the distribution of electronic components. Line cards we deal with include Microchip,ALPS,ROHM,Xilinx,Pulse,ON,Everlight and Freescale. Main products comprise IC,Modules,Potentiometer,IC Socket,Relay,Connector.Our parts cover such applications as commercial,industrial, and automotives areas.

We are looking forward to setting up business relationship with you and hope to provide you with the best service and solution. Let us make a better world for our industry!



Contact us

Tel: +86-755-8981 8866 Fax: +86-755-8427 6832

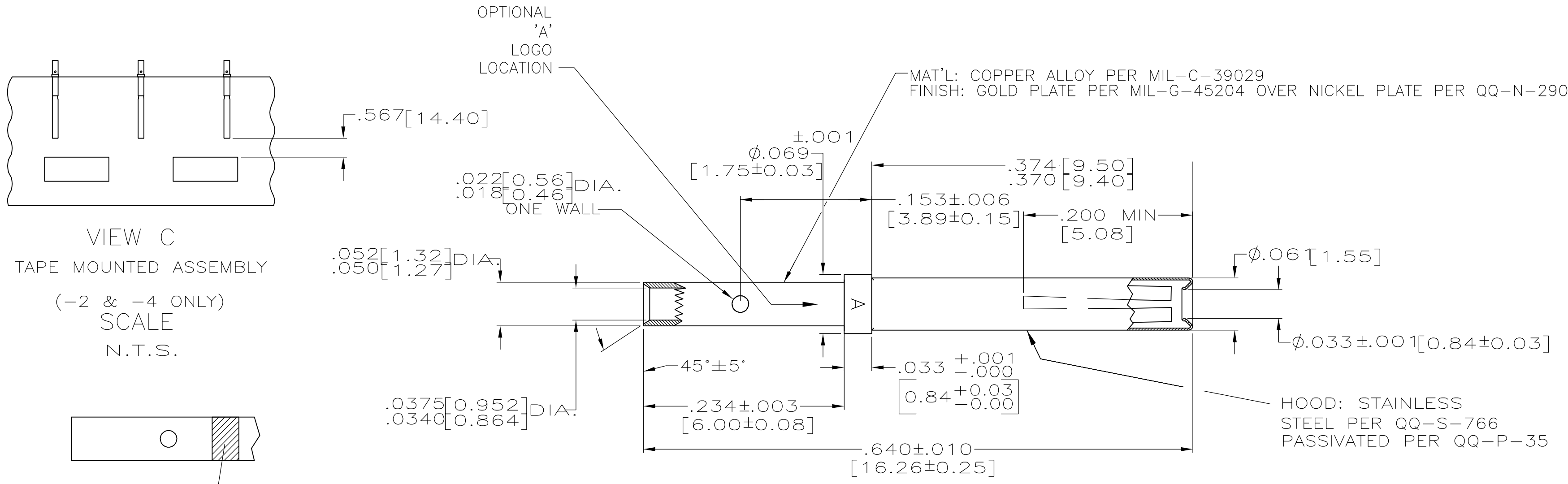
Email & Skype: info@chipsmall.com Web: www.chipsmall.com

Address: A1208, Overseas Decoration Building, #122 Zhenhua RD., Futian, Shenzhen, China



THIS DRAWING IS UNPUBLISHED. RELEASED FOR PUBLICATION
 © COPYRIGHT BY TYCO ELECTRONICS CORPORATION. ALL RIGHTS RESERVED.

| LOC | DIST | REVISIONS | | | | | |
|-----|------|-----------|-----|----------------------|---------|-----|------|
| DF | A0 | P | LTR | DESCRIPTION | DATE | DWN | APVD |
| | | V | | REV PER OH14-0144-04 | 8-10-05 | VF | CT |



| | | |
|----------|--------------|----------|
| OBSOLETE | ----- | 205103-8 |
| | SEE VIEW D | 205103-7 |
| OBSOLETE | ----- | 205103-6 |
| OBSOLETE | ----- | 205103-5 |
| | SEE VIEW B+C | 205103-4 |
| | SEE VIEW B | 205103-3 |
| OBSOLETE | ----- | 205103-2 |
| | SEE VIEW A | 205103-1 |
| | REMARKS | PART NO. |

VIEW D
 COLOR CODE
 (-7 ONLY)
 RED

BROWN
 YELLOW
 GRAY
 VIEW B
 COLOR CODE
 (-3 -4 ONLY)

VIEW C
 TAPE MOUNTED ASSEMBLY
 (-2 & -4 ONLY)
 SCALE
 N.T.S.

VIEW A

| | | | | |
|----------------------------------------|--|--------------------------------|-----------------------------------------------------------|--------------------|
| THIS DRAWING IS A CONTROLLED DOCUMENT. | | DWN JESSE BAKER 08-04-92 | Tyco Electronics Corporation Harrisburg, Pa 17105-3608 | |
| DIMENSIONS: INCHES | | CHK ALEX SHARPE 09-16-92 | AMP | |
| TOLERANCES UNLESS OTHERWISE SPECIFIED: | | APVD - | ASSEMBLY, SOCKET, SIZE 22 ARINC404, REAR RELEASE | |
| 0 PLC ± - | | PRODUCT SPEC - | SIZE A2 | CAGE CODE 00779 |
| 1 PLC ± - | | APPLICATION SPEC - | DRAWING NO C=205103 | RESTRICTED TO - |
| 2 PLC ± - | | WEIGHT - | SCALE 10:1 | SHEET 1 OF 1 |
| 3 PLC ± .005 [0.13] | | CUSTOMER DRAWING | REV V | |
| 4 PLC ± - | | | | |
| ANGLES ± - | | | | |
| FINISH SEE CALLOUTS | | | | |