



Chipsmall Limited consists of a professional team with an average of over 10 year of expertise in the distribution of electronic components. Based in Hongkong, we have already established firm and mutual-benefit business relationships with customers from,Europe,America and south Asia,supplying obsolete and hard-to-find components to meet their specific needs.

With the principle of “Quality Parts,Customers Priority,Honest Operation,and Considerate Service”,our business mainly focus on the distribution of electronic components. Line cards we deal with include Microchip,ALPS,ROHM,Xilinx,Pulse,ON,Everlight and Freescale. Main products comprise IC,Modules,Potentiometer,IC Socket,Relay,Connector.Our parts cover such applications as commercial,industrial, and automotives areas.

We are looking forward to setting up business relationship with you and hope to provide you with the best service and solution. Let us make a better world for our industry!



## Contact us

Tel: +86-755-8981 8866 Fax: +86-755-8427 6832

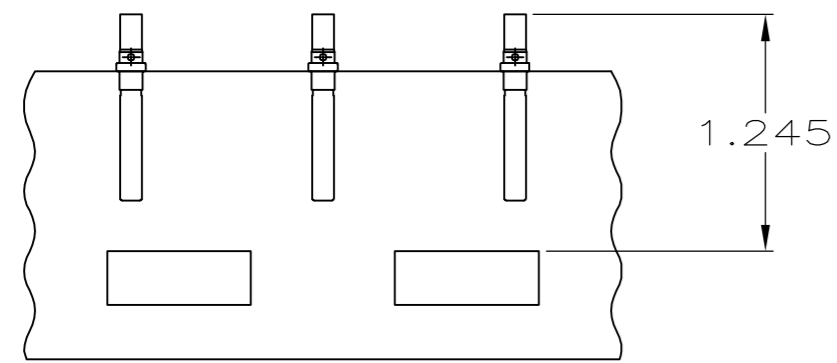
Email & Skype: info@chipsmall.com Web: www.chipsmall.com

Address: A1208, Overseas Decoration Building, #122 Zhenhua RD., Futian, Shenzhen, China



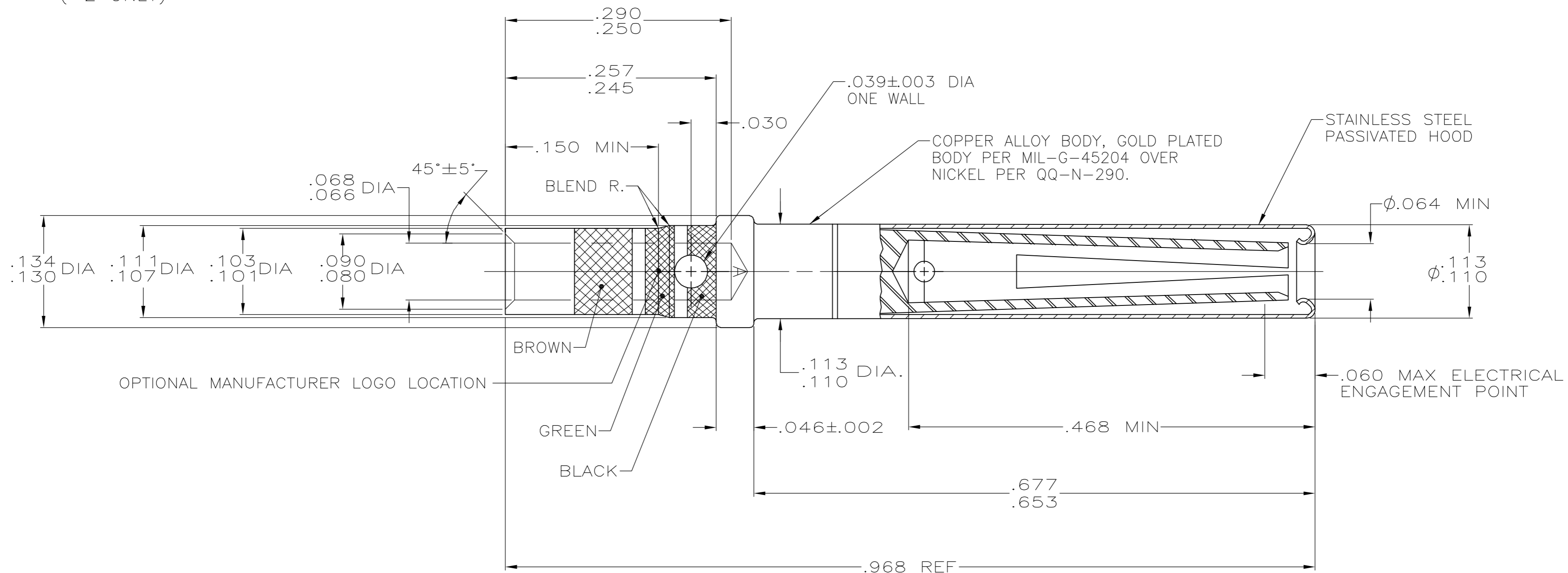
THIS DRAWING IS UNPUBLISHED. RELEASED FOR PUBLICATION  
 © COPYRIGHT BY TYCO ELECTRONICS CORPORATION. ALL RIGHTS RESERVED.

LOC	DIST	REVISIONS					
DF	A0	P	LTR	DESCRIPTION	DATE	DWN	APVD
		L		REV PER EC 0H14-0154-04	24JAN06	TK	CT



TAPE MOUNTED ASSEMBLY (-2 ONLY)

- 205117-1 1. AS SHOWN
- 205117-2 1. SAME AS -1 EXCEPT: MOUNTED ON MYLAR TAPE.
- 205117-3 1. SAME AS -1 EXCEPT: COLOR CODE TO BE SINGLE BLUE BAND.



1. WHEN ORDERING CONTACT ON TAPE, ORDER BY THE TAPE NUMBER PLUS THE PACKAGING CODE AS FOLLOWS:
  1. FOR USE WITH AMP TAPETRONIC, PNEUMATIC TOOL-
    - A. 1000 PARTS TO A BOX ADD PACKAGING CODE: 1MBOX
  2. FOR USE WITH 4/8 INDENT STRIPPER CRIMPER-
    - A. 1000 PARTS TO A REEL ADD PACKAGING CODE: 1MREEL
    - B. 5000 PARTS TO A REEL ADD PACKAGING CODE: 5MREEL
2. POINT OF PLATING THICKNESS MEASUREMENT .100/.150 FROM WIRE BARREL END EXTERIOR.

THIS DRAWING IS A CONTROLLED DOCUMENT.		DWN	J.LINDERMAN	3-24-93	 Tyco Electronics Corporation Harrisburg, PA 17105-3608
DIMENSIONS: INCHES		CHK	A.SHARPE	3-26-93	
TOLERANCES UNLESS OTHERWISE SPECIFIED:		APVD	-	-	NAME
0 PLC ± - 1 PLC ± - 2 PLC ± - 3 PLC ± .005 4 PLC ± - ANGLES ± - FINISH -		PRODUCT SPEC	CONTACT ASS'Y #16 SOCKET ARINC 404 REAR RELEASE		
MATERIAL		APPLICATION SPEC	-		
-		WEIGHT	-		
-		CUSTOMER DRAWING	SCALE	10:1	SHEET 1 of 1
-		RESTRICTED TO	-		
-		SIZE	A2	CAGE CODE	00779
-		DRAWING NO	C=205117		
-		REV	L		

CUSTOMER DRAWING