



Chipsmall Limited consists of a professional team with an average of over 10 year of expertise in the distribution of electronic components. Based in Hongkong, we have already established firm and mutual-benefit business relationships with customers from,Europe,America and south Asia,supplying obsolete and hard-to-find components to meet their specific needs.

With the principle of “Quality Parts,Customers Priority,Honest Operation,and Considerate Service”,our business mainly focus on the distribution of electronic components. Line cards we deal with include Microchip,ALPS,ROHM,Xilinx,Pulse,ON,Everlight and Freescale. Main products comprise IC,Modules,Potentiometer,IC Socket,Relay,Connector.Our parts cover such applications as commercial,industrial, and automotives areas.

We are looking forward to setting up business relationship with you and hope to provide you with the best service and solution. Let us make a better world for our industry!



## Contact us

Tel: +86-755-8981 8866 Fax: +86-755-8427 6832

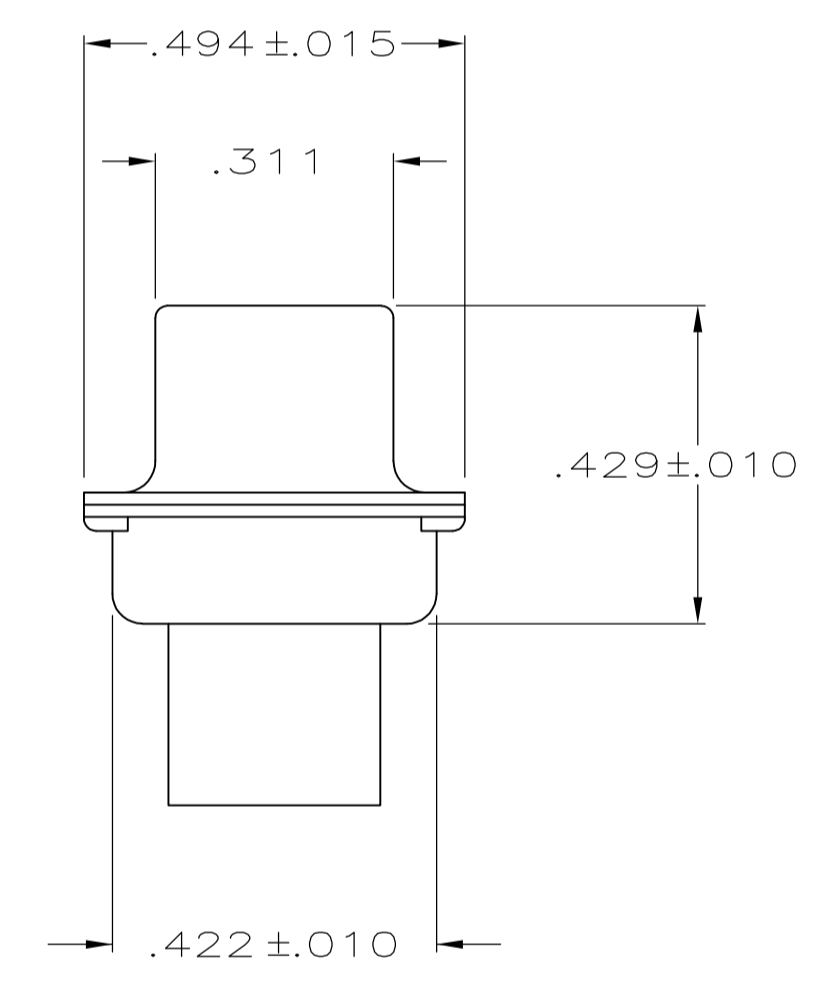
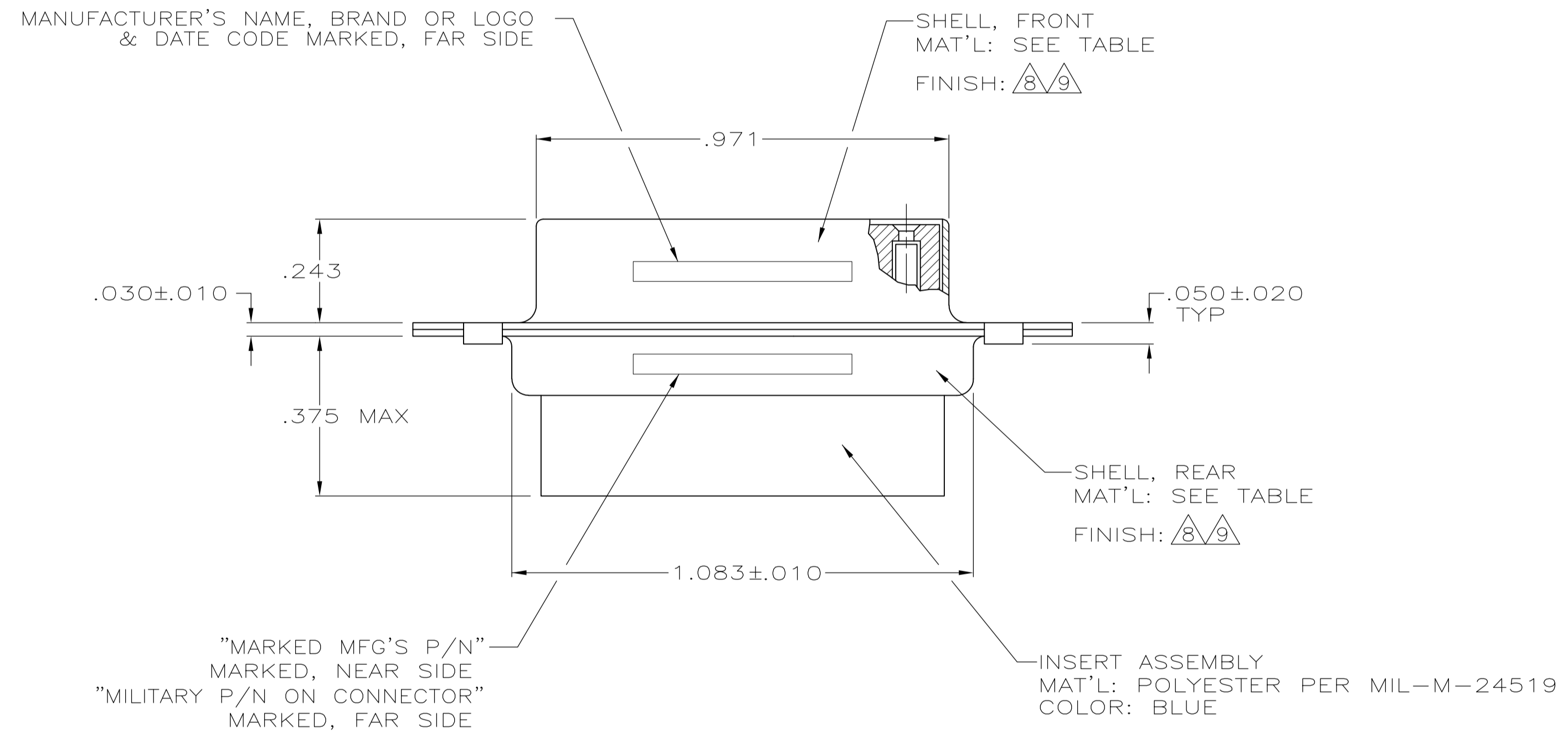
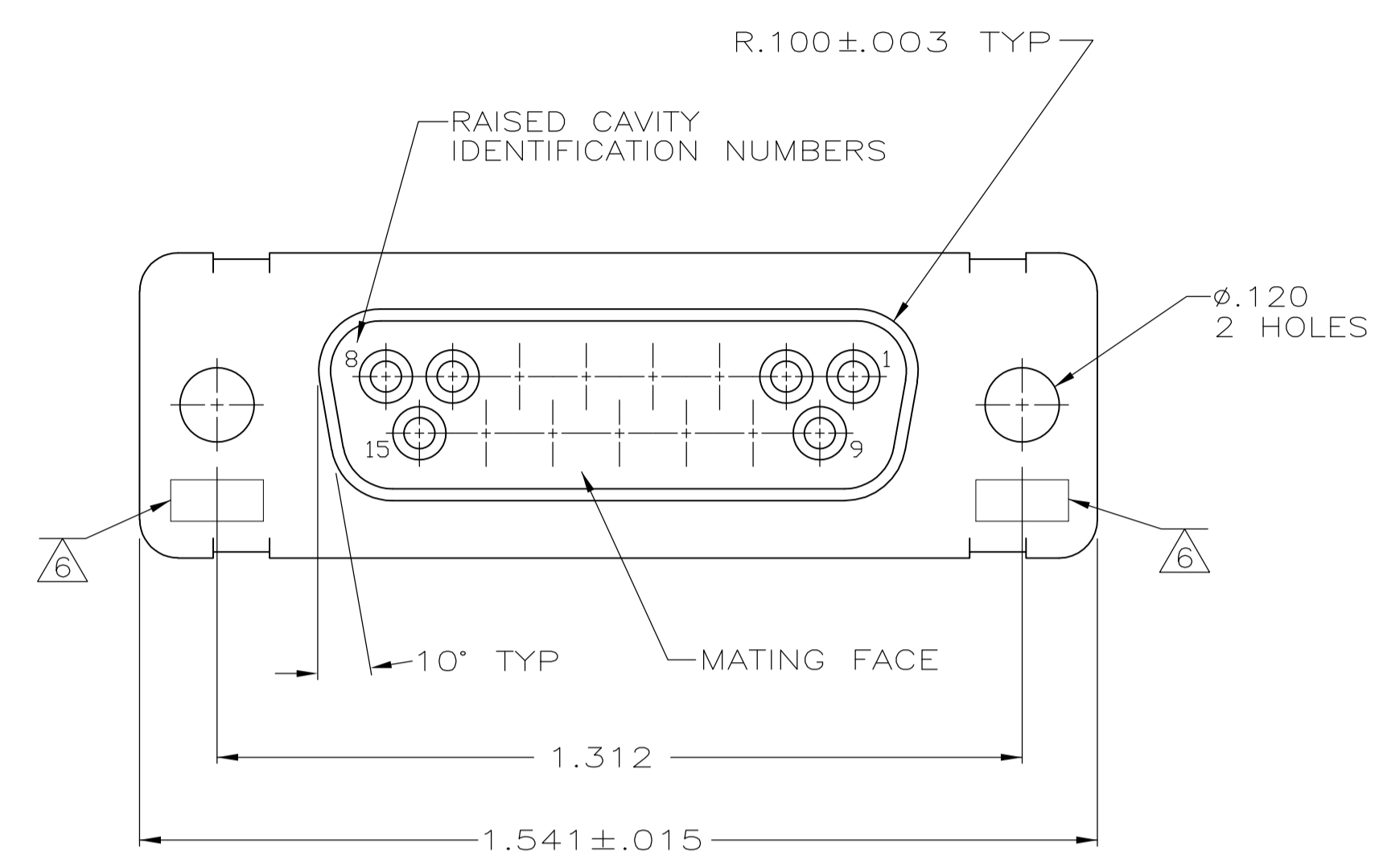
Email & Skype: info@chipsmall.com Web: www.chipsmall.com

Address: A1208, Overseas Decoration Building, #122 Zhenhua RD., Futian, Shenzhen, China



LOC	DIST	REVISIONS					
DF	DO	P	LTR	DESCRIPTION	DATE	DWN	APVD
		N	REV PER	ECO-08-030008	22JAN2009	PK	RL

- THIS RCPT. IS DESIGNED TO CONFORM TO THE LATEST ISSUE OF MIL-C-24308.
  - MAX WIRE INSUL TO BE USED WITH THIS RCPT IS .068 DIA.
  - STAINLESS STEEL RETENTION CLIPS ARE INCLUDED IN INSERTS.
  - THIS RCPT. WILL ACCEPT SIZE 20 SOCKET CONTACT M39029/63-368 OR ANY TYCO HD-20 SOCKET CONTACT CONTACTS ORDERED SEPARATELY.
- ⑤ MFG'S PART NO. MARKED ON CONNECTOR REPRESENTS KIT NUMBER WITH CONTACTS.
  - ⑥ UL/CSA DESIGNATION STAMPED IN THIS AREA, OPTIONAL.
  - ⑦ RESTRICTED ITAR ASSEMBLY.
  - ⑧ CADMIUM PER QQ-P-416.
  - ⑨ BRIGHT TIN PER ASTM-B-545 .000400-.000550 THK OVER COPPER PER AMS2418 .000050 MIN THK.



205163-5	-	-	-	⑨	STEEL PER ASTM-A-109	205163-5
-	-	-	⑦	-	-	205163-4
SUPSD BY 205187-1	-	-	-	-	STEEL PER ASTM-A-109	205163-3
SUPSD BY 206799-2	-	-	-	-	BRASS	205163-2
205557-2	M24308/2-282F	M24308/2-2F	⑤	⑧	STEEL PER ASTM-A-109	205163-1
MFG'S P/N MARKED ON CONNECTOR	MILITARY P/N ON PACKAGE	MILITARY P/N ON CONNECTOR	REMARKS	SHELL FINISH	SHELL MAT'L	PART NO.

THIS DRAWING IS A CONTROLLED DOCUMENT.

DIMENSIONS: INCHES	TOLERANCES UNLESS OTHERWISE SPECIFIED:	DIN C.C.THOMAS 12-DEC-87	Tyco Electronics Corporation Harrisburg, Pa 17105-3608
0 PLC ± -	1 PLC ± -	10-DEC-87	
2 PLC ± -	3 PLC ± .005	10-DEC-87	AMPLIMITE RCPT FOR SOCKET CONTACTS HI-DENSITY HD-20 CONNECTOR SIZE 2 (15 POSN) SERIES 109
4 PLC ± -	ANGLES ± 0°30'		SIZE: A1 00779 C=205163
MATERIAL SEE CALLOUTS	FINISH SEE CALLOUTS	WEIGHT: -	RESTRICTED TO: -
CUSTOMER DRAWING		SCALE: 4:1	SHEET 1 OF 1 REV N