



Chipsmall Limited consists of a professional team with an average of over 10 year of expertise in the distribution of electronic components. Based in Hongkong, we have already established firm and mutual-benefit business relationships with customers from,Europe,America and south Asia,supplying obsolete and hard-to-find components to meet their specific needs.

With the principle of “Quality Parts,Customers Priority,Honest Operation,and Considerate Service”,our business mainly focus on the distribution of electronic components. Line cards we deal with include Microchip,ALPS,ROHM,Xilinx,Pulse,ON,Everlight and Freescale. Main products comprise IC,Modules,Potentiometer,IC Socket,Relay,Connector.Our parts cover such applications as commercial,industrial, and automotives areas.

We are looking forward to setting up business relationship with you and hope to provide you with the best service and solution. Let us make a better world for our industry!



Contact us

Tel: +86-755-8981 8866 Fax: +86-755-8427 6832

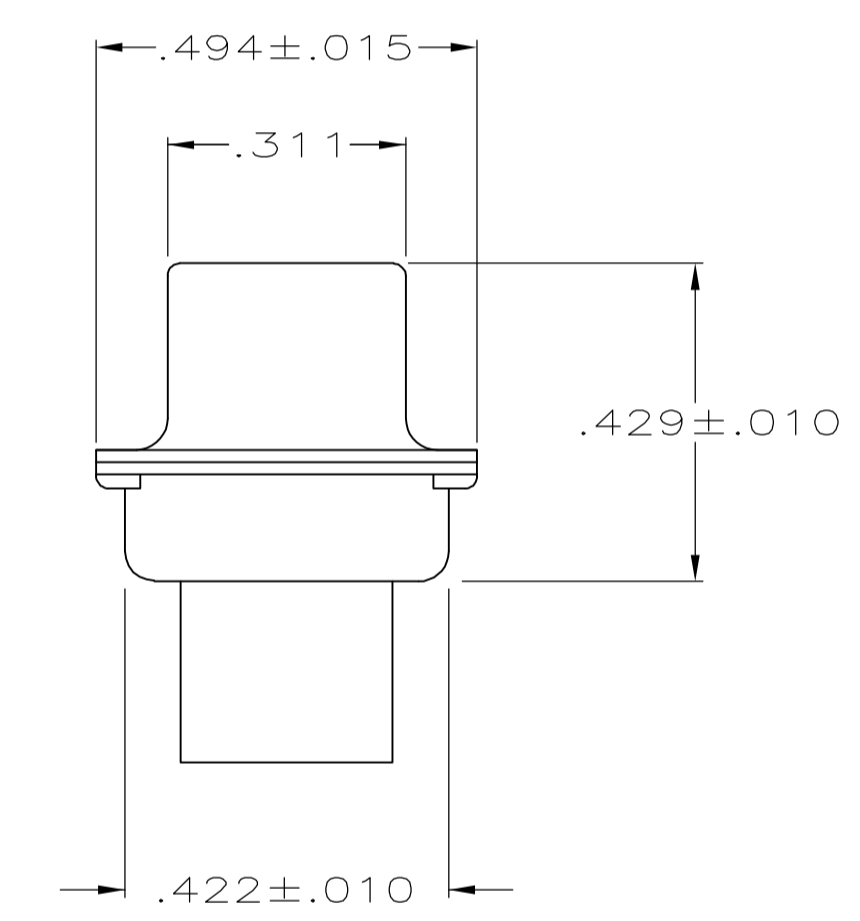
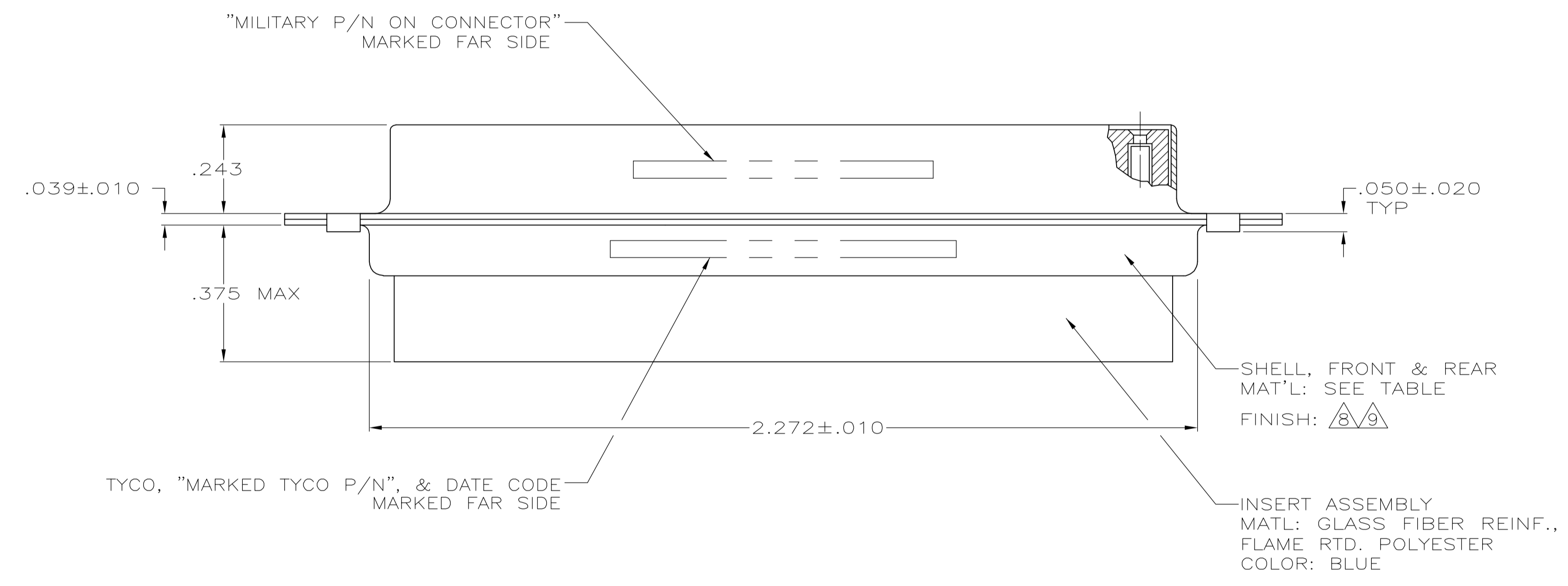
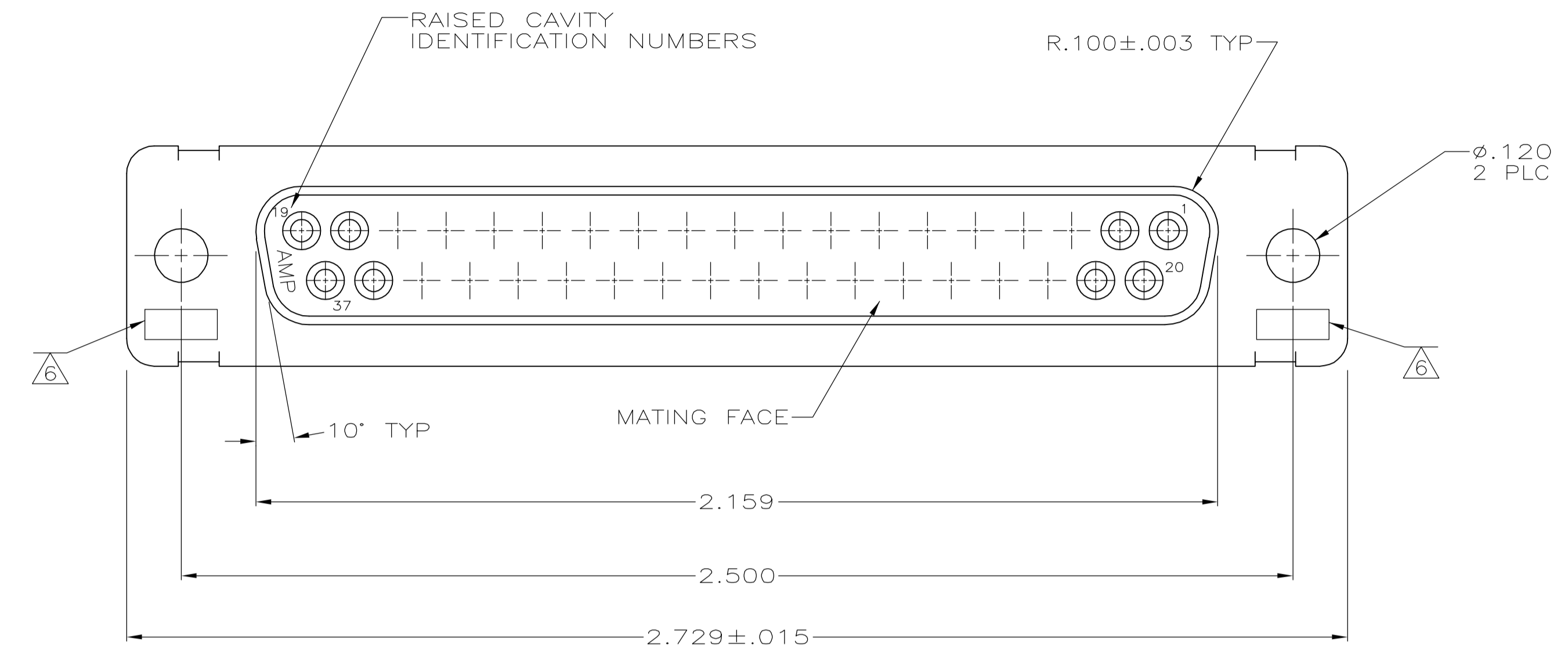
Email & Skype: info@chipsmall.com Web: www.chipsmall.com

Address: A1208, Overseas Decoration Building, #122 Zhenhua RD., Futian, Shenzhen, China



LOC		DIST		REVISIONS			
DF	DO	REV	DESCRIPTION	DATE	BY	APPV	
P		1	REV PER ECO-05-002792	05-05	AA	DM	

1. THIS RCPT. IS DESIGNED TO CONFORM TO THE LATEST ISSUE OF MIL-C-24308.
 2. MAX WIRE INSUL TO BE USED WITH THIS RCPT IS .068 DIA.
 3. STAINLESS STEEL RETENTION CLIPS ARE INCLUDED IN INSERTS.
 4. THIS RCPT. WILL ACCEPT SIZE 20 SOCKET CONTACT M39029/63-368 OR ANY TYCO HD-20 SOCKET CONTACT. CONTACTS ORDERED SEPARATELY.
- 5 TYCO PART NO. MARKED ON CONNECTOR REPRESENTS KIT NUMBER WITH CONTACTS.
 6 UL/CSA DESIGNATION STAMPED IN THIS AREA, OPTIONAL.
 7 RESTRICTED ITAR DRAWING.
 8 FINISH: CADMIUM PER QQ-P-416.
 9 FINISH: BRIGHT TIN PER ASTM-B-545 .000400-.000550 THK OVER COPPER PER AMS2418 .000050 MIN THK.



-	-	9	STEEL PER ASTM-A-109	-	205167-5	205167-5
-	7	-	-	-	-	205167-4
SUPSD BY 205291-1	-	8	STEEL PER ASTM-A-109	-	205167-3	205167-3
SUPSD BY 206803-2	-	-	BRASS	M24308/6-4F	205561-4	205167-2
M24308/2-284F	5	8	STEEL PER ASTM-A-109	M24308/2-4F	205561-2	205167-1
MILITARY P/N ON PACKAGE	REMARKS	SHELL FINISH	SHELL MAT'L	MARKED MILITARY PART NO.	MARKED TYCO PART NO.	PART NO.

THIS DRAWING IS A CONTROLLED DOCUMENT.

DIMENSIONS: INCHES	TOLERANCES UNLESS OTHERWISE SPECIFIED:	DIN C.C.THOMAS 31-JAN-03	APVD LARRY OH 31-JAN-03	NAME LARRY OH	PRODUCT SPEC	SIZE A1	CAGE CODE 00779	DRAWING NO. 205167	RESTRICTED TO
0 PLC ± -	1 PLC ± -	2 PLC ± -	3 PLC ± .005	4 PLC ± -	ANGLES ± 0.30'	WEIGHT -	SCALE 4:1	SHEET 1 OF 1	REV P

Tyco Electronics Corporation
 Harrisburg, Pa 17105-3608
 RECEPTACLE ASSY
 AMPLIMITE, SIZE 4
 SERIES 109, HD-20
 CUSTOMER DRAWING