



Chipsmall Limited consists of a professional team with an average of over 10 year of expertise in the distribution of electronic components. Based in Hongkong, we have already established firm and mutual-benefit business relationships with customers from,Europe,America and south Asia,supplying obsolete and hard-to-find components to meet their specific needs.

With the principle of “Quality Parts,Customers Priority,Honest Operation,and Considerate Service”,our business mainly focus on the distribution of electronic components. Line cards we deal with include Microchip,ALPS,ROHM,Xilinx,Pulse,ON,Everlight and Freescale. Main products comprise IC,Modules,Potentiometer,IC Socket,Relay,Connector.Our parts cover such applications as commercial,industrial, and automotives areas.

We are looking forward to setting up business relationship with you and hope to provide you with the best service and solution. Let us make a better world for our industry!



Contact us

Tel: +86-755-8981 8866 Fax: +86-755-8427 6832

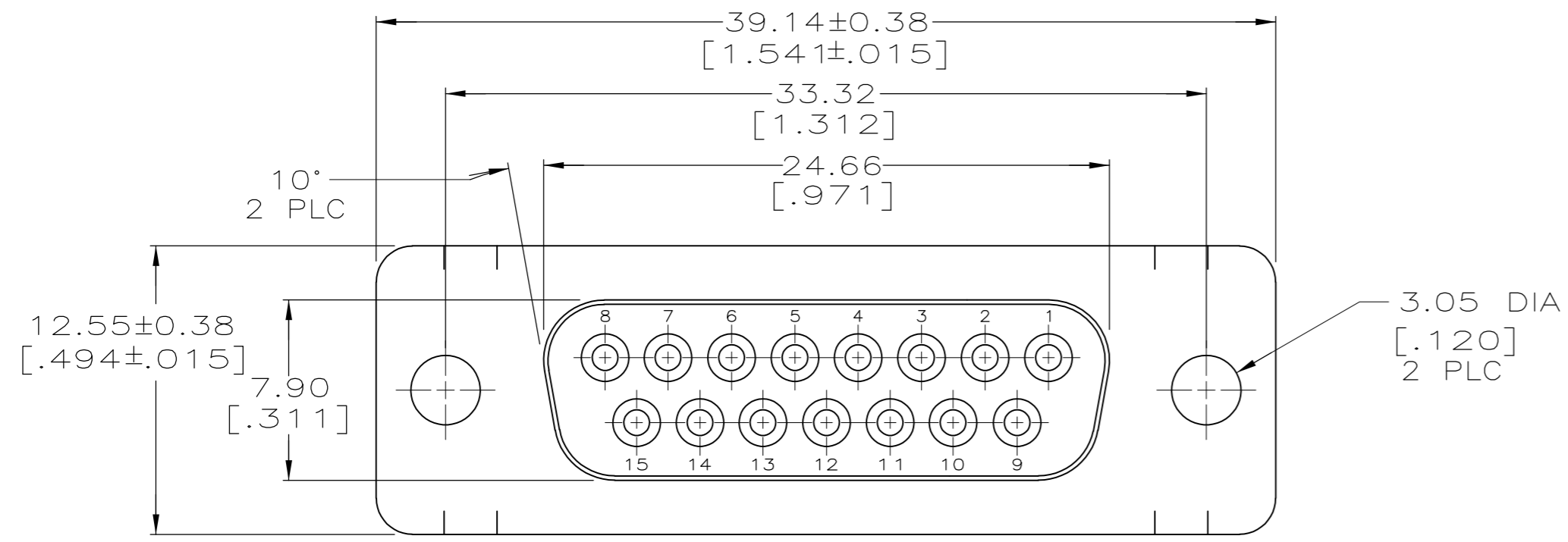
Email & Skype: info@chipsmall.com Web: www.chipsmall.com

Address: A1208, Overseas Decoration Building, #122 Zhenhua RD., Futian, Shenzhen, China

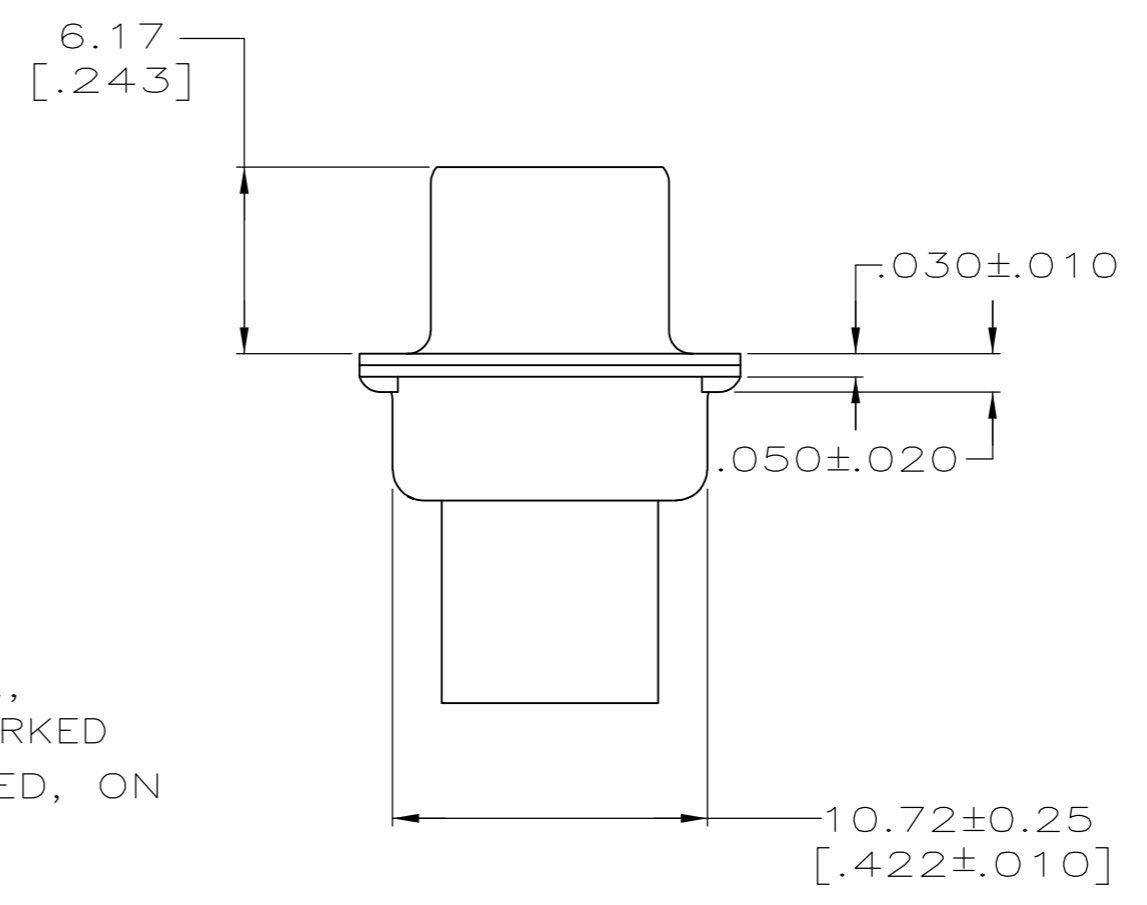
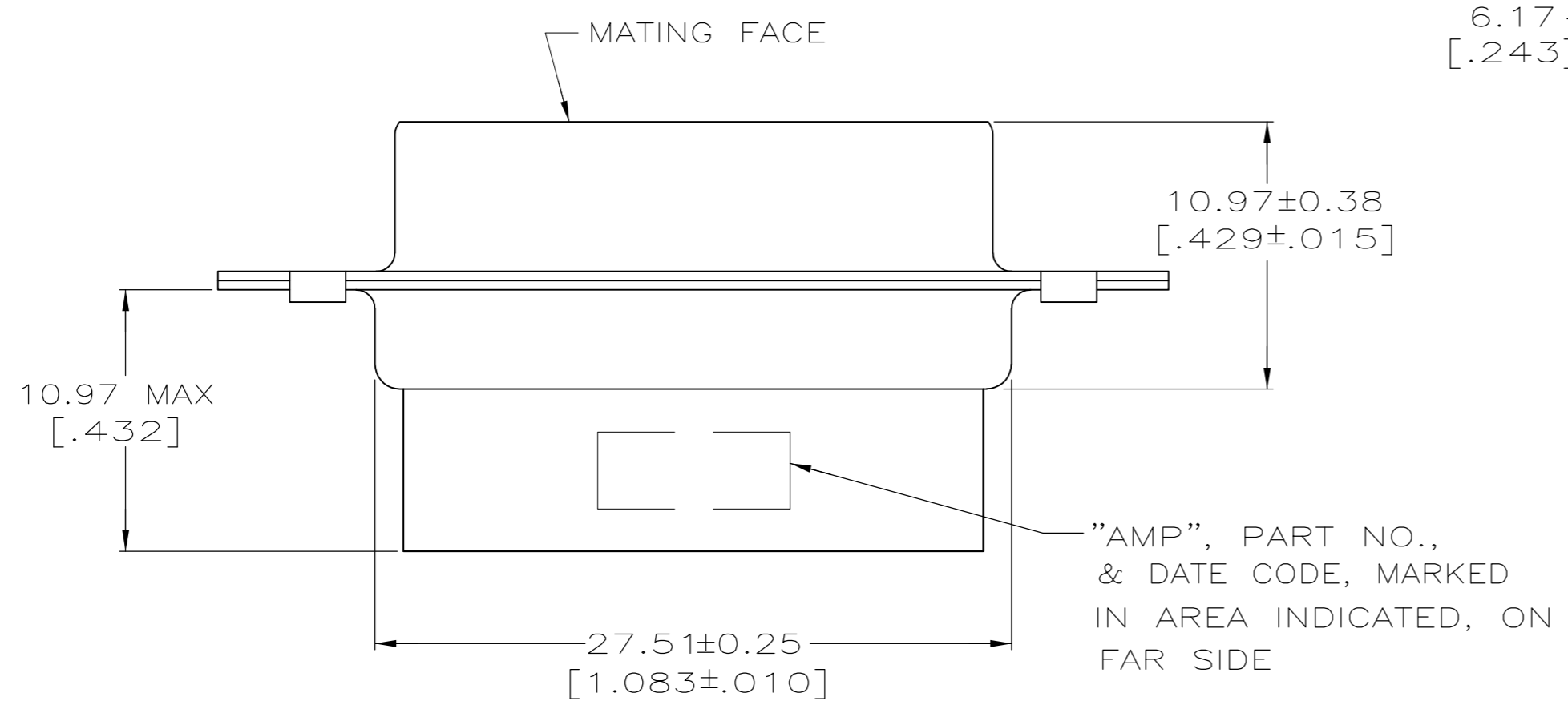


THIS DRAWING IS UNPUBLISHED. RELEASED FOR PUBLICATION
 © COPYRIGHT - By - ALL RIGHTS RESERVED.

| LOC | | DIST | | REVISIONS | | | |
|-----|-----|-------------|---------------------------|-----------|-----|------|--|
| P | LTR | DESCRIPTION | | DATE | DWN | APVD | |
| GP | 00 | J2 | REVISED PER ECO-11-004835 | 11MAR11 | RK | HMR | |



- CONNECTOR ACCEPTS SIZE 20 DF SOCKET CONTACTS, RETENTION TINES ARE AN INTEGRAL PART OF INSERT.
- CONNECTOR COMPLIES WITH 108-40005 WHERE APPLICABLE.
- MOLDED PARTS: NYLON, FLAME RETARDANT, 94V-0 RATED, GLASS FILLED, BLACK.
- SHELLS: STEEL PER ASTM A109.
- ZINC PLATED PER ASTM B633; TYPE II; CLASS SC1; YELLOW CHROMATE.
- TIN PLATED PER MIL-T-10727 OVER COPPER PER MIL-C-14550.
- ZINC PLATED .000200-.000400 THICK, YELLOW TRIVALENT CHROMIUM CHROMATE COATING.



| PACKAGING TYPE | SHELL FINISH | PART NO |
|----------------|--------------|----------|
| STANDARD | 7 | 205205-7 |
| SMALL PACK | 5 | 205205-5 |
| STANDARD | 6 | 205205-2 |
| STANDARD | 5 | 205205-1 |

SUPERSEDED BY 205205-1

OBSOLETE

| | | | | |
|--|--|------------------|-----------|--|
| THIS DRAWING IS A CONTROLLED DOCUMENT. | | DWN | 7-19-85 | TE Connectivity |
| | | CHK | 7-29-85 | |
| | | APVD | 7-31-85 | |
| | | PRODUCT SPEC | | |
| DIMENSIONS: | TOLERANCES UNLESS OTHERWISE SPECIFIED: | NAME | | RCPT CONNECTOR, SIZE 2, 15 POSN, AMPLIMITE, HDP™ |
| INCHES | | SIZE | CAGE CODE | |
| | 0 PLC ± - | A2 | 00779 | DRAWING NO |
| | 1 PLC ± - | SCALE 4:1 | | SHEET 1 of 1 |
| | 2 PLC ± 0.13 [.005] | CUSTOMER DRAWING | | REV J2 |
| | 3 PLC ± - | | | |
| | 4 PLC ± - | | | |
| | ANGLES ± 2° | | | |
| MATERIAL | FINISH | | | |
| SEE NOTES | SHELLS: SEE TABLE | | | |