



Chipsmall Limited consists of a professional team with an average of over 10 year of expertise in the distribution of electronic components. Based in Hongkong, we have already established firm and mutual-benefit business relationships with customers from,Europe,America and south Asia,supplying obsolete and hard-to-find components to meet their specific needs.

With the principle of “Quality Parts,Customers Priority,Honest Operation,and Considerate Service”,our business mainly focus on the distribution of electronic components. Line cards we deal with include Microchip,ALPS,ROHM,Xilinx,Pulse,ON,Everlight and Freescale. Main products comprise IC,Modules,Potentiometer,IC Socket,Relay,Connector.Our parts cover such applications as commercial,industrial, and automotives areas.

We are looking forward to setting up business relationship with you and hope to provide you with the best service and solution. Let us make a better world for our industry!



Contact us

Tel: +86-755-8981 8866 Fax: +86-755-8427 6832

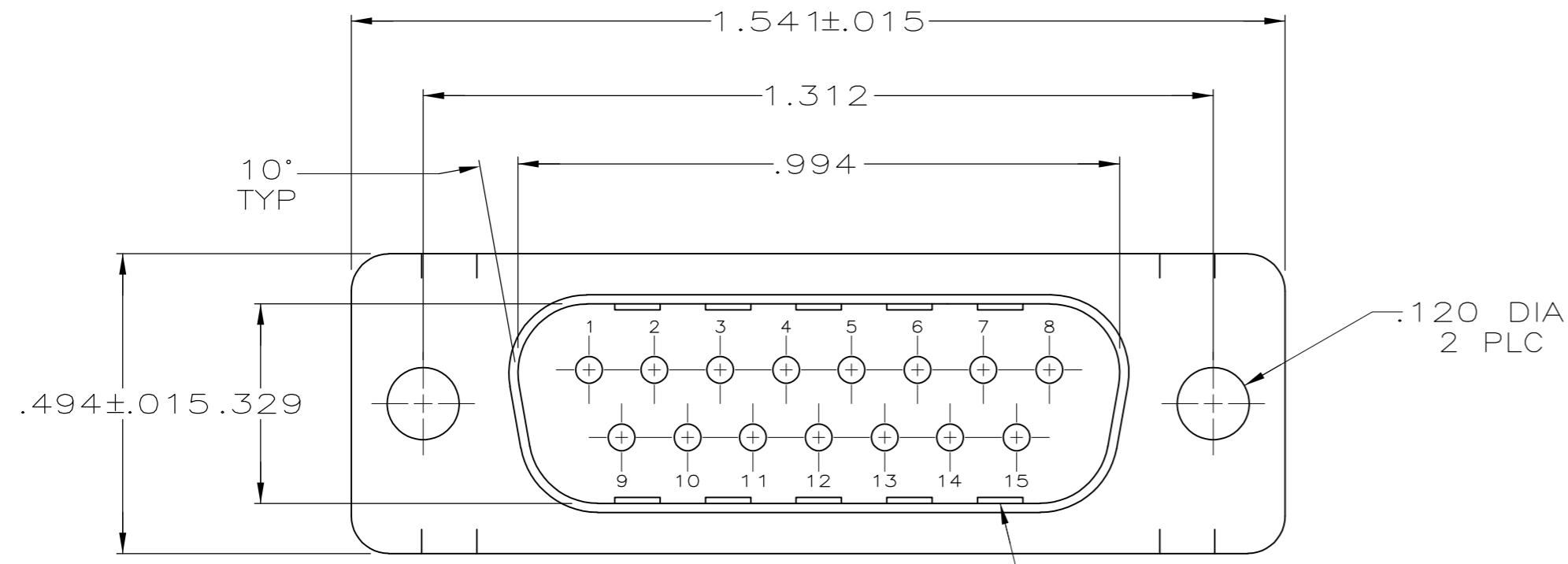
Email & Skype: info@chipsmall.com Web: www.chipsmall.com

Address: A1208, Overseas Decoration Building, #122 Zhenhua RD., Futian, Shenzhen, China

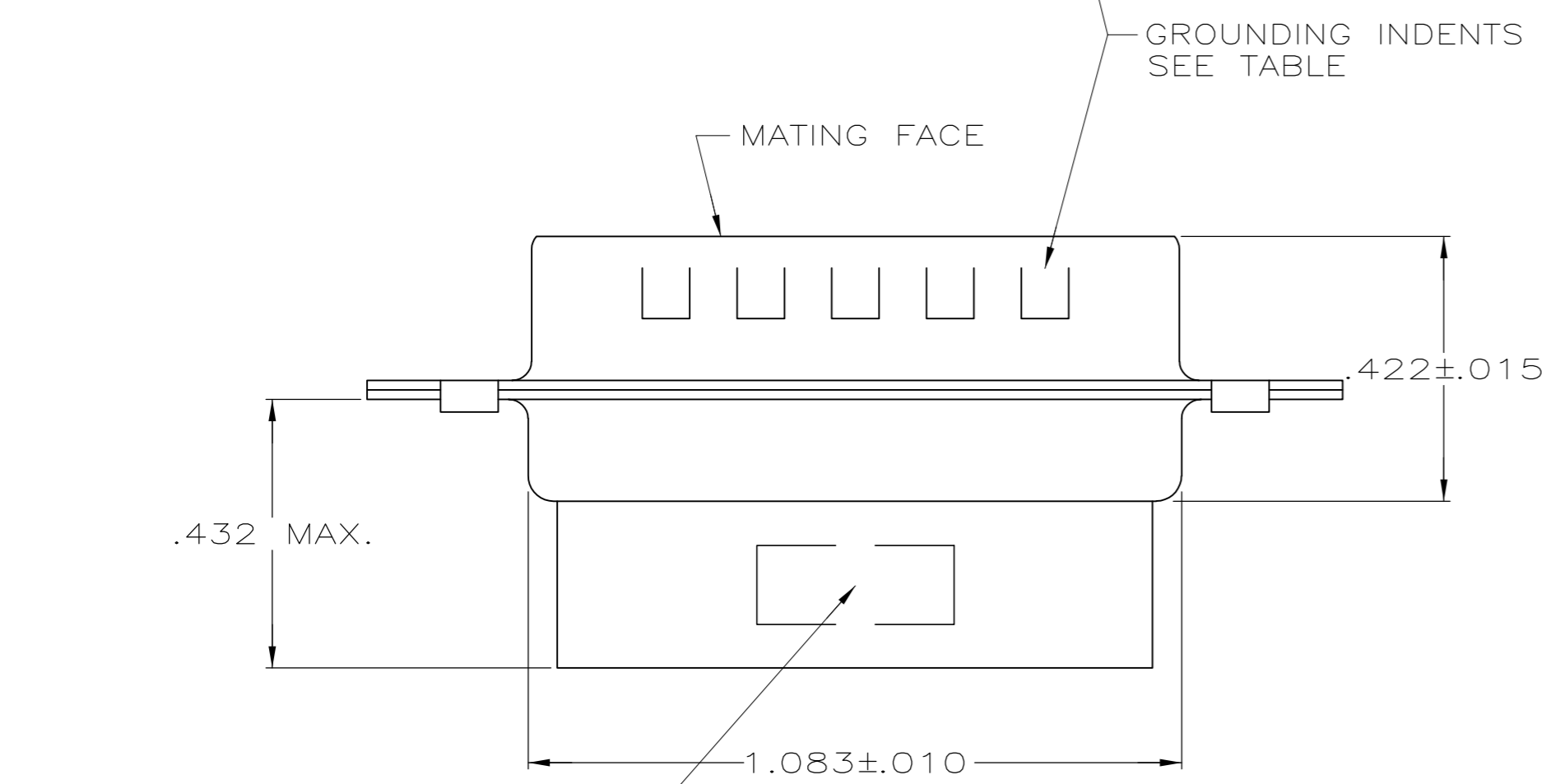


THIS DRAWING IS UNPUBLISHED. RELEASED FOR PUBLICATION
 © COPYRIGHT - By - ALL RIGHTS RESERVED.

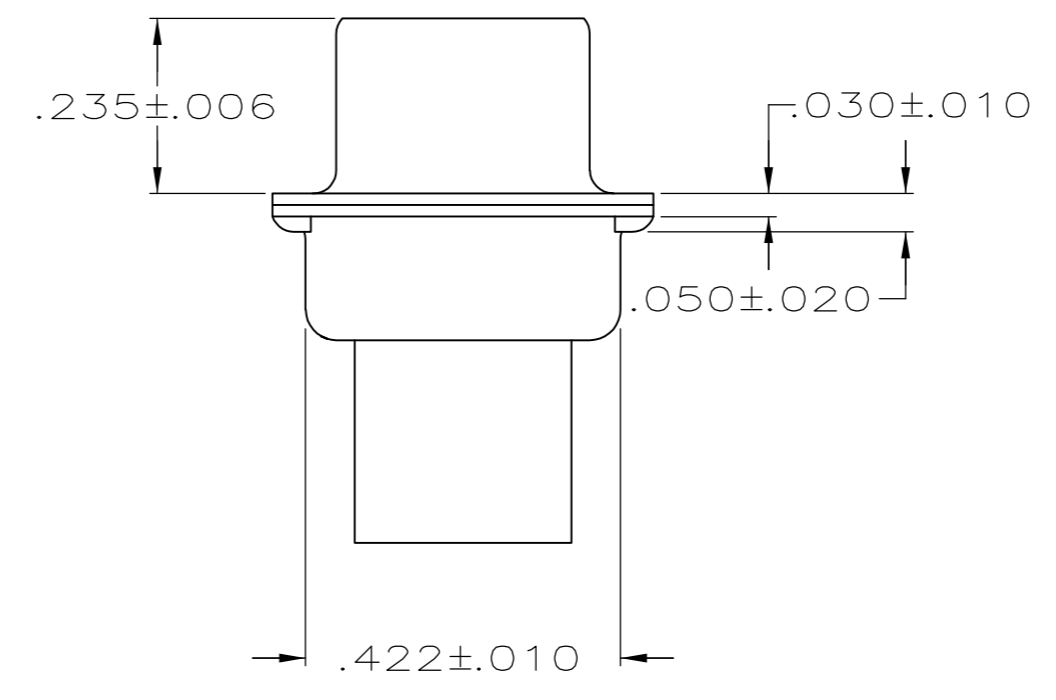
LOC		DIST		REVISIONS			
P	LTR	DESCRIPTION	DATE	DWN	APVD		
GP	00						
	K3	REVISED PER ECO-11-004835	11MAR11	RK	HMR		



- CONNECTOR ACCEPTS SIZE 20 DF PIN CONTACTS, RETENTION TINES ARE AN INTEGRAL PART OF INSERT.
- CONNECTOR COMPLIES WITH 108-40005 WHERE APPLICABLE.
- NYLON, FLAME RETARDANT, 94V-0 RATED, GLASS FILLED, BLACK.
- STEEL PER ASTM A109.
- ZINC PLATED PER ASTM B633; TYPE II; CLASS SC1; YELLOW CHROMATE.
- TIN OR TIN-LEAD PLATED OVER COPPER UNDERPLATE.
- TIN PLATED OVER COPPER UNDERPLATE.
- ZINC PLATED .000200-.000400 THICK, YELLOW TRIVALENT CHROMIUM CHROMATE COATING.



"AMP", PART NO. & DATE CODE, MARKED IN AREA INDICATED, ON FAR SIDE



PACKAGING TYPE	SHELL FINISH	GROUNDING INDENTS	PART NUMBER
STANDARD	8	NO	205206-9
STANDARD	7	NO	205206-8
OBSOLETE SMALL PACK	5	NO	205206-6
STANDARD	7	YES	205206-3
OBSOLETE STANDARD	6	NO	205206-2
OBSOLETE STANDARD	5	NO	205206-1

THIS DRAWING IS A CONTROLLED DOCUMENT.		DWN 7-19-85 S.WELDON	TE TE Connectivity	
DIMENSIONS: INCHES		CHK 7-29-85 J.GERACE		
TOLERANCES UNLESS OTHERWISE SPECIFIED:		APVD 7-31-85 V.KUMAR	NAME	
0 PLC ± -		PRODUCT SPEC	PLUG CONNECTOR, SIZE 2, 15 POSITION, AMPLIMITE HDP	
1 PLC ± -		APPLICATION SPEC	SIZE A2	CAGE CODE 00779
2 PLC ± -		FINISH	DRAWING NO C=205206	RESTRICTED TO
3 PLC ± .005		WEIGHT -	SCALE NTS	SHEET 1 of 1
4 PLC ± -		CUSTOMER DRAWING	REV K3	
ANGLES ± 2°				
MATERIAL MOLDED PARTS: 3	SHELLS: SEE TABLE			
SHELLS: 4				