



Chipsmall Limited consists of a professional team with an average of over 10 year of expertise in the distribution of electronic components. Based in Hongkong, we have already established firm and mutual-benefit business relationships with customers from,Europe,America and south Asia,supplying obsolete and hard-to-find components to meet their specific needs.

With the principle of "Quality Parts,Customers Priority,Honest Operation,and Considerate Service",our business mainly focus on the distribution of electronic components. Line cards we deal with include Microchip,ALPS,ROHM,Xilinx,Pulse,ON,Everlight and Freescale. Main products comprise IC,Modules,Potentiometer,IC Socket,Relay,Connector.Our parts cover such applications as commercial,industrial, and automotives areas.

We are looking forward to setting up business relationship with you and hope to provide you with the best service and solution. Let us make a better world for our industry!



Contact us

Tel: +86-755-8981 8866 Fax: +86-755-8427 6832

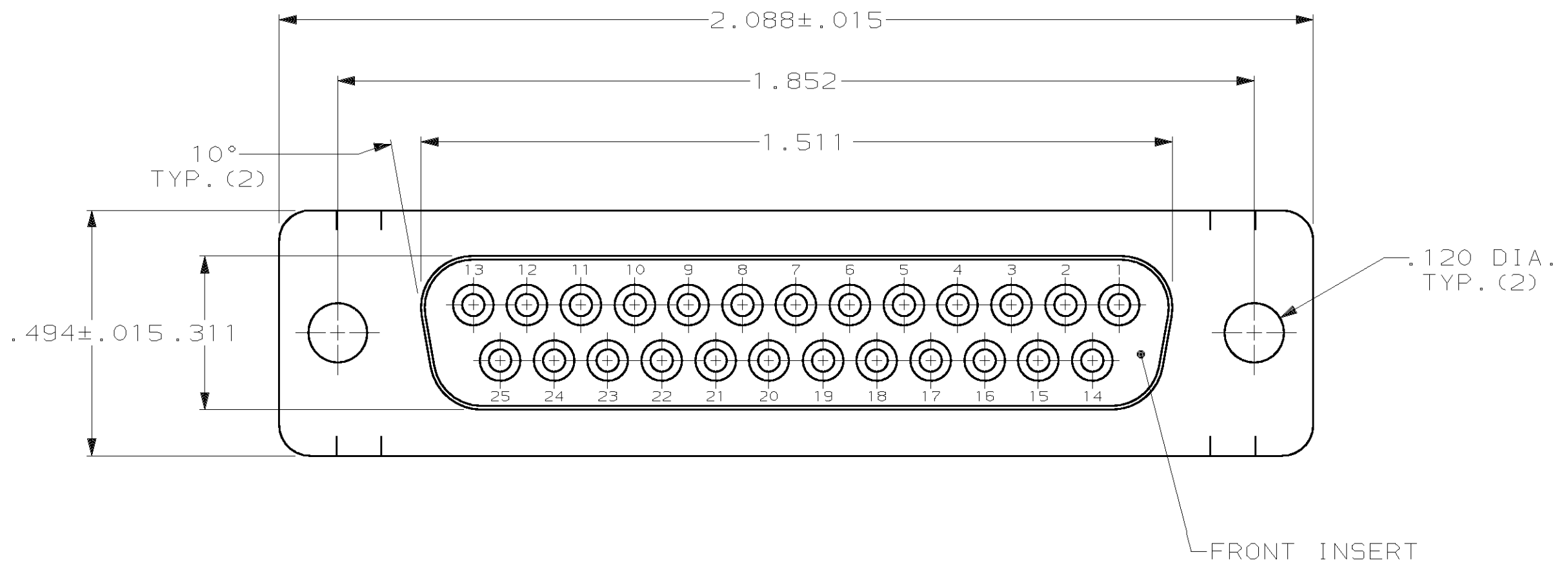
Email & Skype: info@chipsmall.com Web: www.chipsmall.com

Address: A1208, Overseas Decoration Building, #122 Zhenhua RD., Futian, Shenzhen, China

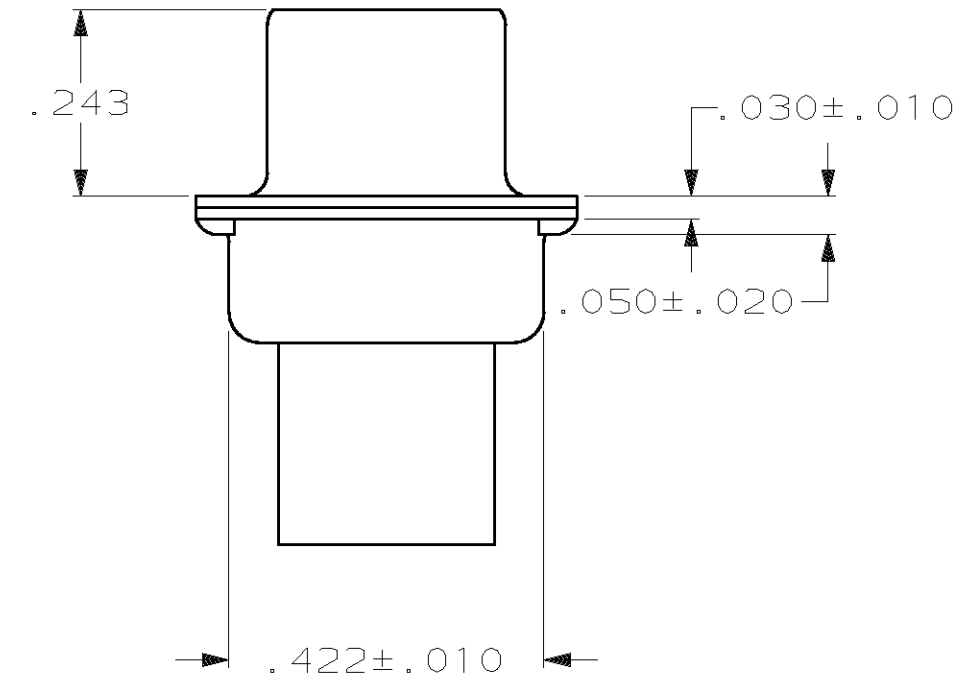
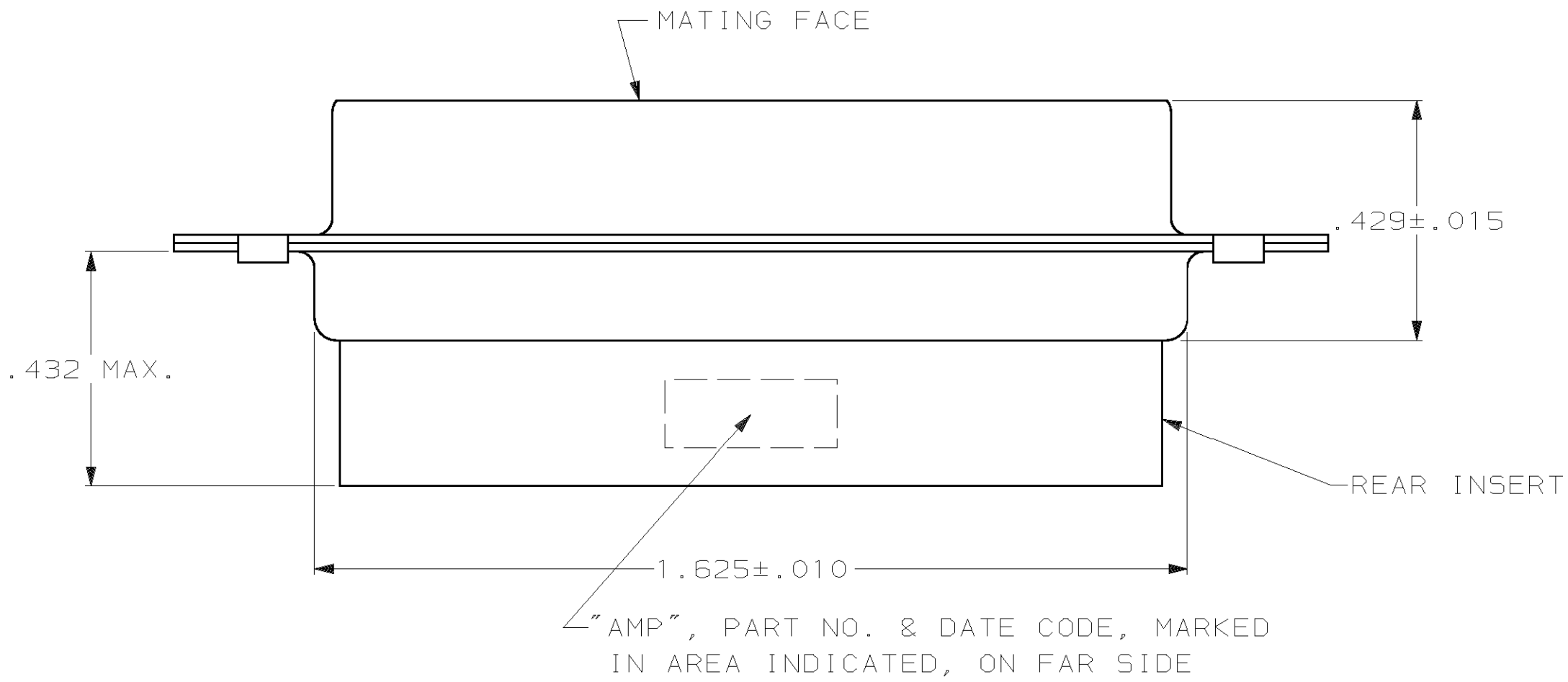


THIS DRAWING IS UNPUBLISHED. RELEASED FOR PUBLICATION ,19 .
 © COPYRIGHT 19 BY AMP INCORPORATED. ALL INTERNATIONAL RIGHTS RESERVED.

LOC		DIST		REVISIONS				
BD	48	P	F	ZONE	LTR	DESCRIPTION	DATE	APPD
					H1	ADDED -4 PER NPR 4837	06/14/93	SB
					J	OBSOLETE -3 AND REV PER EC OU1D-0248-00	27 OCT 00	JK



- CONNECTOR ACCEPTS SIZE 20 DF SOCKET CONTACTS, RETENTION TINES ARE AN INTEGRAL PART OF INSERT.
- CONNECTOR COMPLIES WITH AMP SPEC. 108-40,005 WHERE APPLICABLE.
- FLAME RETARDANT 94V-0 RATED GLASS FILLED NYLON, COLOR: SEE TABLE.
- STEEL PER ASTM A109.
- ZINC PLATED PER ASTM B633; TYPE II; CLASS SC1; YELLOW CHROMATE.



OBSOLETE	SMALL PACK	BLACK	205207-4
	STANDARD	BLUE	205207-3
	STANDARD	BLACK	205207-1
	PACKAGING TYPE	INSERTS COLOR	PART NUMBER

DO NOT SCALE PRINT. UNLESS SPECIFIED DIMENSION IN INCHES. TOLERANCES ON : 2 PLC DEC ± - 3 PLC DEC ± .005 ANGLES ± 2°	DR 7-19-85 5.WELDON CHK 7-19-85 J.GERACE APPD 7-29-85 L.BREKOSKY APPD 7-31-85 V.KUMAR	AMP Incorporated Harrisburg, PA 17105-3608 NAME RECEPTACLE CONNECTOR, SIZE 3, 25 POS., AMPLIMITE™HDP		
MATERIAL INSERTS: SHELLS:	PRODUCT SPEC -			
FINISH SHELLS:	APPLICATION SPEC -	SIZE 	CAGE CODE 00779	DRAWING NO C=205207
	WEIGHT -	SCALE NTS	SHEET 1 OF 1	

THIS DRAWING IS A CONTROLLED DOCUMENT FOR AMP INCORPORATED. IT IS SUBJECT TO CHANGE AND THE CONTROLLING ENGINEERING ORGANIZATION SHOULD BE CONTACTED FOR THE LATEST REVISION.