



Chipsmall Limited consists of a professional team with an average of over 10 year of expertise in the distribution of electronic components. Based in Hongkong, we have already established firm and mutual-benefit business relationships with customers from,Europe,America and south Asia,supplying obsolete and hard-to-find components to meet their specific needs.

With the principle of “Quality Parts,Customers Priority,Honest Operation,and Considerate Service”,our business mainly focus on the distribution of electronic components. Line cards we deal with include Microchip,ALPS,ROHM,Xilinx,Pulse,ON,Everlight and Freescale. Main products comprise IC,Modules,Potentiometer,IC Socket,Relay,Connector.Our parts cover such applications as commercial,industrial, and automotives areas.

We are looking forward to setting up business relationship with you and hope to provide you with the best service and solution. Let us make a better world for our industry!



## Contact us

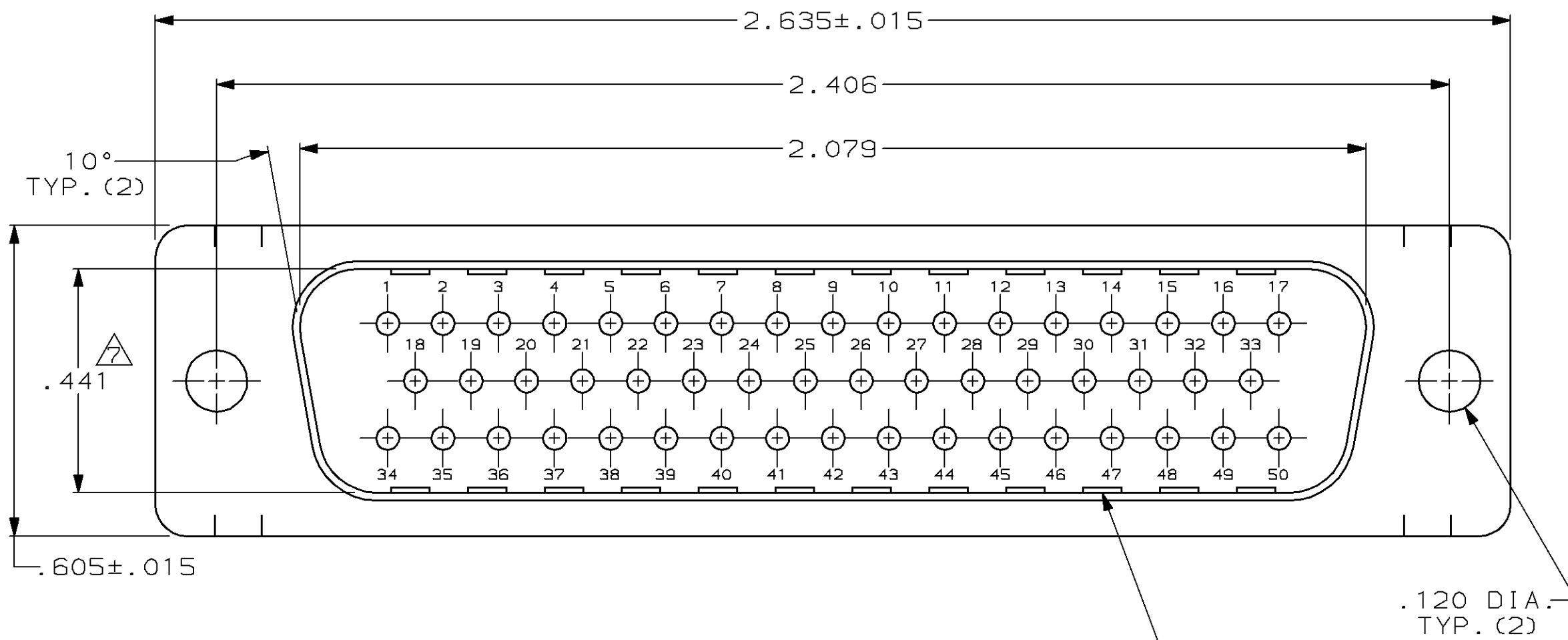
Tel: +86-755-8981 8866 Fax: +86-755-8427 6832

Email & Skype: info@chipsmall.com Web: www.chipsmall.com

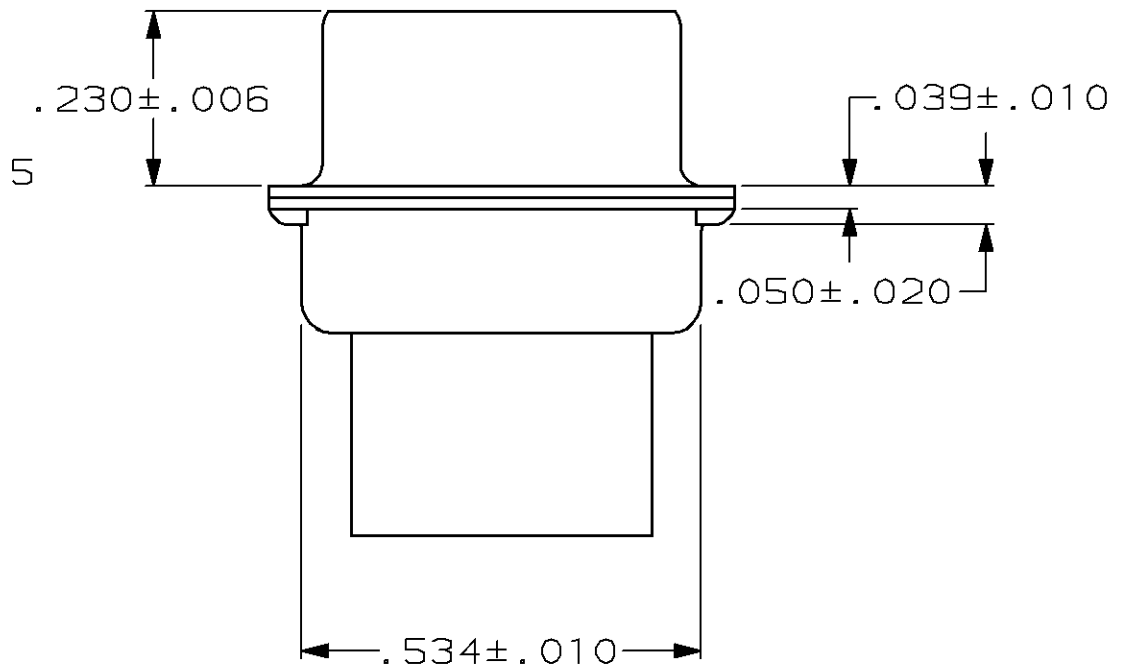
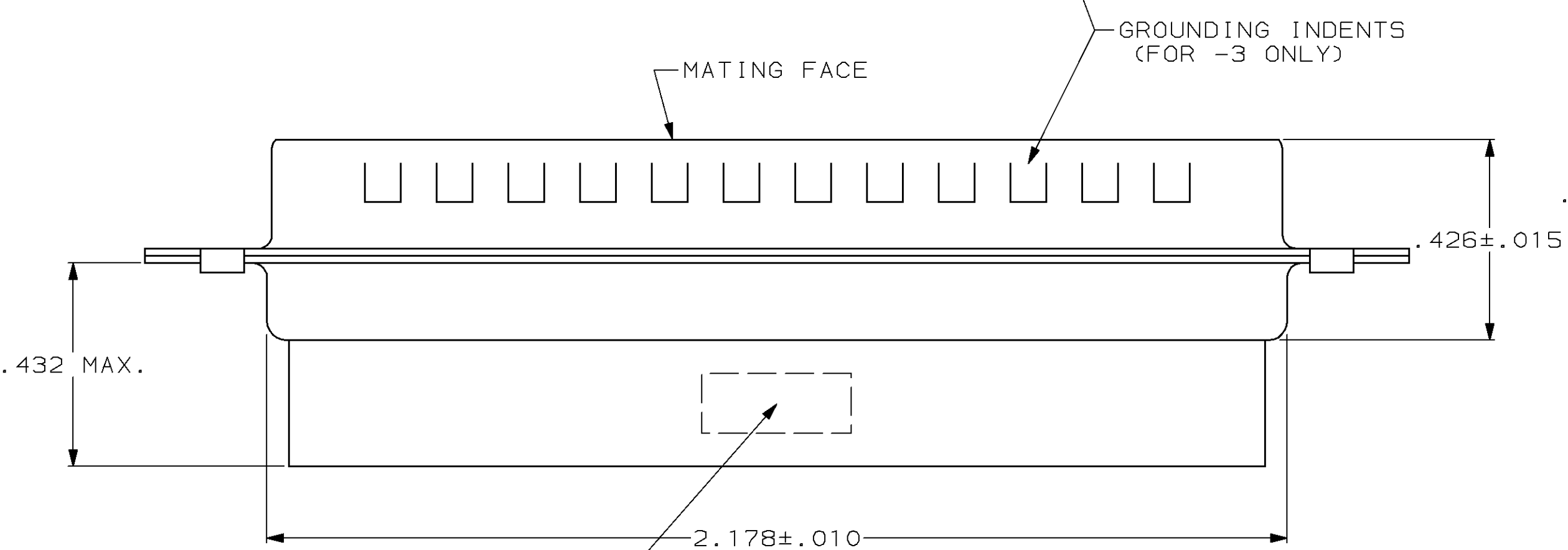
Address: A1208, Overseas Decoration Building, #122 Zhenhua RD., Futian, Shenzhen, China



LOC		DIST		REVISIONS			
P	F	ZONE	LTR	DESCRIPTION	DATE	APPD	
BD	48		E6	ADDED -5 PER NPR 4837	06/14/93	SB	
			F	OBS -5 PER EC 0420-141-96	17 SEPT 97	SB	



- CONNECTOR ACCEPTS SIZE 20 DF PIN CONTACTS, RETENTION TINES ARE AN INTEGRAL PART OF INSERT.
- CONNECTOR COMPLIES WITH AMP SPEC. 108-40005 WHERE APPLICABLE.
- FLAME RETARDANT 94V-0 RATED GLASS FILLED NYLON, COLOR: BLACK.
- STEEL PER ASTM A109.
- ZINC PLATED PER ASTM B633; TYPE II; CLASS SC1; YELLOW CHROMATE.
- TIN PLATED PER MIL-T-10727.
- THIS DIMENSION IS .441±.010 FOR -3.



"AMP", PART NO. & DATE CODE, MARKED IN AREA INDICATED, ON FAR SIDE

OBSOLETE	SMALL PACK	5	NO	205212-5
	STANDARD	6	YES	205212-3
	STANDARD	6	NO	205212-2
	STANDARD	5	NO	205212-1
	PACKAGING TYPE	SHELL FINISH	GROUNDING INDENTS	PART NUMBER

DO NOT SCALE PRINT. UNLESS SPECIFIED DIMENSIONS IN INCHES. TOLERANCES ON : 2 PLC DEC ± 3 PLC DEC ± .005 ANGLES ± 2°	DR 7-19-85 S.WELDON CHK 7-29-85 J.GERACE APPD 7-29-85 L.BREKOSKY APPD 7-31-85 V.KUMAR	AMP Incorporated Harrisburg, PA 17105-3608		
MATERIAL MOLDED PARTS: 3 SHELLS: 4	PRODUCT SPEC -	NAME PLUG CONNECTOR, SIZE 5, 50 POS., AMPLIMITE™HDP		
FINISH SHELLS: SEE TABLE	APPLICATION SPEC -	SIZE C	CAGE CODE 00779	DRAWING NO G=205212
	WEIGHT -	SCALE NTS	SHEET 1 OF 1	

THIS DRAWING IS A CONTROLLED DOCUMENT FOR AMP INCORPORATED. IT IS SUBJECT TO CHANGE AND THE CONTROLLING ENGINEERING ORGANIZATION SHOULD BE CONTACTED FOR THE LATEST REVISION.