



Chipsmall Limited consists of a professional team with an average of over 10 year of expertise in the distribution of electronic components. Based in Hongkong, we have already established firm and mutual-benefit business relationships with customers from,Europe,America and south Asia,supplying obsolete and hard-to-find components to meet their specific needs.

With the principle of "Quality Parts,Customers Priority,Honest Operation,and Considerate Service",our business mainly focus on the distribution of electronic components. Line cards we deal with include Microchip,ALPS,ROHM,Xilinx,Pulse,ON,Everlight and Freescale. Main products comprise IC,Modules,Potentiometer,IC Socket,Relay,Connector.Our parts cover such applications as commercial,industrial, and automotives areas.

We are looking forward to setting up business relationship with you and hope to provide you with the best service and solution. Let us make a better world for our industry!



## Contact us

Tel: +86-755-8981 8866 Fax: +86-755-8427 6832

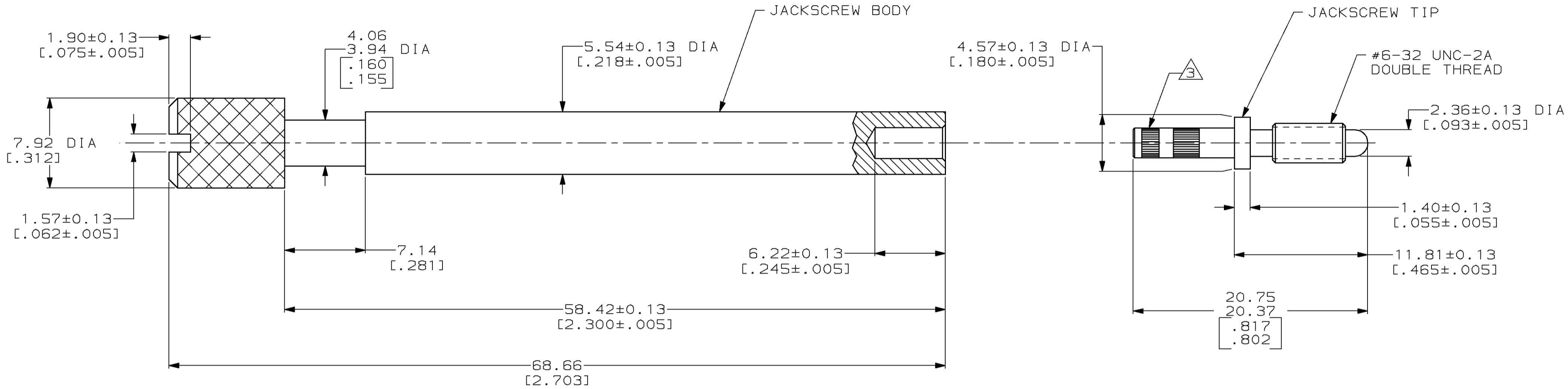
Email & Skype: info@chipsmall.com Web: www.chipsmall.com

Address: A1208, Overseas Decoration Building, #122 Zhenhua RD., Futian, Shenzhen, China

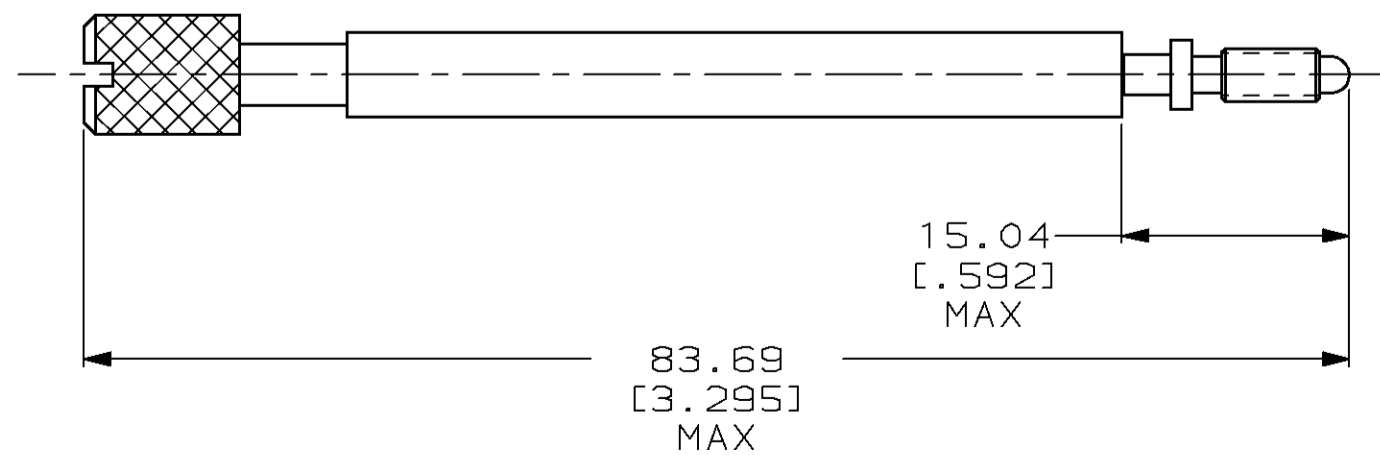


THIS DRAWING IS UNPUBLISHED. RELEASED FOR PUBLICATION  
 BY AMP INCORPORATED. ALL RIGHTS RESERVED.

LOC	DIST	REVISIONS			
P	LTR	DESCRIPTION	DATE	DWN	APVD
FT	8	F	REDRAWN W/O CHANGE PER EC 0020-289-96	07 AUG 96	-



- ① JACKSCREW BODY: BRASS.  
JACKSCREW TIP: STAINLESS STEEL.
- ② JACKSCREW BODY: 5.08µm [.000200] MIN NICKEL.
- ③ TIP KNURLED 2 PLC FOR PRESS FIT.



ASSEMBLED VIEW

THIS DRAWING IS A CONTROLLED DOCUMENT.		DWN B. CARBO	07 AUG 96	AMP Incorporated Harrisburg, PA 17105-3608
DIMENSIONS: mm [INCHES]		CHK R. STONE	04 JUN 97	
TOLERANCES UNLESS OTHERWISE SPECIFIED:		APVD G. STEINHAEUER	02 SEP 97	
0 PLC ±- 1 PLC ±- 2 PLC ±0.38 [.015] 3 PLC ±- 4 PLC ±- ANGLES ±- FINISH		PRODUCT SPEC	-	
MATERIAL		APPLICATION SPEC	-	NAME JACKSCREW KIT, UNASSEMBLED, MALE, LONG, M SERIES
FINISH		WEIGHT	-	SIZE A2
CUSTOMER DRAWING		SCALE	4:1	CAGE CODE 00779
		DRAWING NO	C-205268	SHEET 1 OF 1
		REV	F	

205268-1  
PART NUMBER

205268