



Chipsmall Limited consists of a professional team with an average of over 10 year of expertise in the distribution of electronic components. Based in Hongkong, we have already established firm and mutual-benefit business relationships with customers from,Europe,America and south Asia,supplying obsolete and hard-to-find components to meet their specific needs.

With the principle of “Quality Parts,Customers Priority,Honest Operation,and Considerate Service”,our business mainly focus on the distribution of electronic components. Line cards we deal with include Microchip,ALPS,ROHM,Xilinx,Pulse,ON,Everlight and Freescale. Main products comprise IC,Modules,Potentiometer,IC Socket,Relay,Connector.Our parts cover such applications as commercial,industrial, and automotives areas.

We are looking forward to setting up business relationship with you and hope to provide you with the best service and solution. Let us make a better world for our industry!



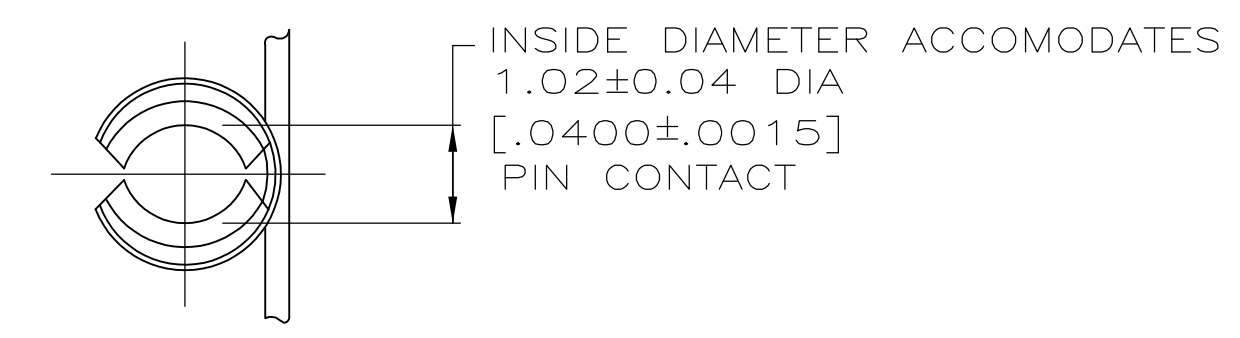
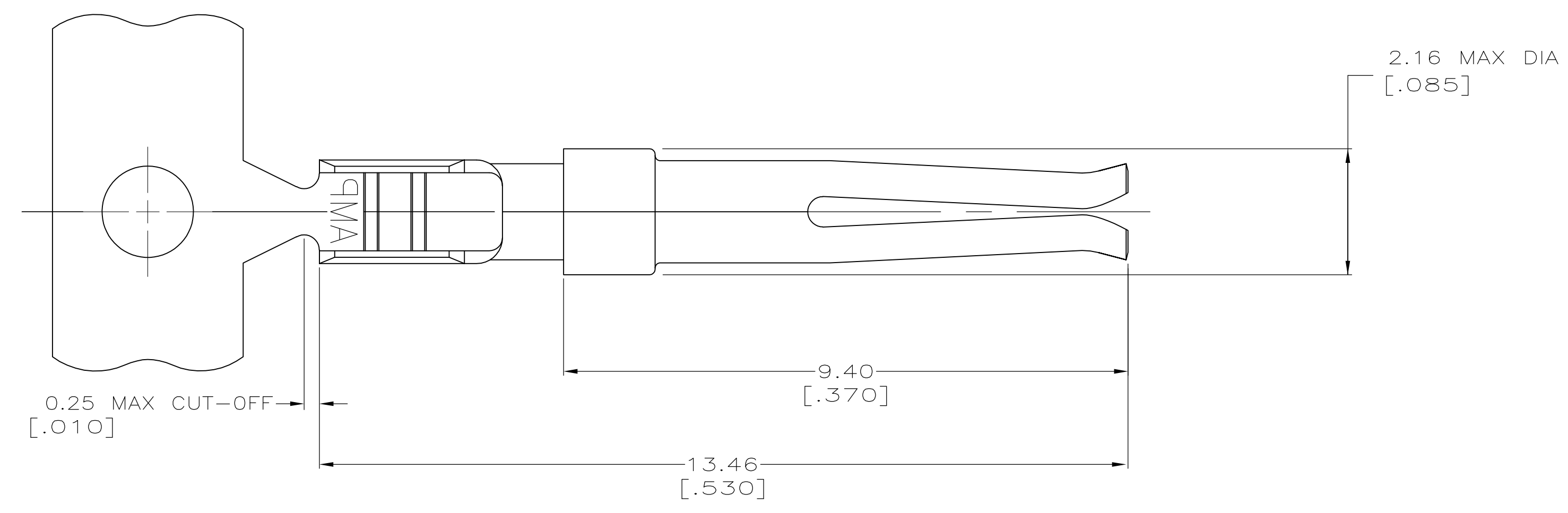
## Contact us

Tel: +86-755-8981 8866 Fax: +86-755-8427 6832

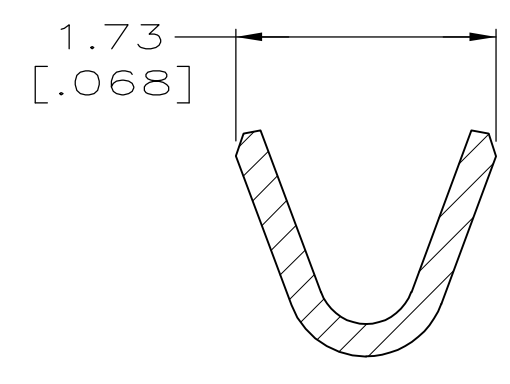
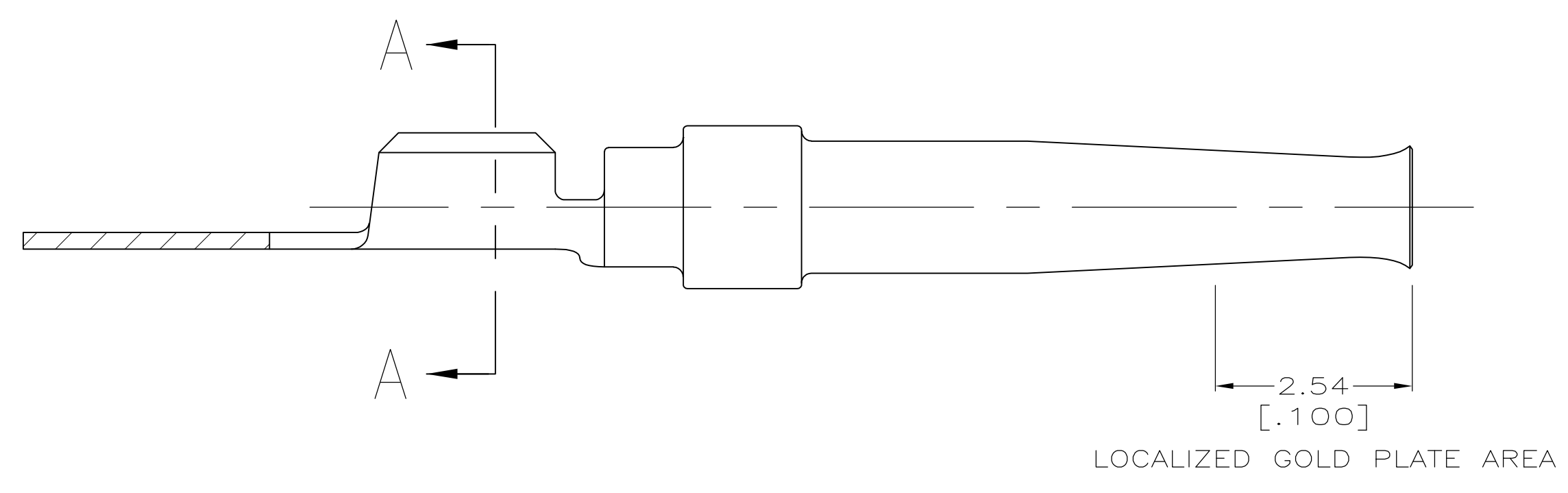
Email & Skype: info@chipsmall.com Web: www.chipsmall.com

Address: A1208, Overseas Decoration Building, #122 Zhenhua RD., Futian, Shenzhen, China





- 1 PLATED WITH 0.76μm [.000030] GOLD ON INSIDE OF LOCALIZED GOLD PLATE AREA, GOLD FLASH ON REMAINDER, ALL OVER 1.27μm [.000050] NICKEL UNDERPLATE.  
-OR-  
GOLD FLASH OVER PALLADIUM-NICKEL 0.76μm [.000030] TOTAL ON INSIDE OF LOCALIZED GOLD PLATE AREA, GOLD FLASH ON REMAINDER, ALL OVER 1.27μm [.000050] NICKEL UNDERPLATE.
- 2 PLATED GOLD FLASH PER MIL-G-45204 OVER 0.76μm [.000030] MIN NICKEL PER QQ-N-290.
- 3 SELECTIVE GOLD PLATED 0.76μm [.000030] THICK PER MIL-G-45204 ON MATING END FOR A LENGTH OF 2.54 [.100], TIN PLATED WIRE BARRELS, ALL OVER 1.27μm [.000050] NICKEL PER QQ-N-290.
- 4. FOR USE WITH MIN-APPLICATOR.



SECTION A-A  
SCALE 20:1

SUPERSEDED BY 205311-3	3	2-205311-1
	2	205311-4
	1	205311-3
FINISH		PART NO

THIS DRAWING IS A CONTROLLED DOCUMENT.		DWN L. MORNINGSTAR 1-12-70	Tyco Electronics Corporation Harrisburg, PA 17105-3608	
DIMENSIONS: mm [INCHES]		CHK J. SAYLOR 1-14-71	NAME R. BAER 1-14-71	
TOLERANCES UNLESS OTHERWISE SPECIFIED:		PRODUCT SPEC		
0. PLC ± -		APPLICATION SPEC		
1. PLC ± -		SIZE CAGE CODE DRAWING NO		
2. PLC ± 0.13 [.005]		RESTRICTED TO		
3. PLC ± -		A1 00779 C=205311		
4. PLC ± -		CUSTOMER DRAWING		
ANGLES ± -		SCALE 15:1 SHEET 1 OF 1 REV S		
FINISH SEE TABLE		WEIGHT -		