



Chipsmall Limited consists of a professional team with an average of over 10 year of expertise in the distribution of electronic components. Based in Hongkong, we have already established firm and mutual-benefit business relationships with customers from,Europe,America and south Asia,supplying obsolete and hard-to-find components to meet their specific needs.

With the principle of “Quality Parts,Customers Priority,Honest Operation,and Considerate Service”,our business mainly focus on the distribution of electronic components. Line cards we deal with include Microchip,ALPS,ROHM,Xilinx,Pulse,ON,Everlight and Freescale. Main products comprise IC,Modules,Potentiometer,IC Socket,Relay,Connector.Our parts cover such applications as commercial,industrial, and automotives areas.

We are looking forward to setting up business relationship with you and hope to provide you with the best service and solution. Let us make a better world for our industry!



Contact us

Tel: +86-755-8981 8866 Fax: +86-755-8427 6832

Email & Skype: info@chipsmall.com Web: www.chipsmall.com

Address: A1208, Overseas Decoration Building, #122 Zhenhua RD., Futian, Shenzhen, China



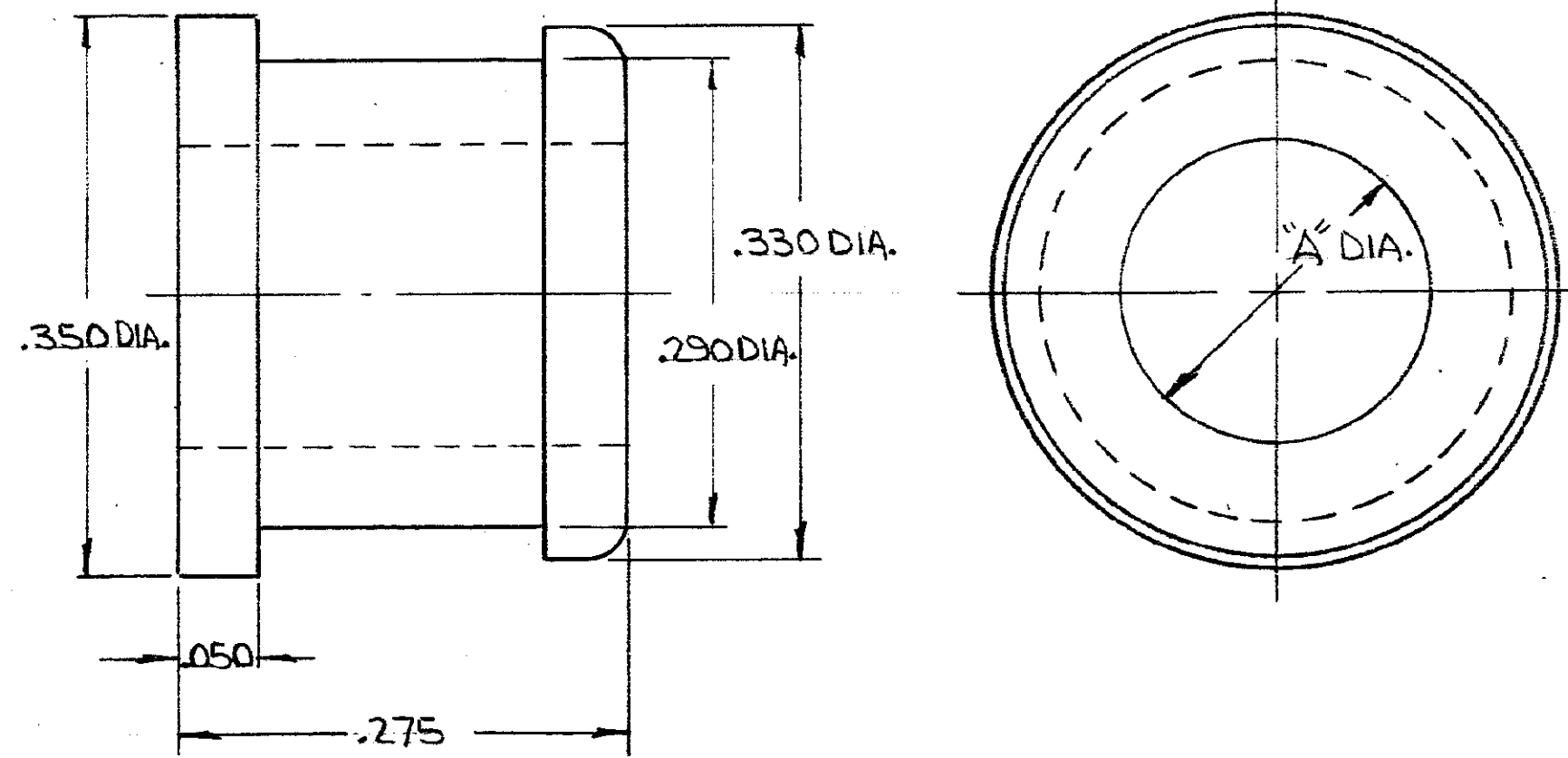
© 1971 BY AMP INCORPORATED. ALL RIGHTS RESERVED. AMP PRODUCTS COVERED BY PATENTS AND/OR PATENTS PENDING.

Unpublished copy not to be reproduced nor published without written permission of AMP Incorporated.

REVISIONS				
ZONE	LTR	DESCRIPTION	DATE	APPROVED
	A	REV. PER ECN C-520	9-10-73	SJS
	B	ADDED -3 PER ECN F-102	7/13/79	AHLL
	C	ADDED -4 & -5 PER ECN J-791	10/28/82	TLH
	D	REV PER DF4728	PY 5-13-91	EJA

- 205402-1 1. AS SHOWN: (A)
2. "A" DIM. = .205
3. FOR USE WITH RG223 CABLE
- 205402-2 1. SAME AS -1 EXCEPT:
2. "A" DIA. = .182 DIA.
3. FOR USE WITH RG58C CABLE
- 205402-3 1. SAME AS -1 EXCEPT:
2. "A" DIA. = .128 DIA.
3. FOR USE WITH .141 SEMI-RIGID CABLE.

- 205402-4 1. SAME AS -1 EXCEPT:
2. MATERIAL: FLUROSILICONE RUBBER, BLUE.
- 205402-5 1. SAME AS -2 EXCEPT:
2. MATERIAL: FLUROSILICONE RUBBER, BLUE.



D
S
C
B
A
LOC
PRINT DIST
DF/AO

A
D
C
B
A

UNLESS OTHERWISE SPECIFIED DIMENSIONS ARE IN INCHES. TOLERANCES ON: DECIMALS ±.010 ANGLES ± #	CONTRACT NO.	AMP AMP INCORPORATED HARRISBURG, PENNSYLVANIA	
	DR. [Signature] 8/20/71		
MATERIAL SILICONE RUBBER, RED	CH. [Signature] 8/20/71	NAME SEALING BOOT, COAX	
	APPR. [Signature] 8/20/71	SIZE B	CODE IDENT. NO. 00779
	DSGN APPD	NUMBER 205402	
	OTHER APPD	SCALE #	SHEET 1 OF 1