



Chipsmall Limited consists of a professional team with an average of over 10 year of expertise in the distribution of electronic components. Based in Hongkong, we have already established firm and mutual-benefit business relationships with customers from,Europe,America and south Asia,supplying obsolete and hard-to-find components to meet their specific needs.

With the principle of “Quality Parts,Customers Priority,Honest Operation,and Considerate Service”,our business mainly focus on the distribution of electronic components. Line cards we deal with include Microchip,ALPS,ROHM,Xilinx,Pulse,ON,Everlight and Freescale. Main products comprise IC,Modules,Potentiometer,IC Socket,Relay,Connector.Our parts cover such applications as commercial,industrial, and automotives areas.

We are looking forward to setting up business relationship with you and hope to provide you with the best service and solution. Let us make a better world for our industry!



Contact us

Tel: +86-755-8981 8866 Fax: +86-755-8427 6832

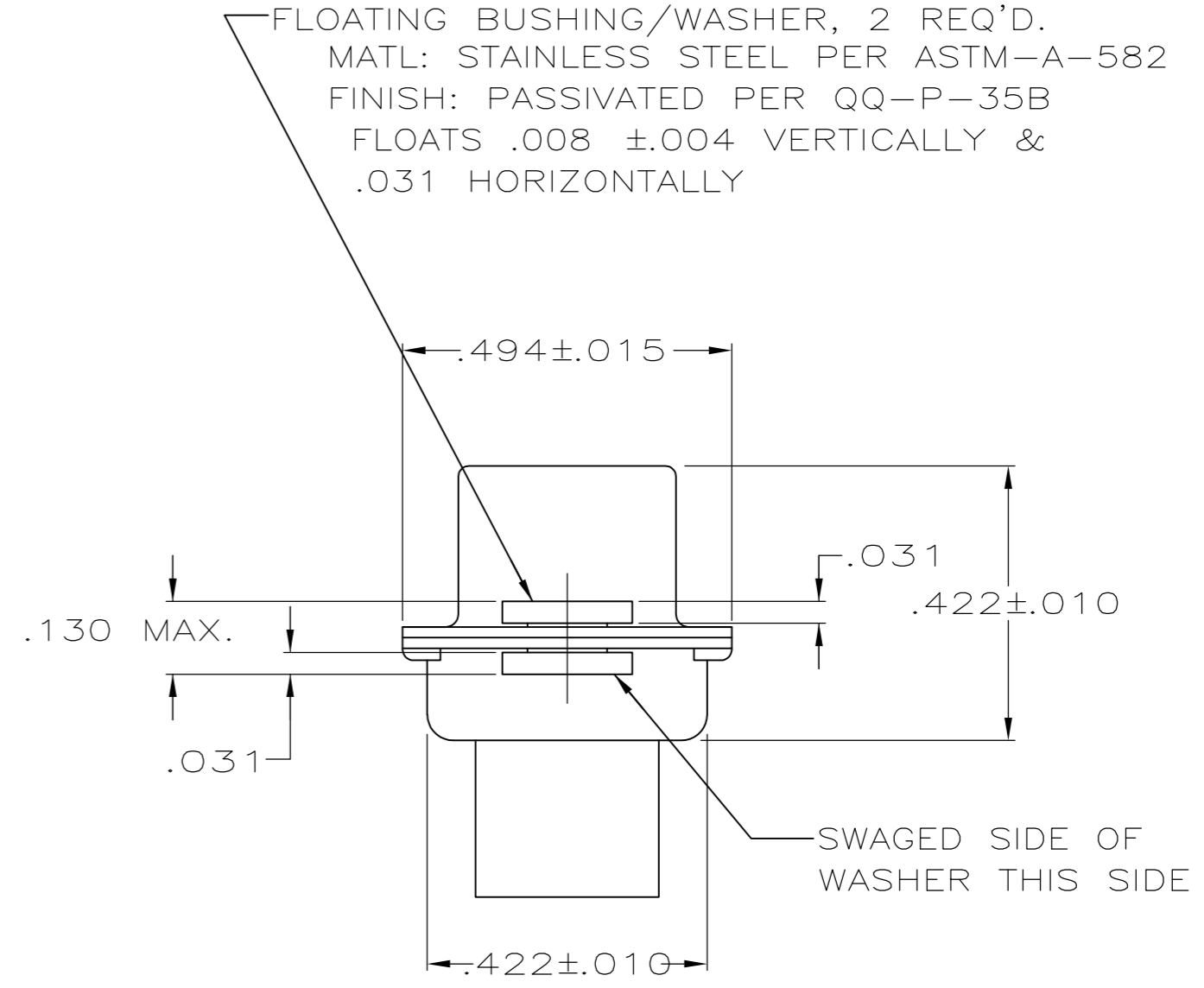
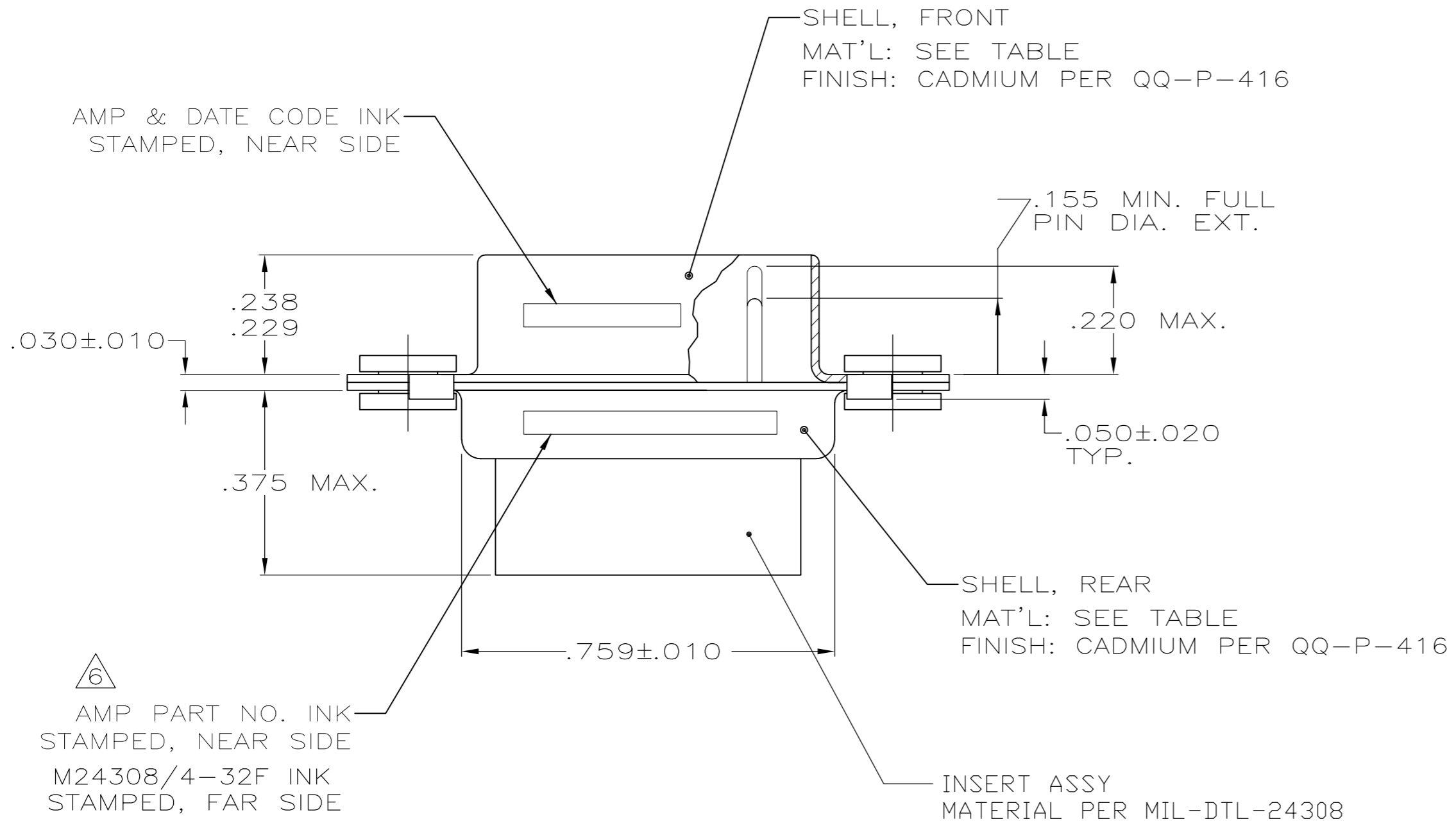
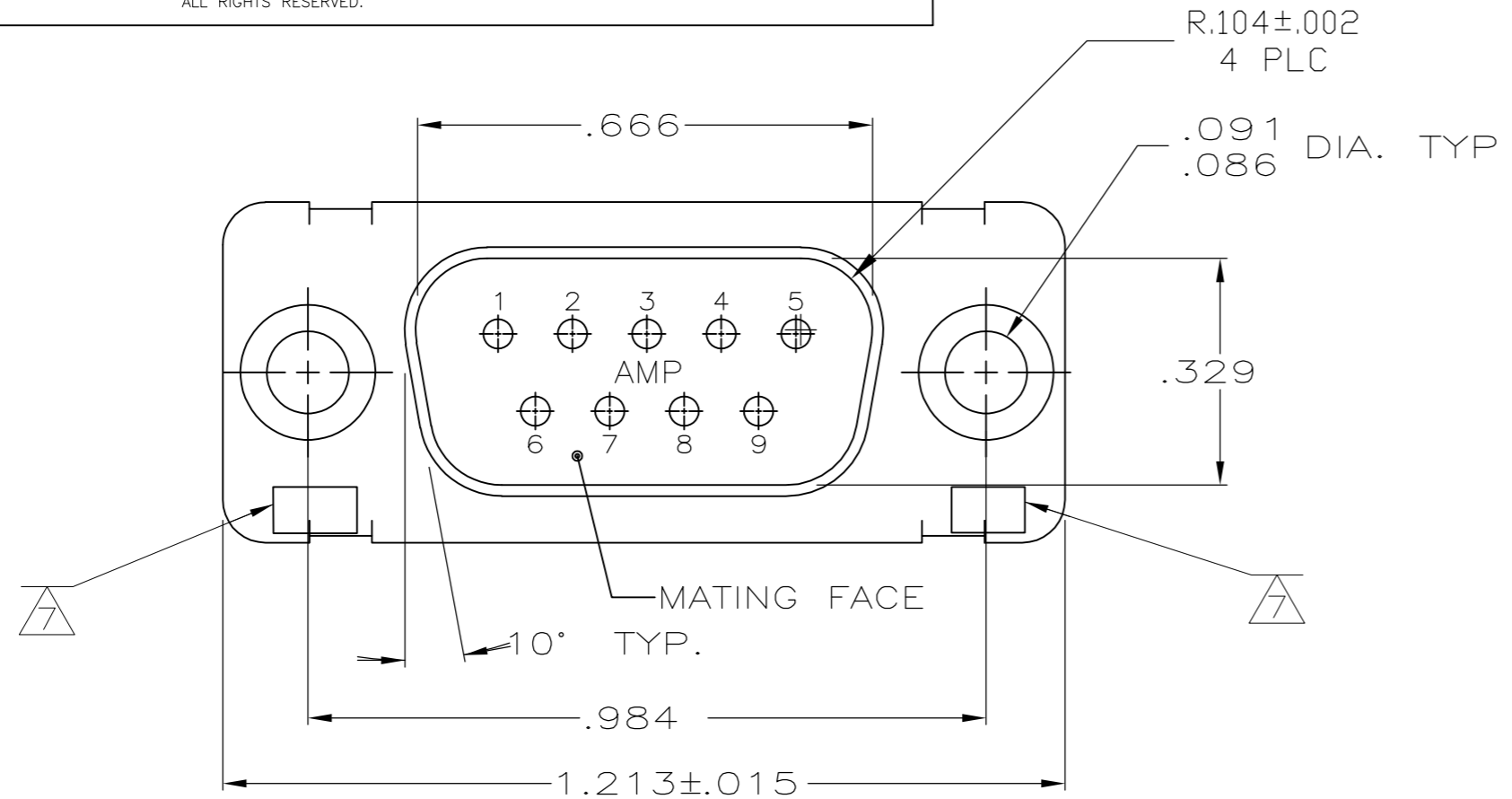
Email & Skype: info@chipsmall.com Web: www.chipsmall.com

Address: A1208, Overseas Decoration Building, #122 Zhenhua RD., Futian, Shenzhen, China



THIS DRAWING IS UNPUBLISHED. RELEASED FOR PUBLICATION
 © COPYRIGHT - By - ALL RIGHTS RESERVED.

| LOC | | DIST | | REVISIONS | | | |
|-----|-----|-------------|---|-----------------------|---------|------|----|
| P | LTR | DESCRIPTION | | DATE | DWN | APVD | |
| - | - | P | P | REV PER ECO-15-016062 | 10NOV15 | KG | CD |



- THIS PLUG IS DESIGNED TO CONFORM TO THE LATEST ISSUE OF MIL-C-24308
 - MAX WIRE INSUL. TO BE USED WITH THIS PLUG IS .068 DIA.
 - STAINLESS STEEL RETENTION CLIPS ARE INCLUDED IN INSERTS
 - PACKAGE STAMPED M 24308/4-325F
 - THIS PLUG WILL ACCEPT SIZE 20 PIN CONTACT M24308/11 OR AMP # 205089
- AMP PART NO. STAMPED ON CONNECTOR REPRESENTS KIT NUMBER WITH CONTACTS
 - UL/CSA DESIGNATION STAMPED IN THIS AREA.

| | | |
|----------|--------------------|----------|
| OBSOLETE | BRASS | 205412-2 |
| | STL PER ASTM-A-109 | 205412-1 |
| | SHELL MATL. | PART NO. |

| | | | | | |
|--|--|---|----------|-----------------------------|--|
| THIS DRAWING IS A CONTROLLED DOCUMENT. | | DWN | 12-8-87 | C.C.THOMAS | |
| DIMENSIONS: INCHES | | CHK | 12-10-87 | FC BALLEW III | |
| TOLERANCES UNLESS OTHERWISE SPECIFIED: | | APVD | - | NAME | |
| 0 PLC ± - | | PRODUCT SPEC | - | TE Connectivity | |
| 1 PLC ± - | | APPLICATION SPEC | - | PLUG ASSY,AMPLITE,SIZE 1 | |
| 2 PLC ± - | | WEIGHT | - | SERIES 109 W/FLOAT BUSHINGS | |
| 3 PLC ± .005 | | SCALE | 4:1 | SHEET 1 of 1 | |
| 4 PLC ± - | | CUSTOMER DRAWING | | REV P | |
| ANGLES ± - | | SIZE CAGE CODE DRAWING NO RESTRICTED TO | | | |
| FINISH SEE CALLOUTS | | A2 00779 C=205412 | | | |