



Chipsmall Limited consists of a professional team with an average of over 10 year of expertise in the distribution of electronic components. Based in Hongkong, we have already established firm and mutual-benefit business relationships with customers from,Europe,America and south Asia,supplying obsolete and hard-to-find components to meet their specific needs.

With the principle of “Quality Parts,Customers Priority,Honest Operation,and Considerate Service”,our business mainly focus on the distribution of electronic components. Line cards we deal with include Microchip,ALPS,ROHM,Xilinx,Pulse,ON,Everlight and Freescale. Main products comprise IC,Modules,Potentiometer,IC Socket,Relay,Connector.Our parts cover such applications as commercial,industrial, and automotives areas.

We are looking forward to setting up business relationship with you and hope to provide you with the best service and solution. Let us make a better world for our industry!



Contact us

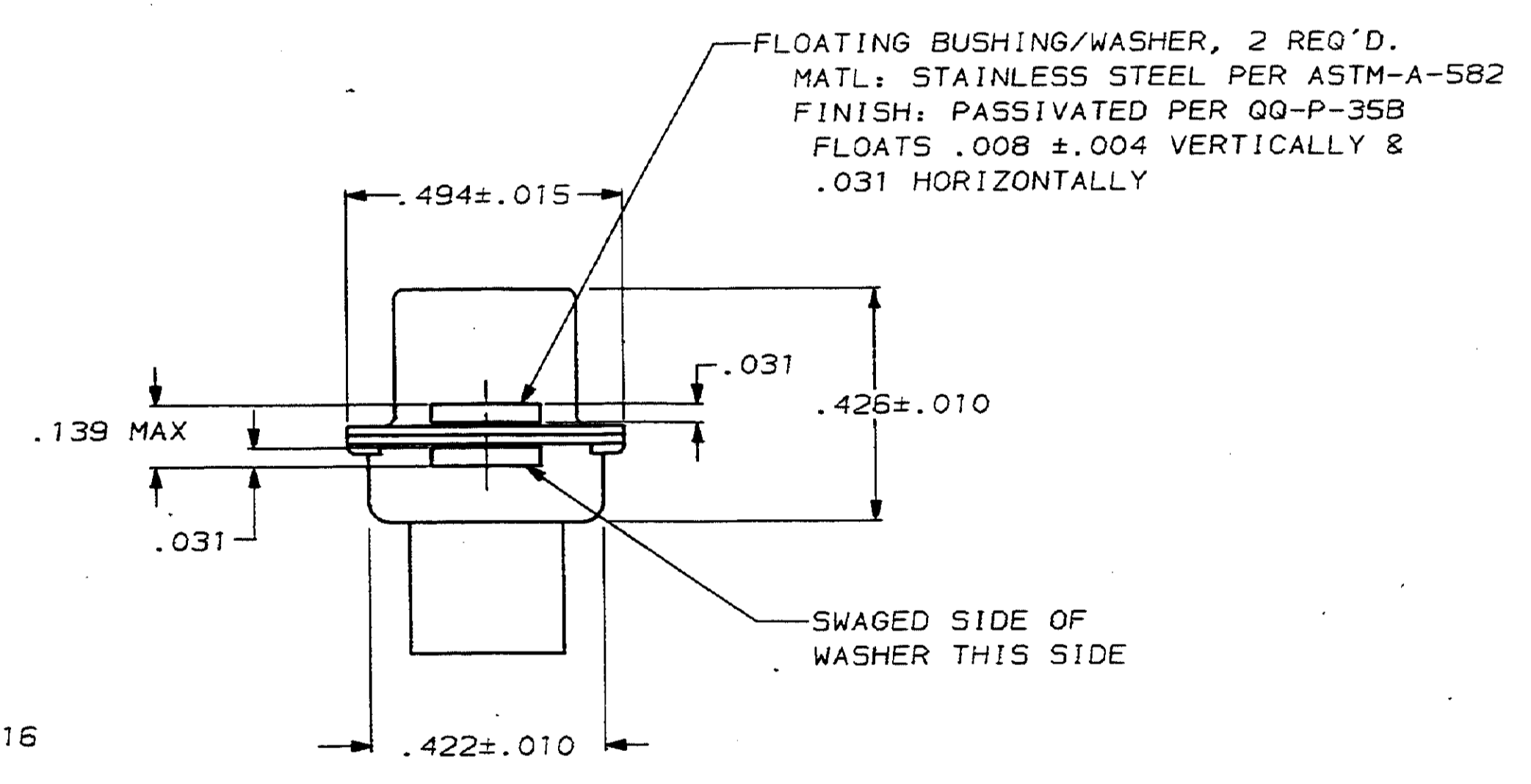
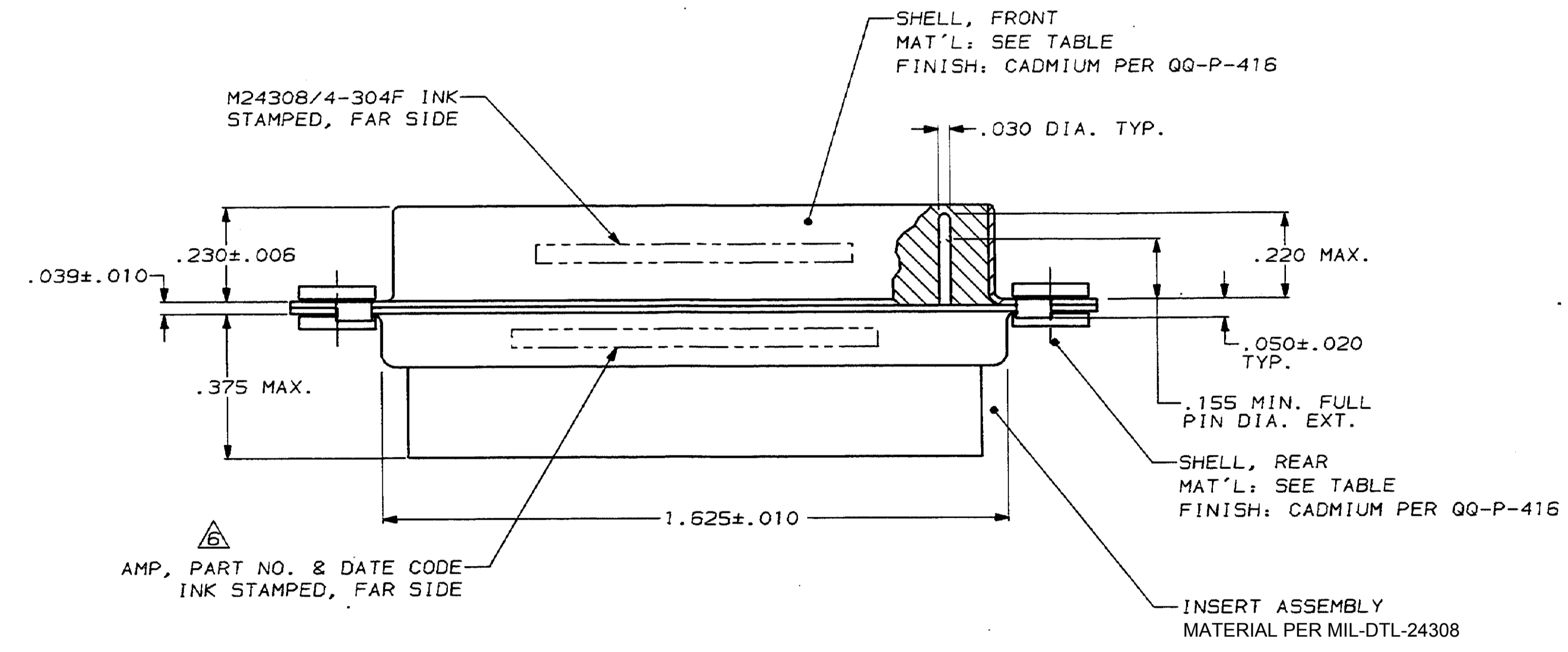
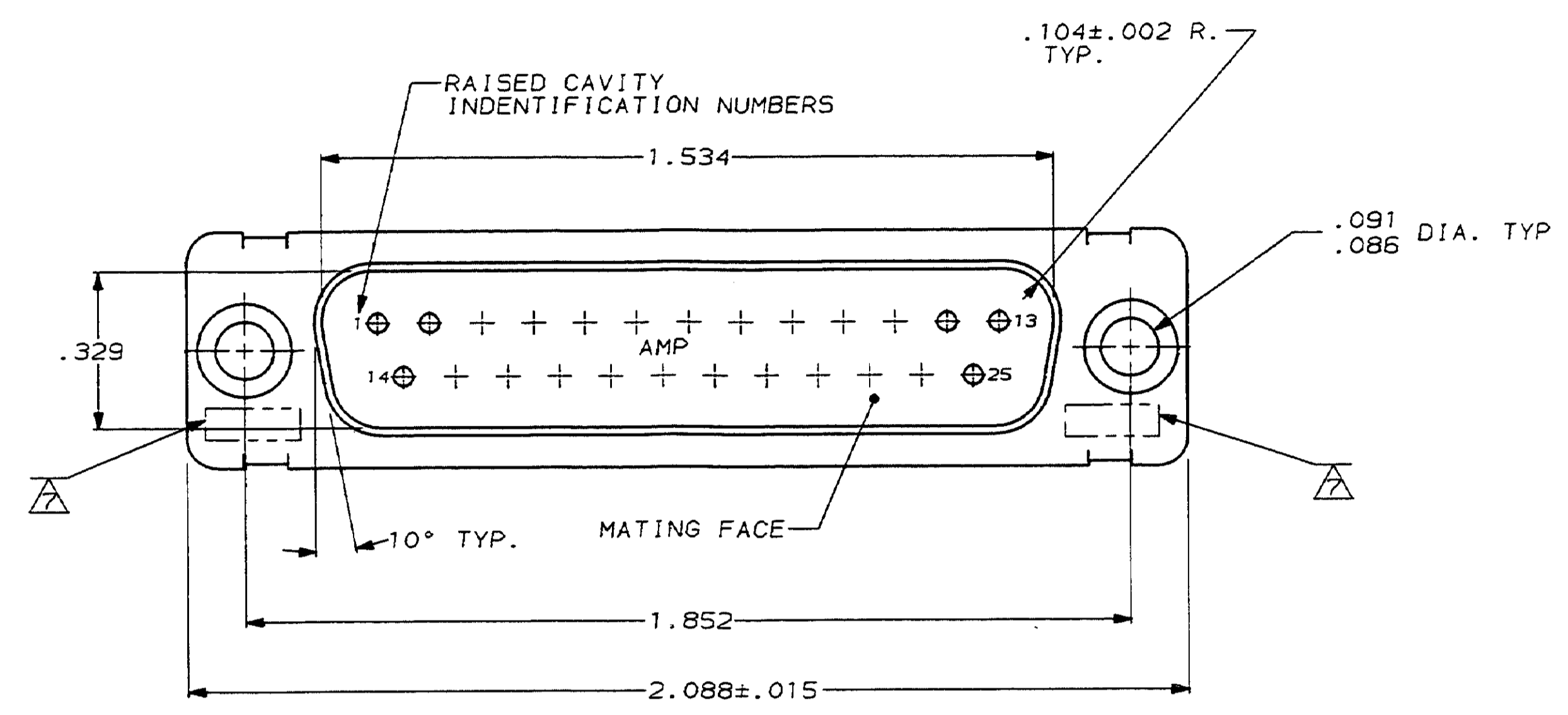
Tel: +86-755-8981 8866 Fax: +86-755-8427 6832

Email & Skype: info@chipsmall.com Web: www.chipsmall.com

Address: A1208, Overseas Decoration Building, #122 Zhenhua RD., Futian, Shenzhen, China



PROD CODE	LOC	QTY	REV	ZONE	LTR	DESCRIPTION	DATE	APPD
5066	DF	DO						
						K REV & REDRAWN; ECN DF-0021 & DF-0160	12-8 87	FB
						L REV-ECN DF-1034	12-8-88	TC
						M REV PER ECO 15-005907	5-15	DM
						N REV PER ECO115-016062	11-15	CD



- THIS PLUG IS DESIGNED TO CONFORM TO THE LATEST ISSUE OF MIL-C-24308
 - MAX WIRE INSUL. TO BE USED WITH THIS PLUG IS .068 DIA.
 - STAINLESS STEEL RETENTION CLIPS ARE INCLUDED IN INSERTS
 - PACKAGE STAMPED M 24308/4-326F.
 - THIS PLUG WILL ACCEPT SIZE 20 PIN CONTACT M24308/11 OR AMP # 205089
- △ AMP PART NO. STAMPED ON CONNECTOR REPRESENTS KIT NUMBER WITH CONTACTS
- △ UL/CSA DESIGNATION STAMPED IN THIS AREA.

OBSOLETE	BRASS	205413-2
	STEEL PER ASTM-A-109	205413-1
	SHELL MAT'L	PART NO

DO NOT SCALE PRINT. UNLESS SPECIFIED DIMENSIONS IN INCHES TOLERANCES ON : 2 PLC DEC ± .005 3 PLC DEC ± .005 ANGLES ± 0°30'	DR 12-8-87 C.C. THOMAS CHK 12-10-87 F.C. BALLEW III APPD 12-10-87 F.C. BALLEW III APPD 12-10-87 D.J.M.	NAME AMPLIMITE PLUG FOR PIN CONTACTS HI-DENSITY "HDM-20" CONNECTOR SIZE 3 (25 POSN) SERIES 109 WITH FLOAT BUSHINGS
SEE CALLOUTS	PRODUCT SPEC	
FINISH SEE CALLOUTS	APPLICATION SPEC	
	WEIGHT	
	SIZE D	FSCM NO 00779
	SCALE 4:1	DRAWING NO 205413
		REV N
		SHEET 1 OF 1