



Chipsmall Limited consists of a professional team with an average of over 10 year of expertise in the distribution of electronic components. Based in Hongkong, we have already established firm and mutual-benefit business relationships with customers from,Europe,America and south Asia,supplying obsolete and hard-to-find components to meet their specific needs.

With the principle of “Quality Parts,Customers Priority,Honest Operation,and Considerate Service”,our business mainly focus on the distribution of electronic components. Line cards we deal with include Microchip,ALPS,ROHM,Xilinx,Pulse,ON,Everlight and Freescale. Main products comprise IC,Modules,Potentiometer,IC Socket,Relay,Connector.Our parts cover such applications as commercial,industrial, and automotives areas.

We are looking forward to setting up business relationship with you and hope to provide you with the best service and solution. Let us make a better world for our industry!



Contact us

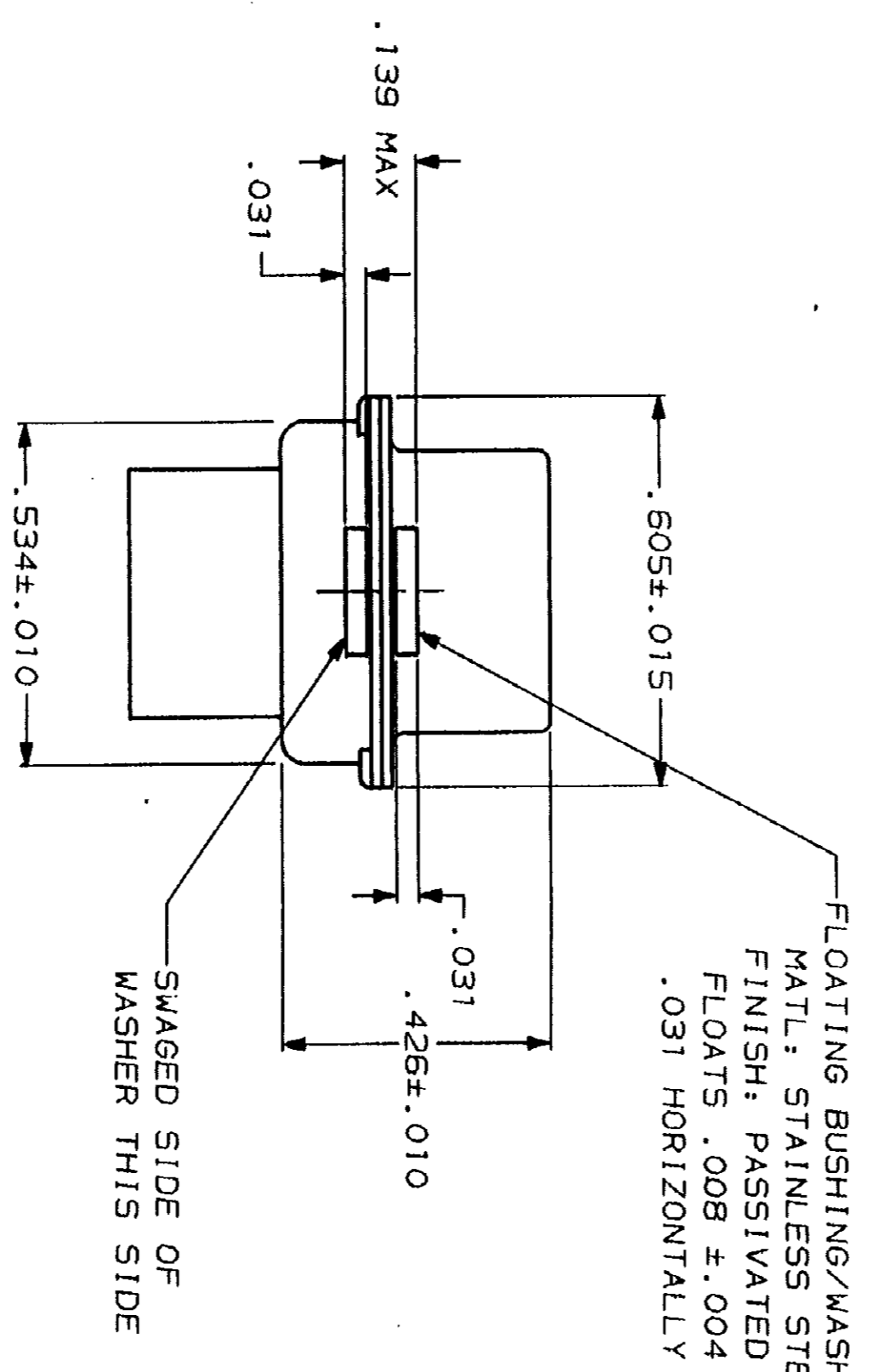
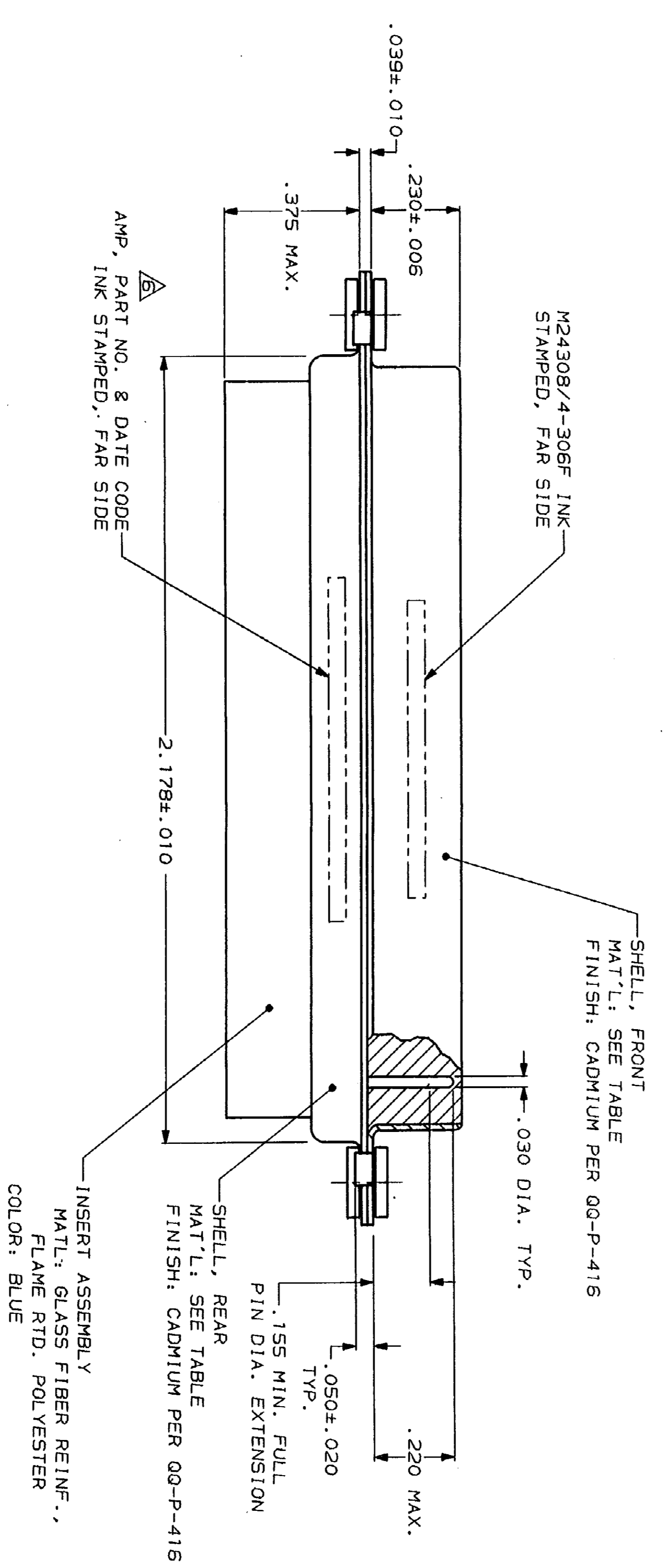
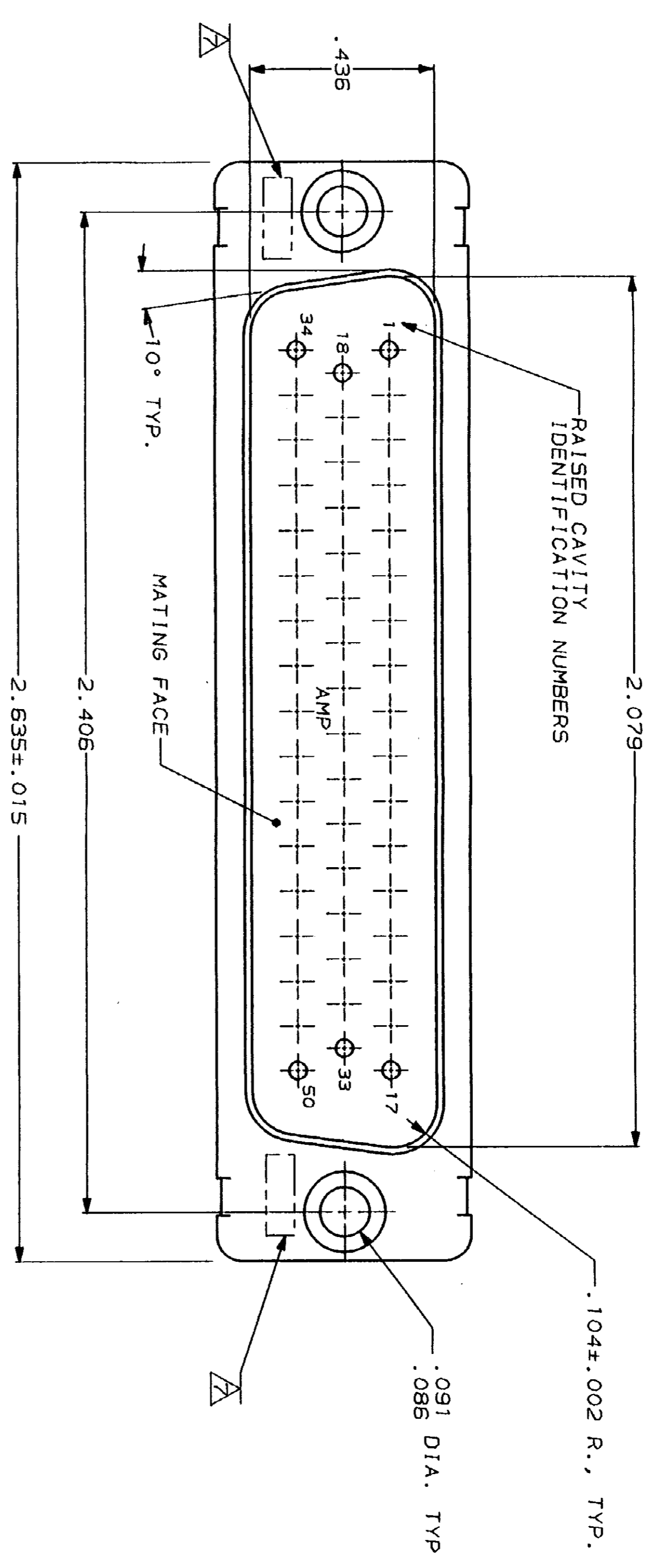
Tel: +86-755-8981 8866 Fax: +86-755-8427 6832

Email & Skype: info@chipsmall.com Web: www.chipsmall.com

Address: A1208, Overseas Decoration Building, #122 Zhenhua RD., Futian, Shenzhen, China



REV#	DATE	APP'D	DESCRIPTION
1	12-9-87	FB	REV 8 REDRAWN; ECN DF-0021 & DF-0160
2	87		CCT
3			REV-ECN DF-1034



1. THIS PLUG IS DESIGNED TO CONFORM TO THE LATEST ISSUE OF MIL-C-24308
2. MAX WIRE INSUL. TO BE USED WITH THIS PLUG IS .068 DIA.
3. STAINLESS STEEL RETENTION CLIPS ARE INCLUDED IN INSERTS
4. PACKAGE STAMPED M 24308/4-328F
5. THIS PLUG WILL ACCEPT SIZE 20 PIN CONTACT M24308/11 OR AMP # 205089

AMP PART NO. STAMPED ON CONNECTOR REPRESENTS KIT NUMBER WITH CONTACTS
 UL/CSA DESIGNATION STAMPED IN THIS AREA.

DO NOT SCALE PRINT. UNLESS SPECIFIED DIMENSIONS IN INCHES TOLERANCES ON: 2 PLG DEC ± .005 ANGLES ± 0°30' MATERIAL: SEE CALLOUTS	DR 12-9-87 C.C. THOMAS CHK 12-10-87 F.C. BALLEW III APPD 12-10-87 F.C. BALLEW III APPD 12-10-87 D.J.M. PRODUCT SPEC	NAME AMPLIMITE PLUG FOR PIN CONTACTS HI-DENSITY "HDM-20" CONNECTOR SIZE S (50 POSND) SERIES 109 WITH FLOAT BUSHINGS
FINISH: SEE CALLOUTS	APPLICATION SPEC	SIZE: D 00779
WEIGHT: -	SCALE: 4:1	DRAWING NO: 205415

BRASS	205415-2
STEEL PER ASTM-A-109	205415-1
SHELL MAT'L	PART NO