



Chipsmall Limited consists of a professional team with an average of over 10 year of expertise in the distribution of electronic components. Based in Hongkong, we have already established firm and mutual-benefit business relationships with customers from,Europe,America and south Asia,supplying obsolete and hard-to-find components to meet their specific needs.

With the principle of “Quality Parts,Customers Priority,Honest Operation,and Considerate Service”,our business mainly focus on the distribution of electronic components. Line cards we deal with include Microchip,ALPS,ROHM,Xilinx,Pulse,ON,Everlight and Freescale. Main products comprise IC,Modules,Potentiometer,IC Socket,Relay,Connector.Our parts cover such applications as commercial,industrial, and automotives areas.

We are looking forward to setting up business relationship with you and hope to provide you with the best service and solution. Let us make a better world for our industry!



## Contact us

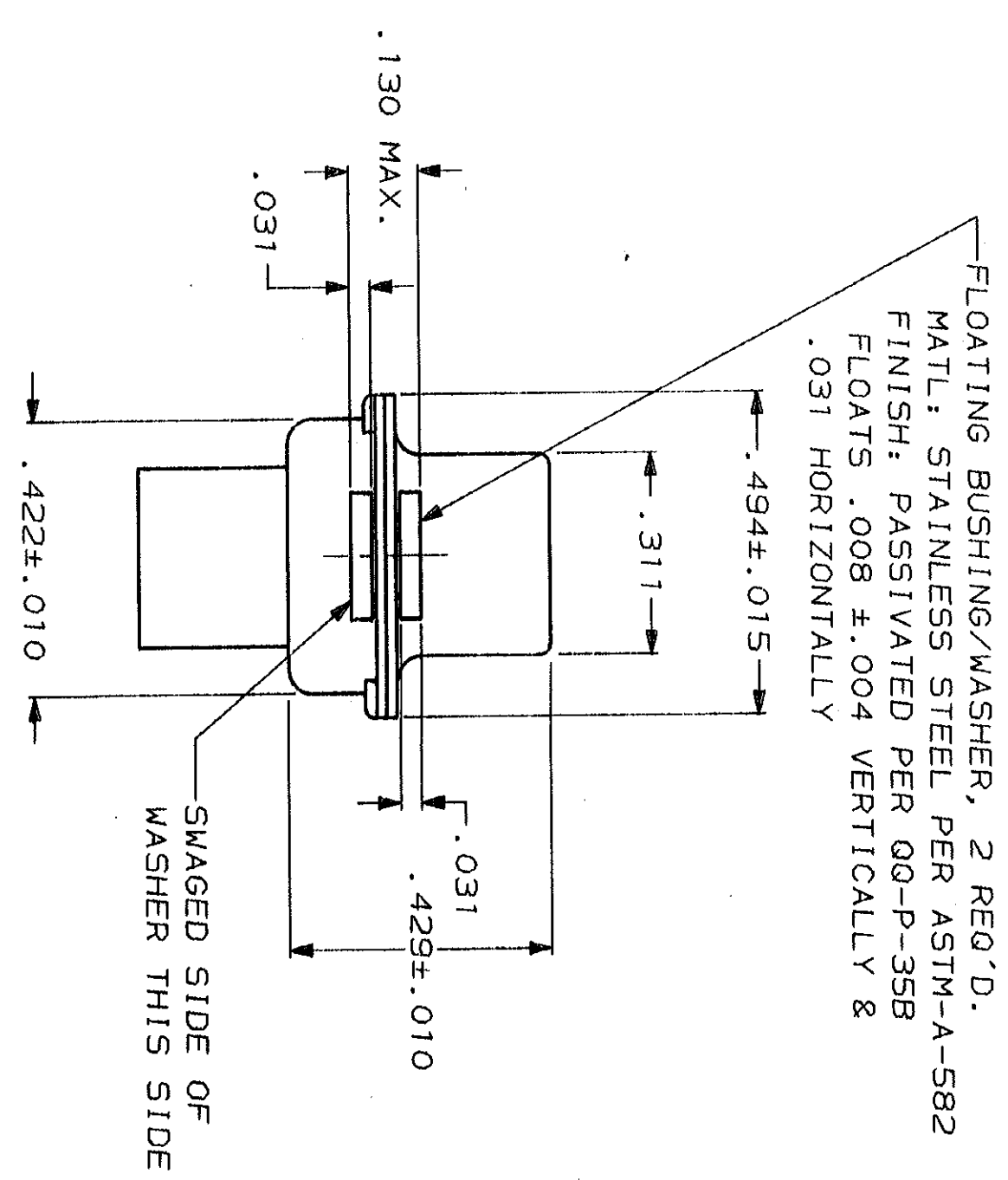
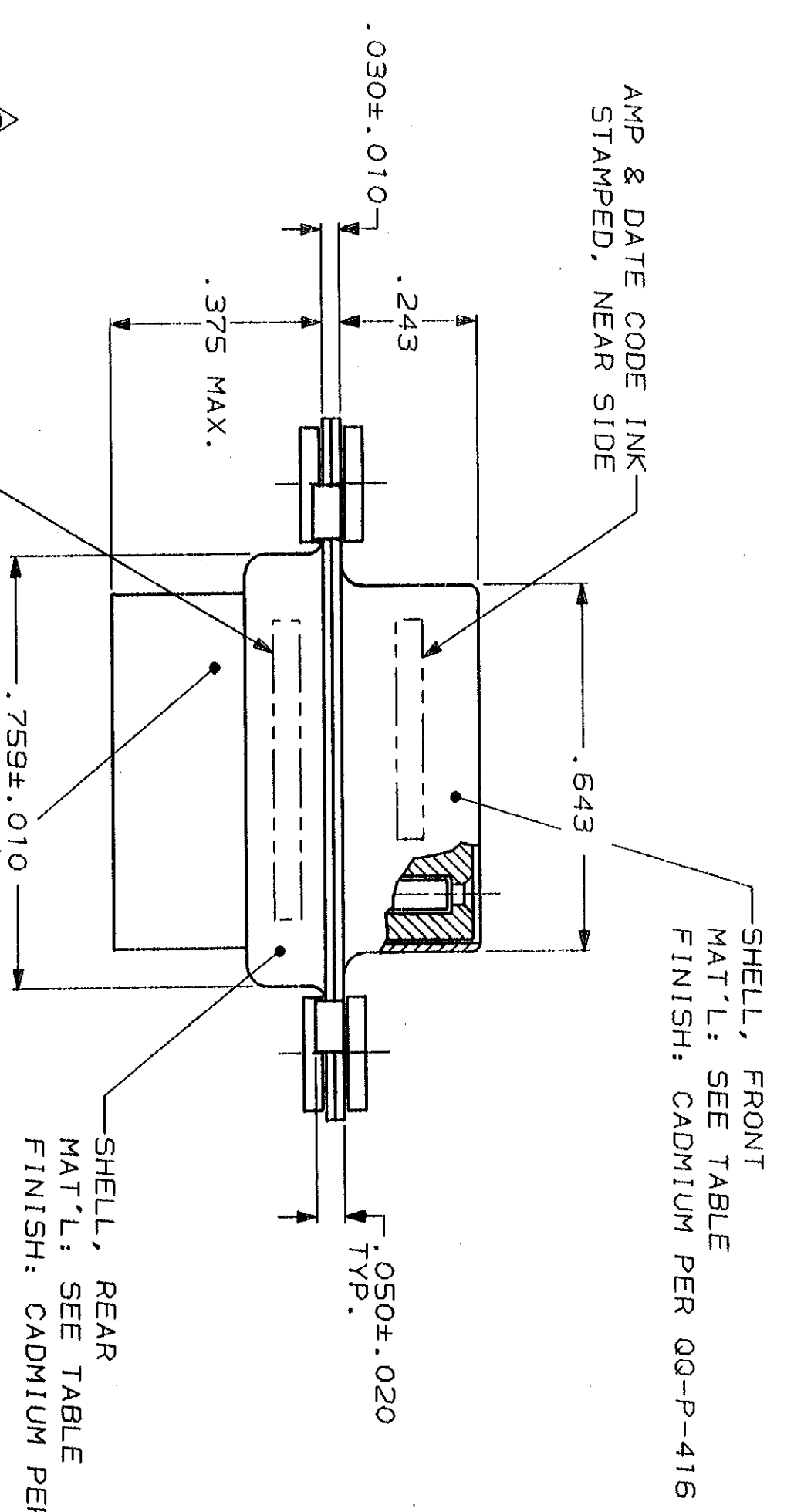
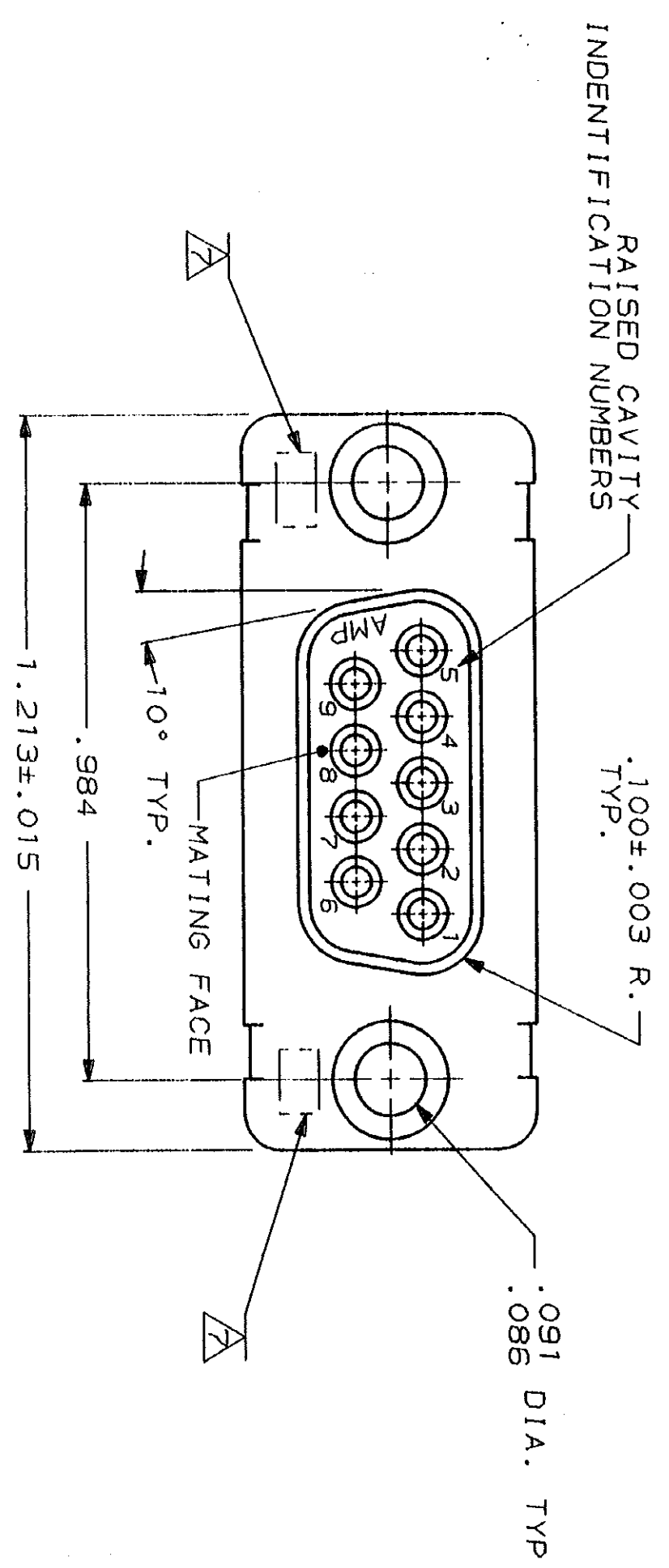
Tel: +86-755-8981 8866 Fax: +86-755-8427 6832

Email & Skype: info@chipsmall.com Web: www.chipsmall.com

Address: A1208, Overseas Decoration Building, #122 Zhenhua RD., Futian, Shenzhen, China



PROJ CODE	LOC	DIST	REV	ZONE	LTR	DESCRIPTION	DATE	APPD
5066	DF	D0						
						REV 8 REDRAWN, ECN DF-0021 & DF-0160	12-9 87	
						REV / ECN DF-1034 TW	CCT	ZMM



AMP PART NO. INK STAMPED, NEAR SIDE  
 M24308/2-23F INK STAMPED, FAR SIDE

INSERT ASSEMBLY  
 MAT'L: GLASS FIBER REINF.,  
 FLAME RTD. POLYESTER  
 COLOR: BLUE

SHELL, FRONT  
 MAT'L: SEE TABLE  
 FINISH: CADMIUM PER QQ-P-416

SHELL, REAR  
 MAT'L: SEE TABLE  
 FINISH: CADMIUM PER QQ-P-416

1. THIS RCPT. IS DESIGNED TO CONFORM TO THE LATEST ISSUE OF MIL-C-24308
2. MAX WIRE INSUL TO BE USED WITH THIS RCPT IS .068 DIA
3. STAINLESS STEEL RETENTION CLIPS ARE INCLUDED IN INSERTS
4. PACKAGE STAMPED M24308/2-292F
5. THIS RCPT. WILL ACCEPT SIZE 20 SOCKET CONTACT M24308/10 OR AMP # 205090
6. AMP PART NO. STAMPED ON CONNECTOR REPRESENTS KIT NUMBER WITH CONTACTS
7. UL/CSA DESIGNATION STAMPED IN THIS AREA.

DR 12-9-87 C.C. THOMAS	NAME	AMP INCORPORATED Mortonsville, Pa. 17105
CHK 12-10-87 FC BALLEW III	AMP PART NO.	205416-2
APPD 12-10-87 FC BALLEW III	STEEL PER	ASTM-A-109
APPD 12-10-87 DJM	SHELL MAT'L	PART NO
		205416-1

DO NOT SCALE PRINT. UNLESS SPECIFIED DIMENSIONS IN INCHES TOLERANCES ON: 1. DIMS ± .005 2. PLG DEC ± .005 3. ANGLES ± 0°30'	DR 12-9-87 C.C. THOMAS	NAME	AMP INCORPORATED Mortonsville, Pa. 17105
MATERIAL	CHK 12-10-87 FC BALLEW III	AMP PART NO.	205416-2
SEE CALLOUTS	APPD 12-10-87 FC BALLEW III	STEEL PER	ASTM-A-109
SEE CALLOUTS	APPD 12-10-87 DJM	SHELL MAT'L	PART NO
SEE CALLOUTS			205416-1

FINISH	APPLICATION SPEC	SIZE	FSCM NO.	DRAWING NO.
SEE CALLOUTS		C	00779	205416
	WEIGHT	SCALE		SHEET
		4:1		1 OF 1