



Chipsmall Limited consists of a professional team with an average of over 10 year of expertise in the distribution of electronic components. Based in Hongkong, we have already established firm and mutual-benefit business relationships with customers from,Europe,America and south Asia,supplying obsolete and hard-to-find components to meet their specific needs.

With the principle of “Quality Parts,Customers Priority,Honest Operation,and Considerate Service”,our business mainly focus on the distribution of electronic components. Line cards we deal with include Microchip,ALPS,ROHM,Xilinx,Pulse,ON,Everlight and Freescale. Main products comprise IC,Modules,Potentiometer,IC Socket,Relay,Connector.Our parts cover such applications as commercial,industrial, and automotives areas.

We are looking forward to setting up business relationship with you and hope to provide you with the best service and solution. Let us make a better world for our industry!



## Contact us

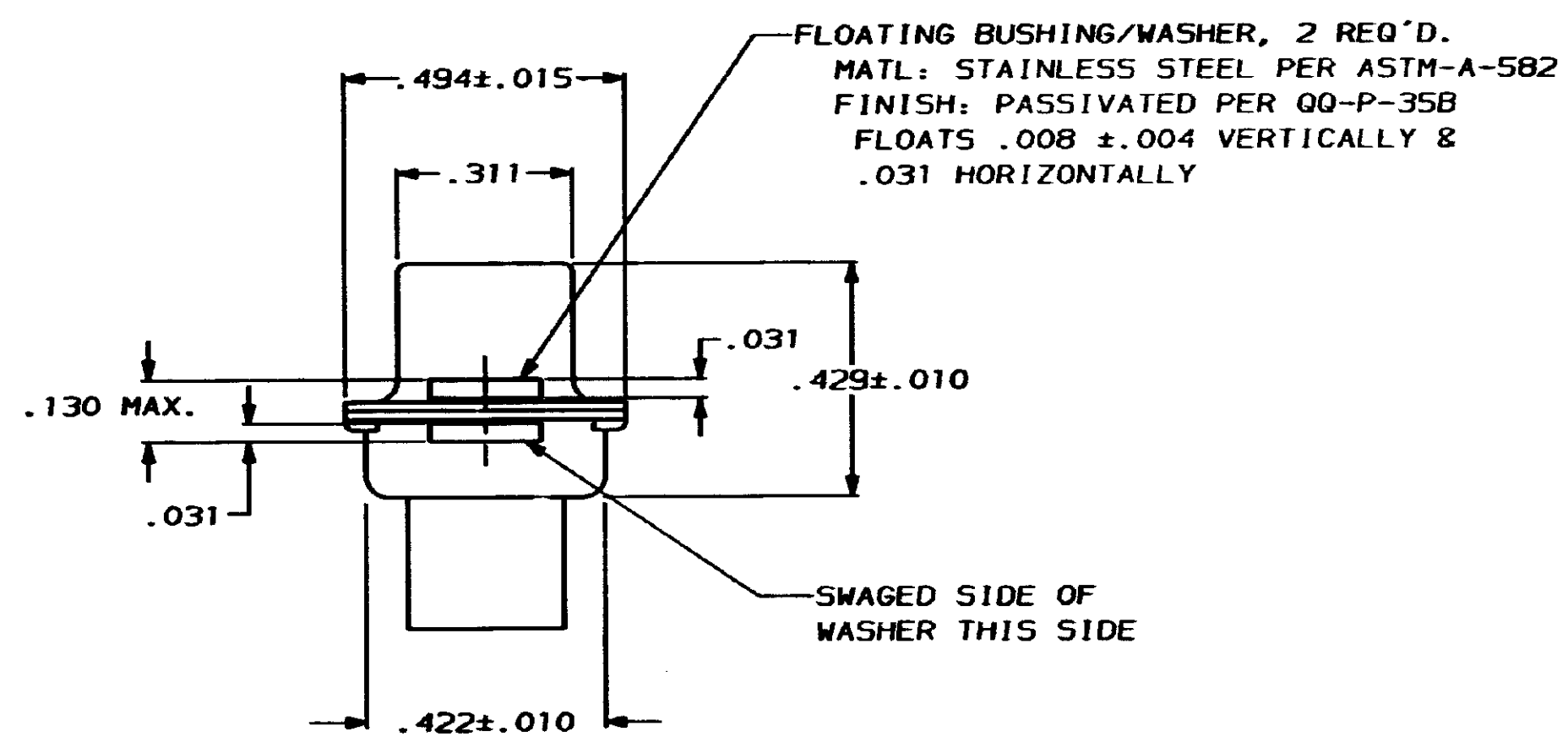
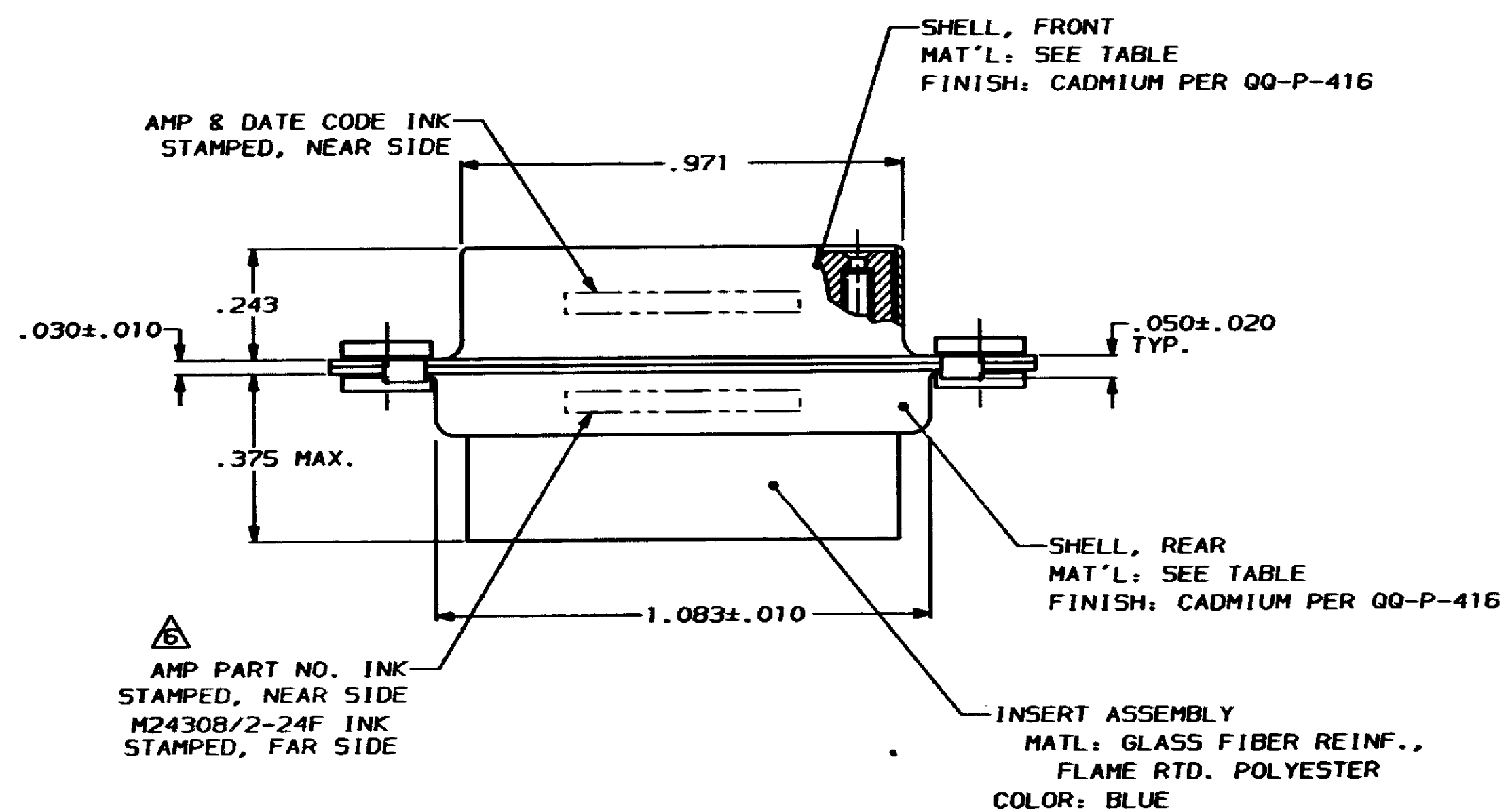
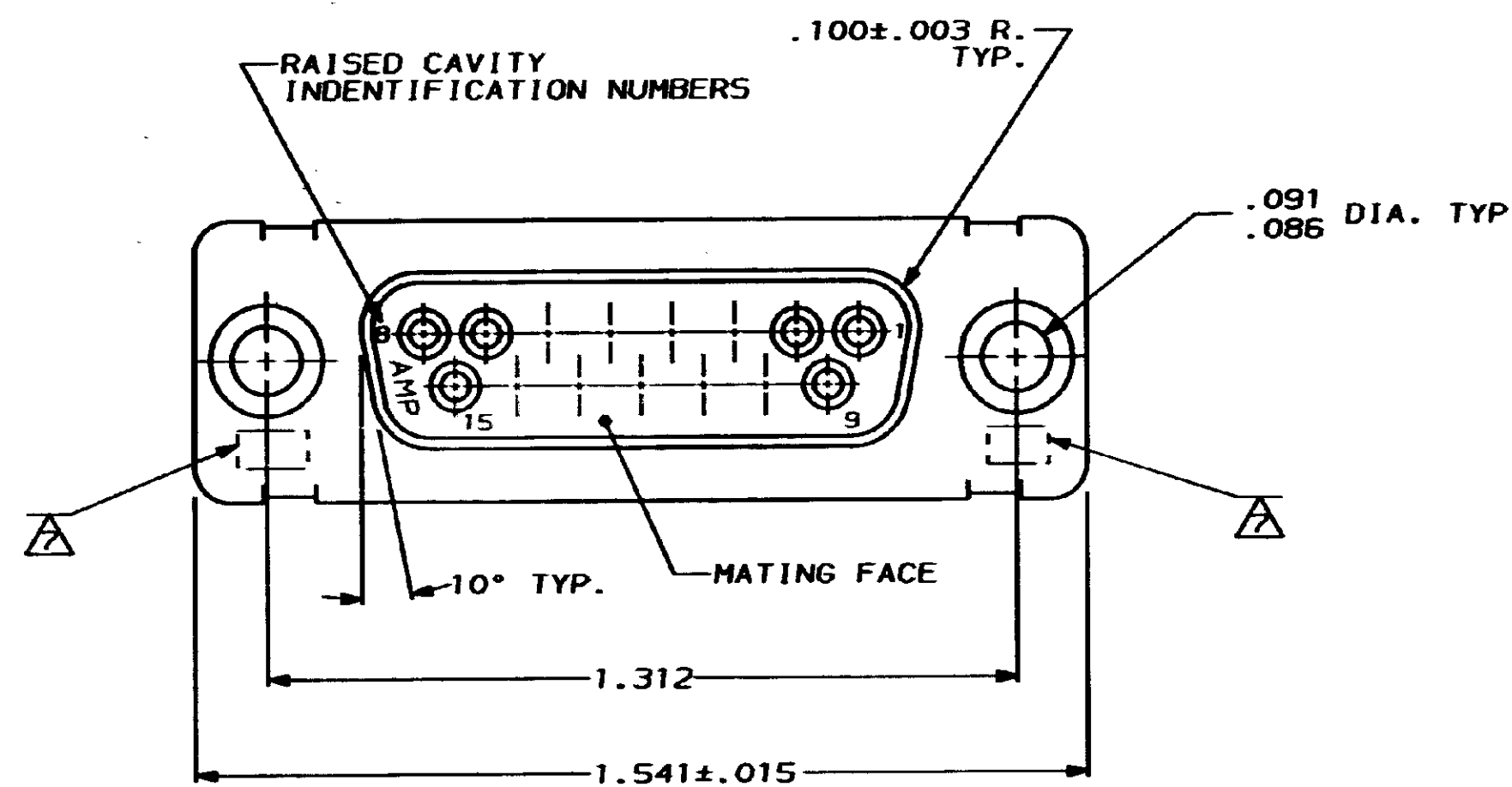
Tel: +86-755-8981 8866 Fax: +86-755-8427 6832

Email & Skype: info@chipsmall.com Web: www.chipsmall.com

Address: A1208, Overseas Decoration Building, #122 Zhenhua RD., Futian, Shenzhen, China



REVISE		DATE		BY		APPROVED	
NO.	DESCRIPTION						
H	REV & REDRAWN, ECN DF-0021 & DF-0160	12-9	87				
J	REV / ECN DF-1034 TM	11-2-88					



- THIS RCPT. IS DESIGNED TO CONFORM TO THE LATEST ISSUE OF MIL-C-24308
  - MAX WIRE INSUL TO BE USED WITH THIS RCPT IS .068 DIA
  - STAINLESS STEEL RETENTION CLIPS ARE INCLUDED IN INSERTS
  - PACKAGE STAMPED M24308/2-293F
  - THIS RCPT. WILL ACCEPT SIZE 20 SOCKET CONTACT M24308/10 OR AMP # 205090
- AMP PART NO. STAMPED ON CONNECTOR REPRESENTS KIT NUMBER WITH CONTACTS  
 UL/CSA DESIGNATION STAMPED IN THIS AREA.

<b>OBSOLETE</b>	BRASS	205417-2
	STEEL PER ASTM-A-109	205417-1
	SHELL MAT'L	PART NO

DO NOT SCALE PRINT. UNLESS SPECIFIED DIMENSIONS IN INCHES TOLERANCES ON: 2 PLC DEC ± .005 3 PLC DEC ± .005 ANGLES ± 0°30'	DR 12-9-87 C.C. THOMAS CHK 12-10-87 FC BALLEW III APPD 12-10-87 FC BALLEW III APPD 12-10-87 DJM	NAME AMPLIMITE RCPT. FOR SOCKET CONTACTS HI-DENSITY "HDM-20" CONNECTOR SIZE 2 (15 POSN) SERIES 109 WITH FLOAT BUSHINGS
SEE CALLOUTS	PRODUCT SPEC	SIZE D
SEE CALLOUTS	APPLICATION SPEC	FSCN NO 00779
	WEIGHT	DRAWING NO 205417
		SCALE 4:1
		SHEET 1 OF 1

CUSTOMER DRAWING