



Chipsmall Limited consists of a professional team with an average of over 10 year of expertise in the distribution of electronic components. Based in Hongkong, we have already established firm and mutual-benefit business relationships with customers from,Europe,America and south Asia,supplying obsolete and hard-to-find components to meet their specific needs.

With the principle of “Quality Parts,Customers Priority,Honest Operation,and Considerate Service”,our business mainly focus on the distribution of electronic components. Line cards we deal with include Microchip,ALPS,ROHM,Xilinx,Pulse,ON,Everlight and Freescale. Main products comprise IC,Modules,Potentiometer,IC Socket,Relay,Connector.Our parts cover such applications as commercial,industrial, and automotives areas.

We are looking forward to setting up business relationship with you and hope to provide you with the best service and solution. Let us make a better world for our industry!



## Contact us

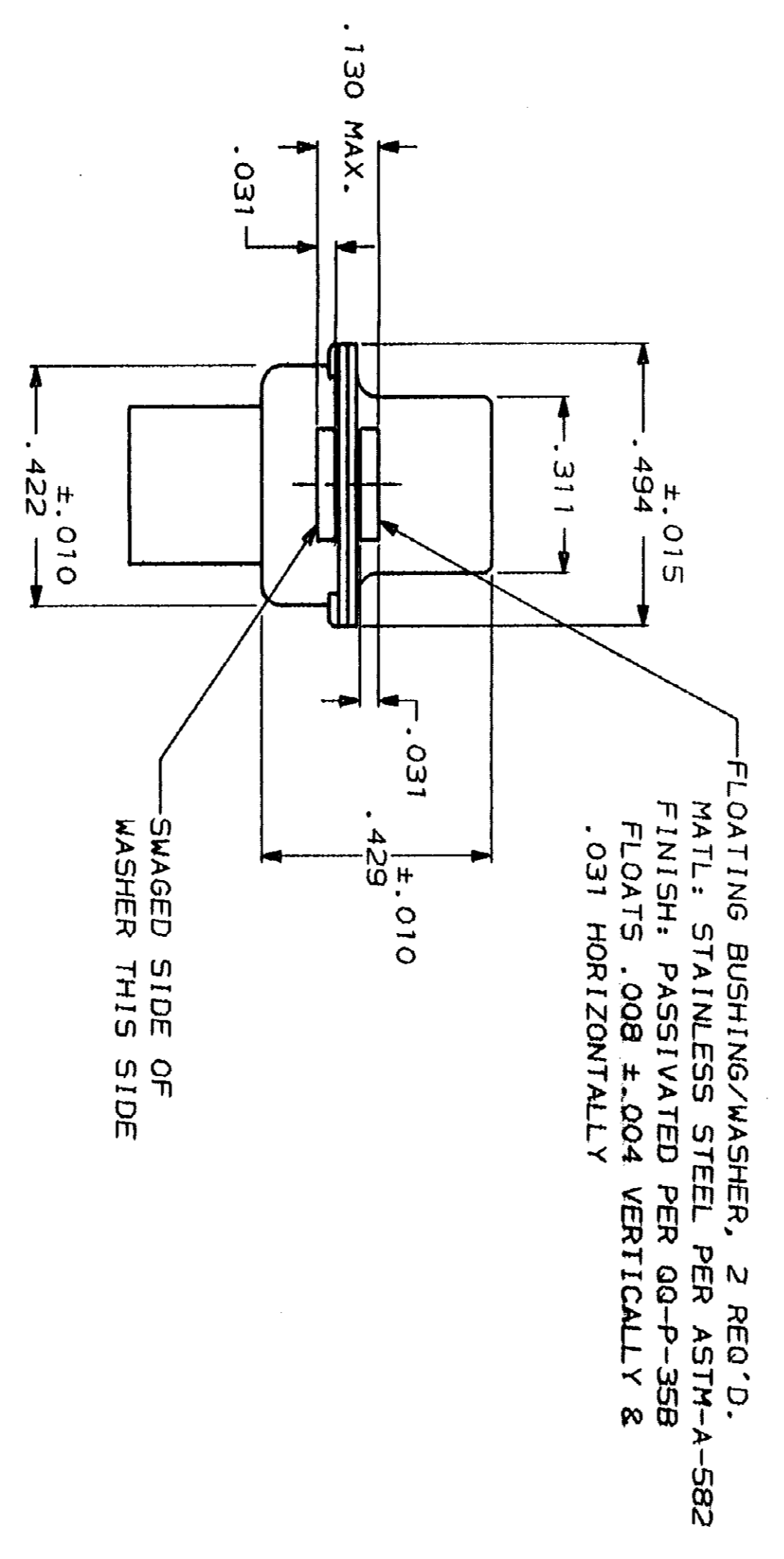
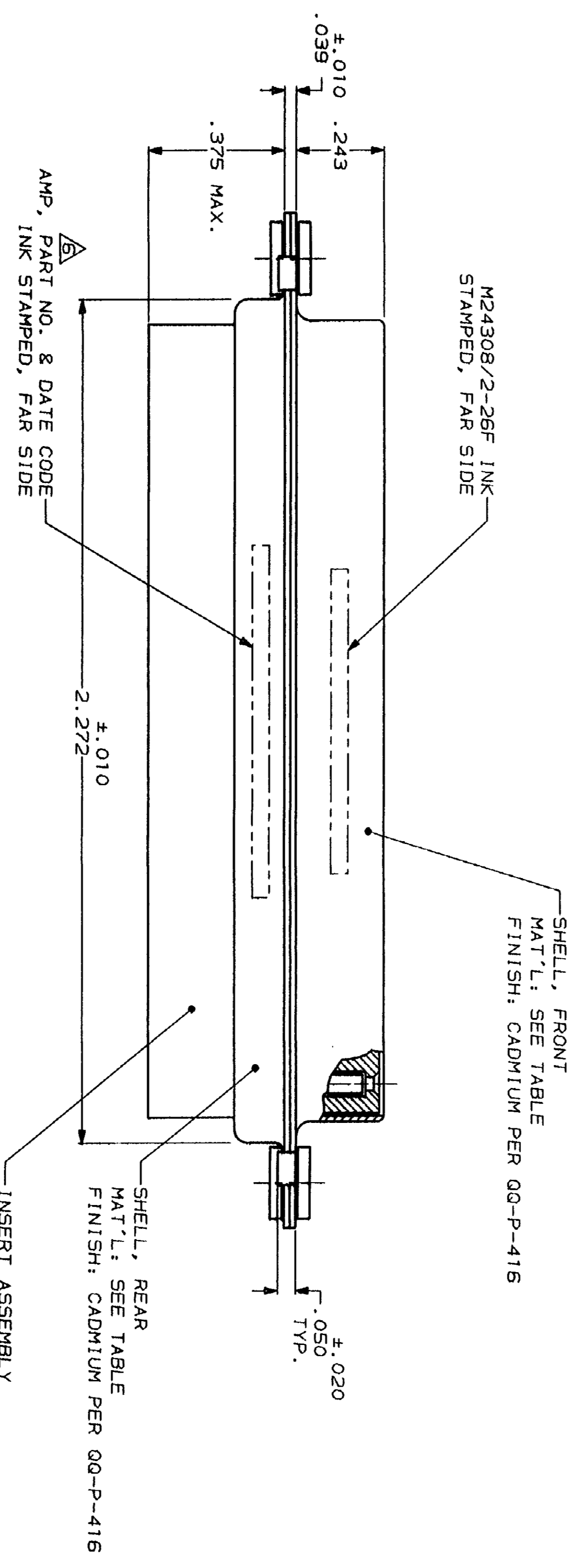
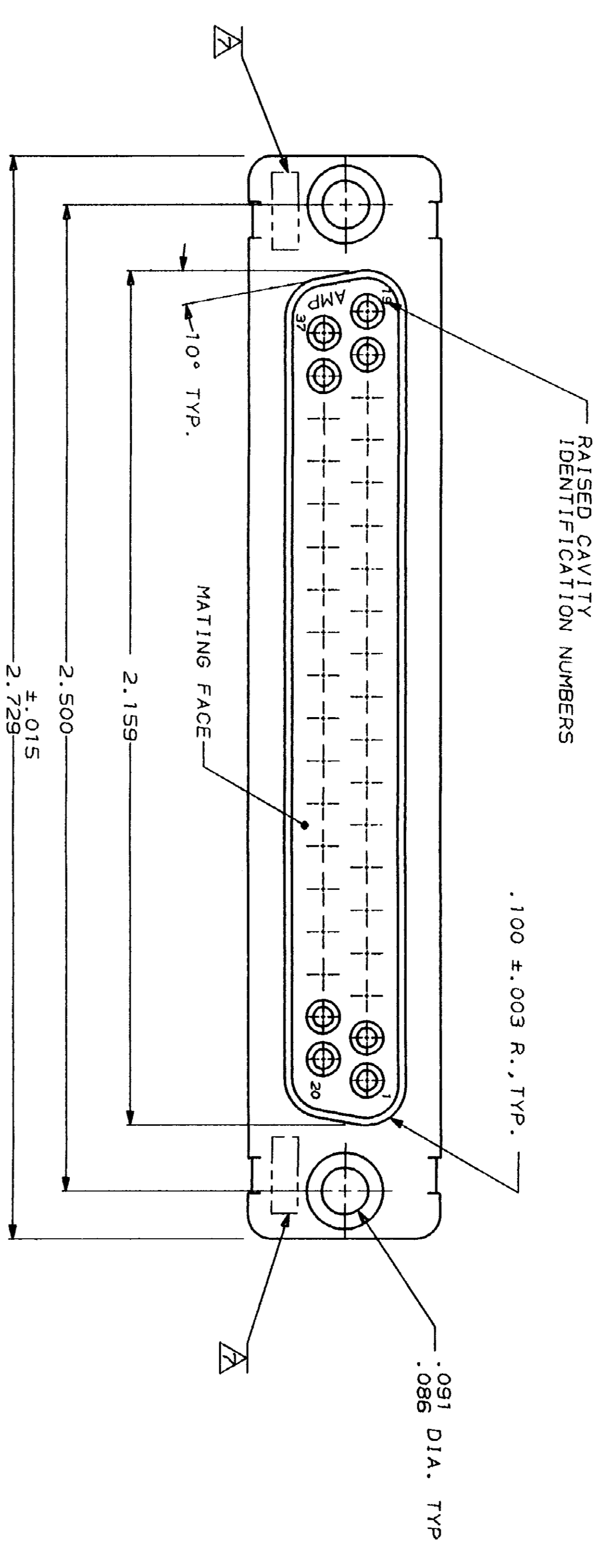
Tel: +86-755-8981 8866 Fax: +86-755-8427 6832

Email & Skype: info@chipsmall.com Web: www.chipsmall.com

Address: A1208, Overseas Decoration Building, #122 Zhenhua RD., Futian, Shenzhen, China



| REV     | DATE | APPD | DESCRIPTION                         |
|---------|------|------|-------------------------------------|
| 12-9    | F8   |      | REV & REMOVAL EON DF-0031 & DF-0160 |
| 87      |      |      | CCT                                 |
| 13-4-88 |      |      | REV EON DF-1034 MC                  |
| 1-2-91  | AE   |      | REV EON DF-3928 PY                  |



1. THIS RCPT. IS DESIGNED TO CONFORM TO THE LATEST ISSUE OF MIL-C-24308
2. MAX WIRE INSUL TO BE USED WITH THIS RCPT IS .068 DIA
3. STAINLESS STEEL RETENTION CLIPS ARE INCLUDED IN INSERTS
4. PACKAGE STAMPED M24308/2-295F
5. THIS RCPT. WILL ACCEPT SIZE 20 SOCKET CONTACT M24308/10 OR AMP # 205090

AMP PART NO. STAMPED ON CONNECTOR REPRESENTS KIT NUMBER WITH CONTACTS  
 UL/CSA DESIGNATION STAMPED IN THIS AREA, OPTIONAL

OBSOLETE

|                      |          |
|----------------------|----------|
| BRASS                | 205419-2 |
| STEEL PER ASTM-A-109 | 205419-1 |
| SHELL MAT'L          | PART NO  |

|                 |                  |                  |
|-----------------|------------------|------------------|
| DR 12-9-87      | NAME             | AMP INCORPORATED |
| C.C. THOMAS     | AMP INCORPORATED | AMP INCORPORATED |
| CHK 12-10-87    | AMP INCORPORATED | AMP INCORPORATED |
| F.C. BULLER III | AMP INCORPORATED | AMP INCORPORATED |
| APPD 12-10-87   | AMP INCORPORATED | AMP INCORPORATED |
| APPD 12-10-87   | AMP INCORPORATED | AMP INCORPORATED |
| D.J.M.          | AMP INCORPORATED | AMP INCORPORATED |

|  |       |         |            |
|--|-------|---------|------------|
| DO NOT SCALE PRINT. UNLESS SPECIFIED DIMENSIONS IN INCHES TOLERANCES ON: 1. DIMENSIONS .005 2. PLG DEC ±.005 3. ANGLES ±.030 | SIZE  | PSCH NO | DRAWING NO |
| SEE CALLOUTS   | D     | 00779   | 205419     |
| SEE CALLOUTS   | SCALE | 4:1     | SHEET      |

|                  |        |
|------------------|--------|
| APPLICATION SPEC | 1 OF 1 |
|------------------|--------|