



Chipsmall Limited consists of a professional team with an average of over 10 year of expertise in the distribution of electronic components. Based in Hongkong, we have already established firm and mutual-benefit business relationships with customers from,Europe,America and south Asia,supplying obsolete and hard-to-find components to meet their specific needs.

With the principle of "Quality Parts,Customers Priority,Honest Operation,and Considerate Service",our business mainly focus on the distribution of electronic components. Line cards we deal with include Microchip,ALPS,ROHM,Xilinx,Pulse,ON,Everlight and Freescale. Main products comprise IC,Modules,Potentiometer,IC Socket,Relay,Connector.Our parts cover such applications as commercial,industrial, and automotives areas.

We are looking forward to setting up business relationship with you and hope to provide you with the best service and solution. Let us make a better world for our industry!



## Contact us

Tel: +86-755-8981 8866 Fax: +86-755-8427 6832

Email & Skype: info@chipsmall.com Web: www.chipsmall.com

Address: A1208, Overseas Decoration Building, #122 Zhenhua RD., Futian, Shenzhen, China

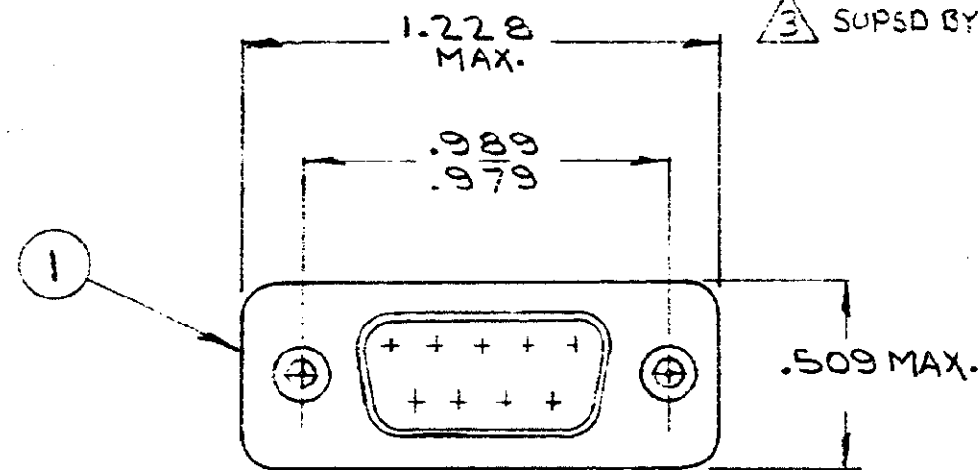


© 1971 BY AMP INCORPORATED. ALL RIGHTS RESERVED. AMP PRODUCTS COVERED BY PATENTS AND/OR PATENTS PENDING.

Unpublished copy not to be reproduced nor published without written permission of AMP Incorporated

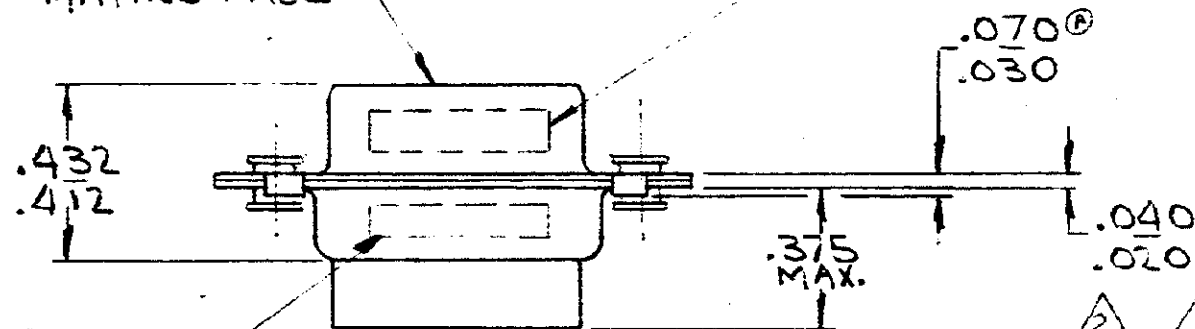
- 1 APPROPRIATE MIL. P/N (KIT) IS MARKED ON PACKAGE
- 2 SUPSD BY 205486-2 & 91067-2
- 3 SUPSD BY 205412-1 & 91067-2

REVISIONS				
ZONE	LTR	DESCRIPTION	DATE	APPROVED
A		REV. PER ECN B-774	3/15/71	FAB
B		REV PER ECN 5-13-71	5/13/71	
C		2-V PER ECN D-511	5/13/71	
D		REV PER ECN 5-13-71	5/13/71	
E		REV PER ECN DF-0021:DF-0462 R2676	1-13-88	CSM
F		REV PER ECN DF-5118	12-19-91	FK
G		ECO-08-023688	PY 11-08	BW

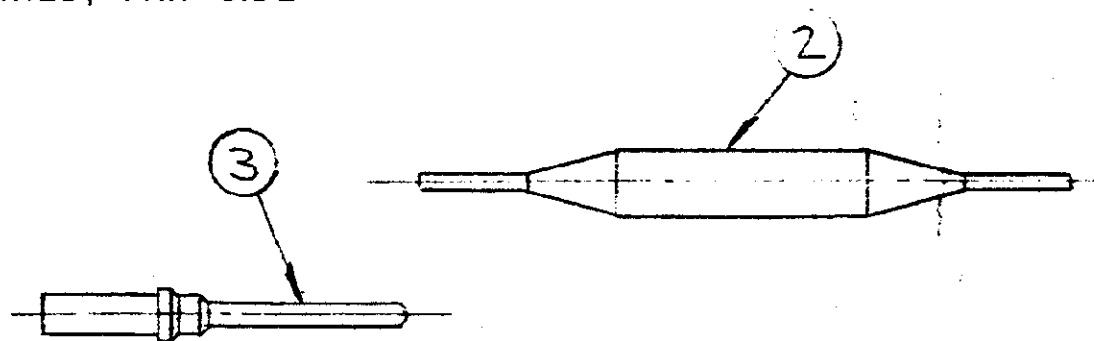


MFG'S NAME, BRAND, OR LOGO AND DATE CODE, NEAR SIDE

MATING FACE



MILITARY P/N M24308/4-302 F MARKED, FAR SIDE



QTY	SIZE	DESCRIPTION	ITEM NO.
9	9	B 205089-1 CONTACT, PIN - SIZE 20	3
1	1	B 91067-1 INSERTION / EXTRACTION TOOL	2
1	1	B 205412-1 PLUG ASSY - SIZE #1	1
3	2	1 DWG NUMBER NAME	

UNLESS OTHERWISE SPECIFIED DIMENSIONS ARE IN INCHES TOLERANCES ON: DECIMALS ± .005 ANGLES ± .5°	CONTRACT NO.	AMP INCORPORATED HARRISBURG, PENNSYLVANIA	
	DR. <i>5/14/71</i>	NAME KIT, "HDM" SERIES, PLUG, SIZE #1	
MATERIAL	APP. <i>5/13/71</i>	SIZE B	CODE IDENT NO. 00779
	REL. <i>5/13/71</i>	NUMBER	205486
	DSGN APPD	REV	G
	OTHER APPD	SCALE <i>H</i>	SHEET 1 OF 1

FJDO 4770117