



Chipsmall Limited consists of a professional team with an average of over 10 year of expertise in the distribution of electronic components. Based in Hongkong, we have already established firm and mutual-benefit business relationships with customers from,Europe,America and south Asia,supplying obsolete and hard-to-find components to meet their specific needs.

With the principle of “Quality Parts,Customers Priority,Honest Operation,and Considerate Service”,our business mainly focus on the distribution of electronic components. Line cards we deal with include Microchip,ALPS,ROHM,Xilinx,Pulse,ON,Everlight and Freescale. Main products comprise IC,Modules,Potentiometer,IC Socket,Relay,Connector.Our parts cover such applications as commercial,industrial, and automotives areas.

We are looking forward to setting up business relationship with you and hope to provide you with the best service and solution. Let us make a better world for our industry!



Contact us

Tel: +86-755-8981 8866 Fax: +86-755-8427 6832

Email & Skype: info@chipsmall.com Web: www.chipsmall.com

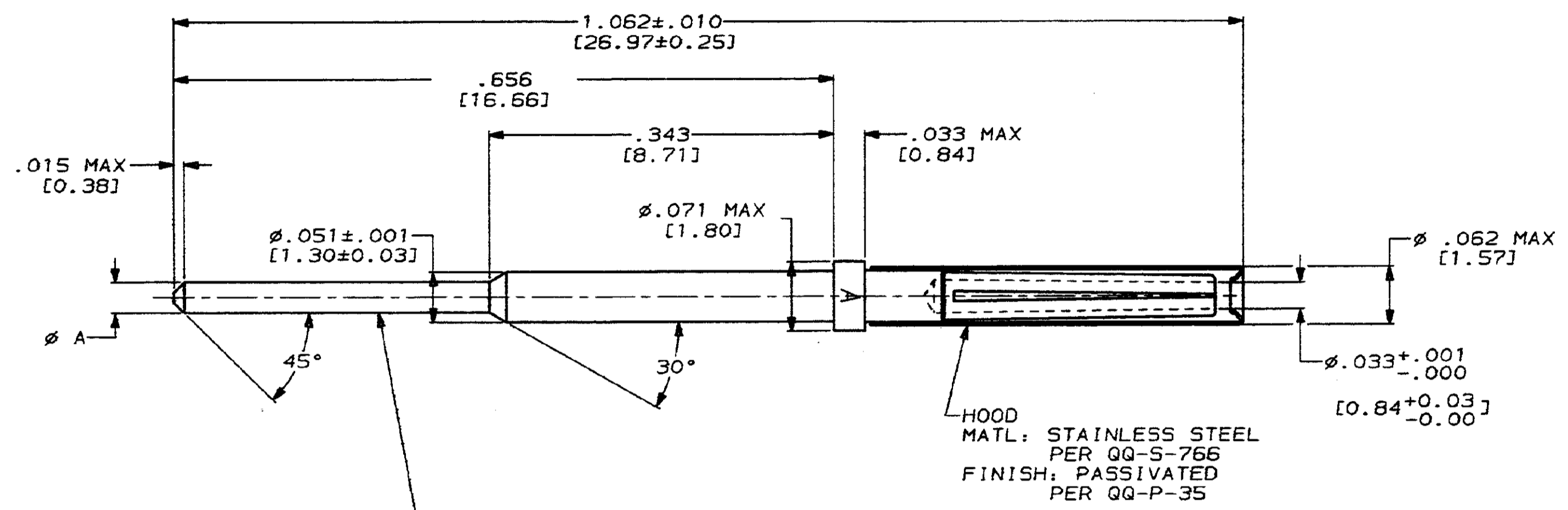
Address: A1208, Overseas Decoration Building, #122 Zhenhua RD., Futian, Shenzhen, China



DRAWING MADE IN THIRD ANGLE PROJECTION

THIS DRAWING IS UNPUBLISHED. RELEASED FOR PUBLICATION . IS .
 © COPYRIGHT 19 BY AMP INCORPORATED. ALL INTERNATIONAL RIGHTS RESERVED.

PROJ	LOC	DIST	ZONE	LTR	REVISIONS	DATE	APPO
4971	DF	AO	J		REV & REDRAWN PER DF-4578	CT 7-91	AS



SOCKET BODY
 MAT'L: LEADED COPPER PER QQ-B-626
 FINISH: PLATED GOLD .000050 MIN
 THK PER MIL-G-45204 OVER NICKEL
 .000050 MIN THK PER QQ-N-290

HOOD
 MATL: STAINLESS STEEL
 PER QQ-S-766
 FINISH: PASSIVATED
 PER QQ-P-35

.023 ± .001 [0.58 ± 0.03]	205544-2
.031 ± .001 [0.79 ± 0.03]	205544-1
A DIM	PART NO.

DO NOT SCALE PRINT. UNLESS SPECIFIED DIMENSIONS IN INCHES [mm] TOLERANCES ON: 2 PLC DEC ± - 3 PLC DEC ± .005 [0.13] ANGLES ± 2°	DR 5-7-91 C.C. THOMAS CHK 7-23-91 A. SHARPE APPD 7-23-91 A. SHARPE APPD 7-23-91 C. THOMAS PRODUCT SPEC - APPLICATION SPEC - WEIGHT -	AMP AMP Incorporated Harrisburg, PA 17105-3608
SEE CALLOUTS	NAME ASSY, SOCKET CONTACT, SIZE 22 ARINC 404 (SPECIAL)	SIZE C CAGE CODE 00779 DRAWING NO 205544
SEE CALLOUTS	SCALE 10:1	SHEET 1 OF 1

205544

CUSTOMER DRAWING