



Chipsmall Limited consists of a professional team with an average of over 10 year of expertise in the distribution of electronic components. Based in Hongkong, we have already established firm and mutual-benefit business relationships with customers from,Europe,America and south Asia,supplying obsolete and hard-to-find components to meet their specific needs.

With the principle of “Quality Parts,Customers Priority,Honest Operation,and Considerate Service”,our business mainly focus on the distribution of electronic components. Line cards we deal with include Microchip,ALPS,ROHM,Xilinx,Pulse,ON,Everlight and Freescale. Main products comprise IC,Modules,Potentiometer,IC Socket,Relay,Connector.Our parts cover such applications as commercial,industrial, and automotives areas.

We are looking forward to setting up business relationship with you and hope to provide you with the best service and solution. Let us make a better world for our industry!



Contact us

Tel: +86-755-8981 8866 Fax: +86-755-8427 6832

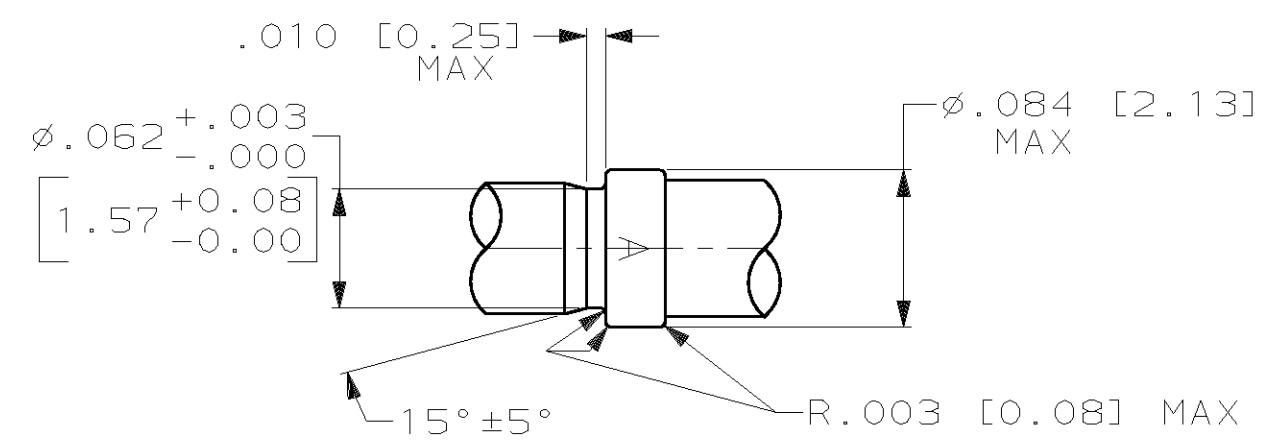
Email & Skype: info@chipsmall.com Web: www.chipsmall.com

Address: A1208, Overseas Decoration Building, #122 Zhenhua RD., Futian, Shenzhen, China

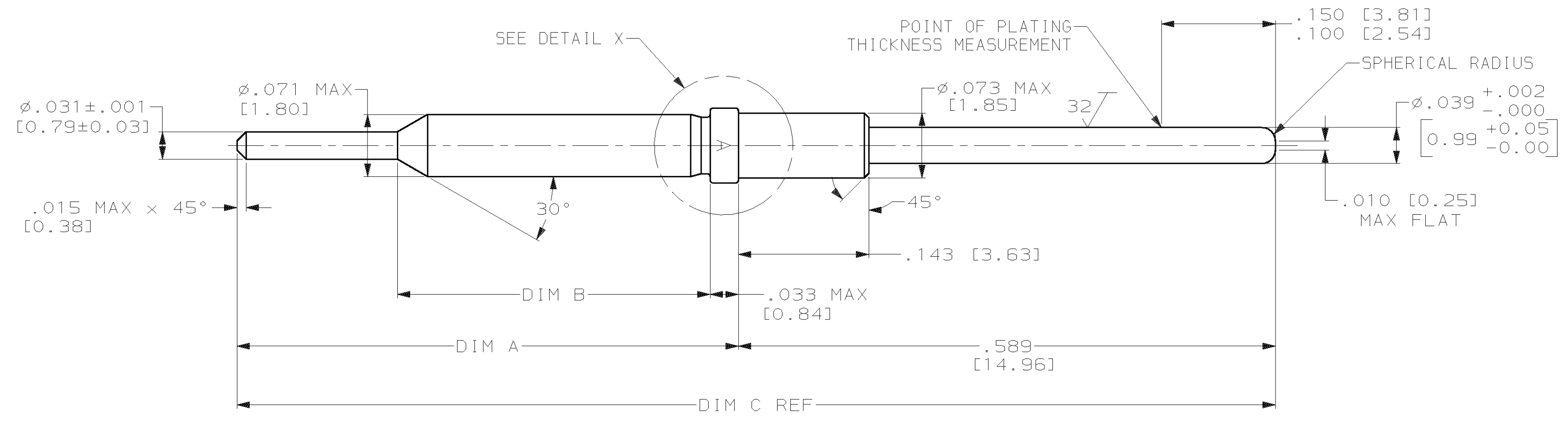


THIS DRAWING IS UNPUBLISHED. RELEASED FOR PUBLICATION
 (C) COPYRIGHT 19 BY AMP INCORPORATED. ALL RIGHTS RESERVED.

LOC		DIST		REVISIONS			
P	LTR	DESCRIPTION		DATE	DWN	APVD	
E		REV & REDRAWN PER OG3D-0336-01		7-01	CT	JM	



DETAIL X
SCALE 10:1



1.164 [29.57]	368 [9.35]	.575 [14.61]	205547-3
1.139 [28.93]	.343 [8.71]	.550 [13.97]	205547-2
DIM C	DIM B	DIM A	PART NUMBER

THIS DRAWING IS A CONTROLLED DOCUMENT.		DWN	C.C. THOMAS	7-23-01	TYCO Electronics Corporation Harrisburg, PA 17105-3608
DIMENSIONS: INCHES [mm]		CHK	J. MARKEY	7-23-01	
		APVD	J. MARKEY	7-23-01	
TOLERANCES UNLESS OTHERWISE SPECIFIED: 0 PLC ± 1 PLC ± 2 PLC ± 3 PLC ±.005 [0.13] 4 PLC ± ANGLES ±2°		PRODUCT SPEC	NAME		
MATERIAL	LEADED COPPER	FINISH	GOLD PER MIL-G-45204 OVER NICKEL PER QQ-N-290		APPLICATION SPEC
		WEIGHT	-		SIZE
		CUSTOMER DRAWING	SCALE 10:1		CAGE CODE
			A2 00779		DRAWING NO
			C-205547		RESTRICTED TO
			SHEET 1 OF 1		REV E